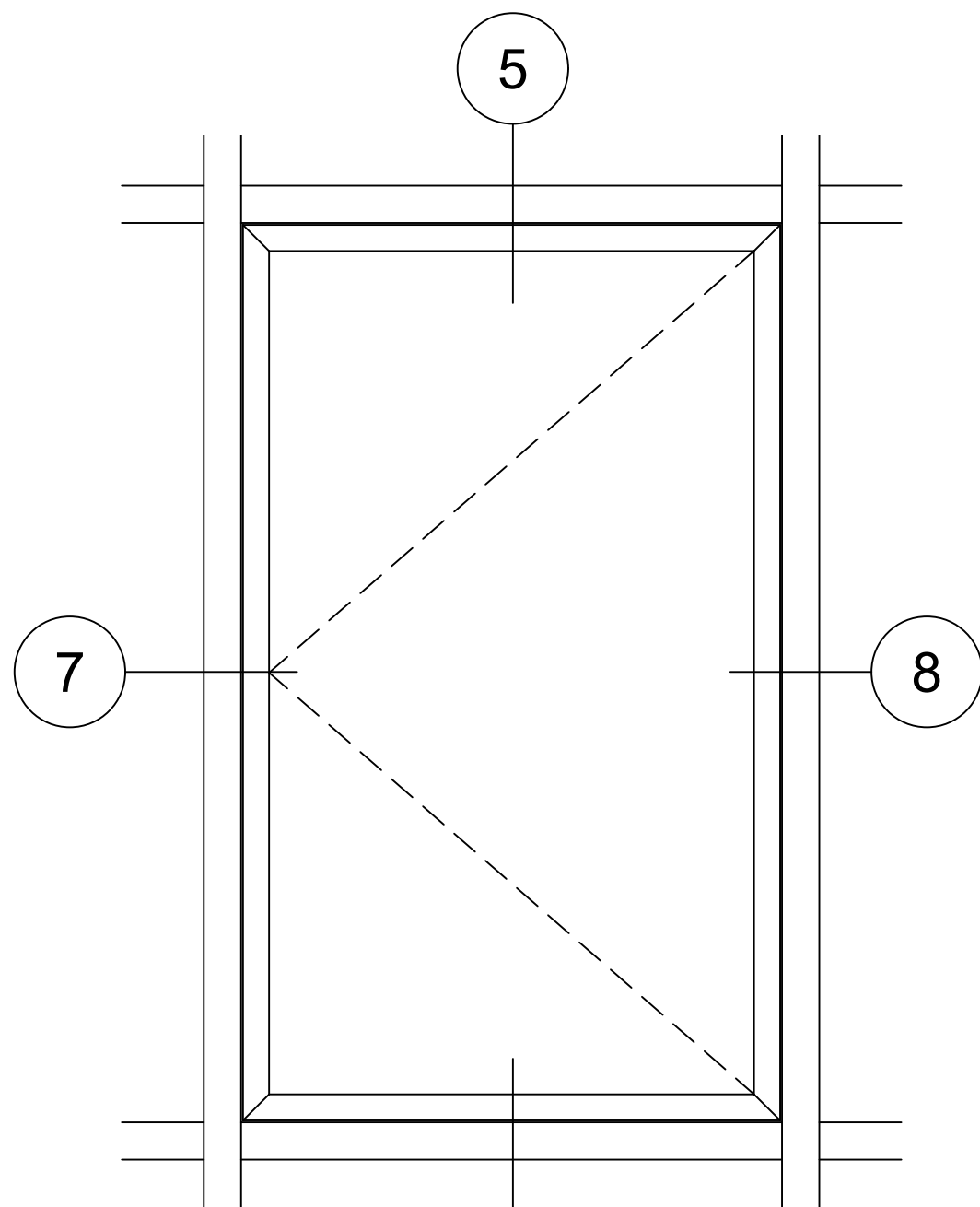


TYPICAL ELEVATION  
BUTT HINGE / CAMS  
WITH OPTIONAL SCREEN



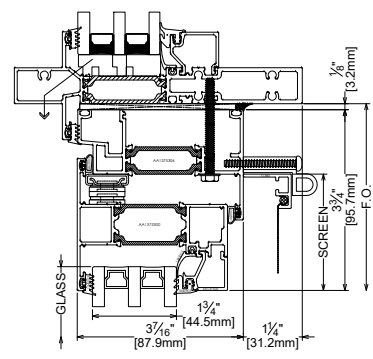
TYPICAL ELEVATION  
BUTT HINGE / ROTO-MPL  
WITH OPTIONAL SCREEN

# 1375 SERIES INSERT VENT TRIPLE GLAZED

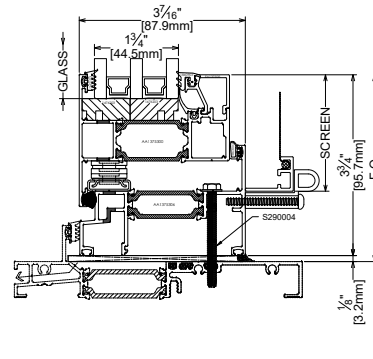
CASEMENT LHR

## 2900, 2970, 2990 SERIES WINDOW INSTALLATION

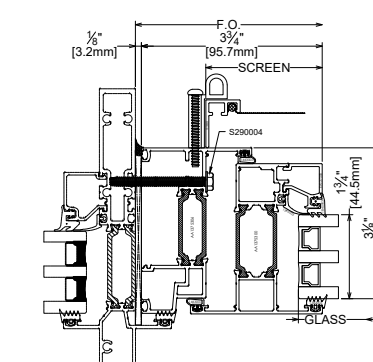
INTEGRATION TO 2970 SERIES SHOWN.  
2900 & 2990 SIMILAR



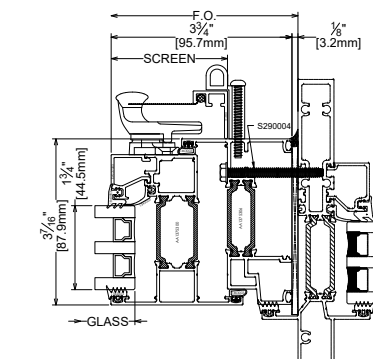
1  
THPO HEAD



2  
THPO SILL



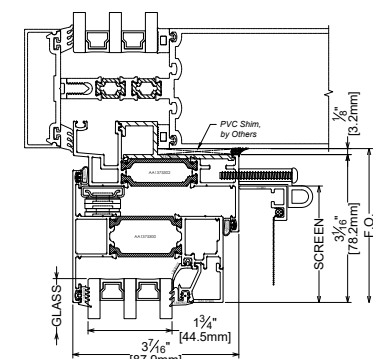
3  
THPO LEFT JAMB



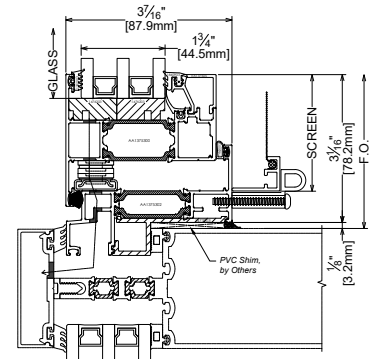
4  
THPO RIGHT JAMB

## CURTAIN WALL INSTALLATION

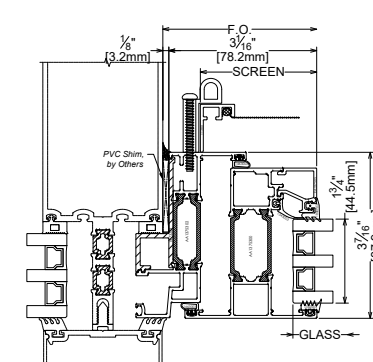
INTEGRATION TO 2900 SERIES SHOWN.  
2900, TW2200, XTRM2900, SM2900 SIMILAR



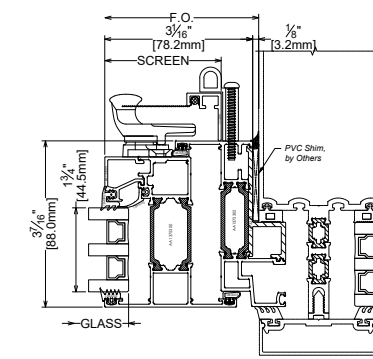
1B  
THPO HEAD



2B  
THPO SILL



3B  
THPO LEFT JAMB

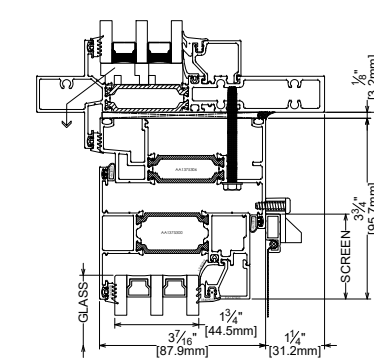


4B  
THPO RIGHT JAMB

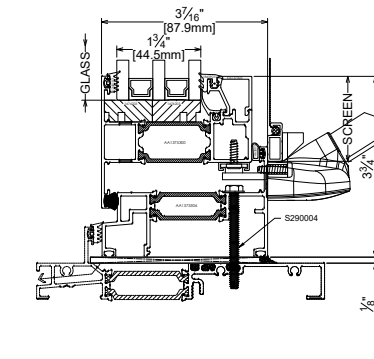
4-BAR / CAMS

## 2900, 2970, 2990 SERIES WINDOW INSTALLATION

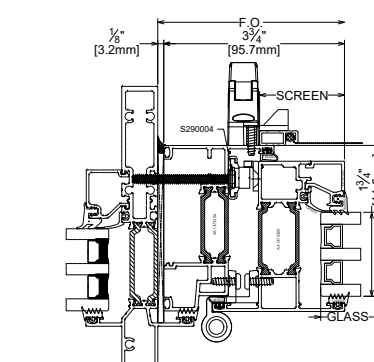
INTEGRATION TO 2970 SERIES SHOWN.  
2900 & 2990 SIMILAR



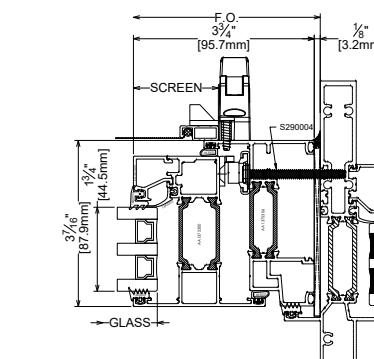
5  
THPO HEAD



6  
THPO SILL



7  
THPO LEFT JAMB

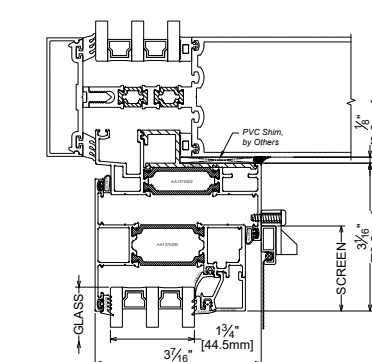


8  
THPO RIGHT JAMB

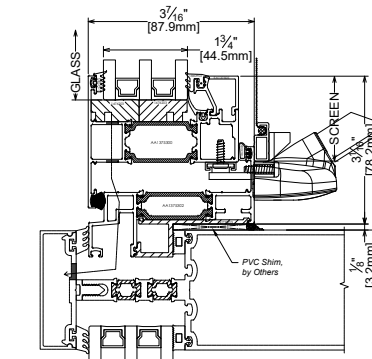
4-BAR / ROTO-MPL

## CURTAIN WALL INSTALLATION

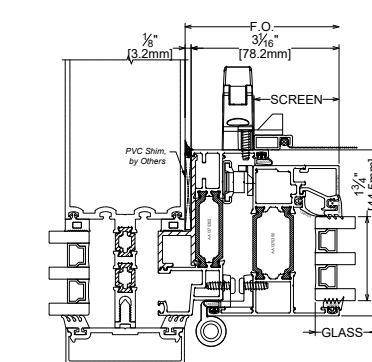
INTEGRATION TO 2900 SERIES SHOWN.  
2900, TW2200, XTRM2900, SM2900 SIMILAR



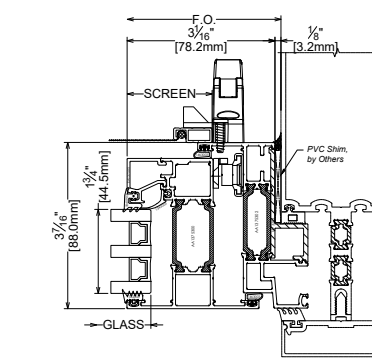
5A  
THPO HEAD



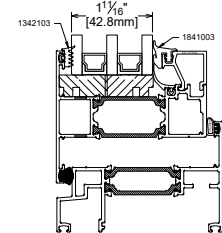
6A  
THPO SILL



7A  
THPO LEFT JAMB



8A  
THPO RIGHT JAMB



### OPTIONAL GLAZING

GLASS SHOWN DOES NOT NECESSARILY REPRESENT FINAL CONFIGURATION.  
CONSULT GLASS MANUFACTURER FOR SPECIFIC GLASS MAKE UP.



LAST REVISED: 12/10/25