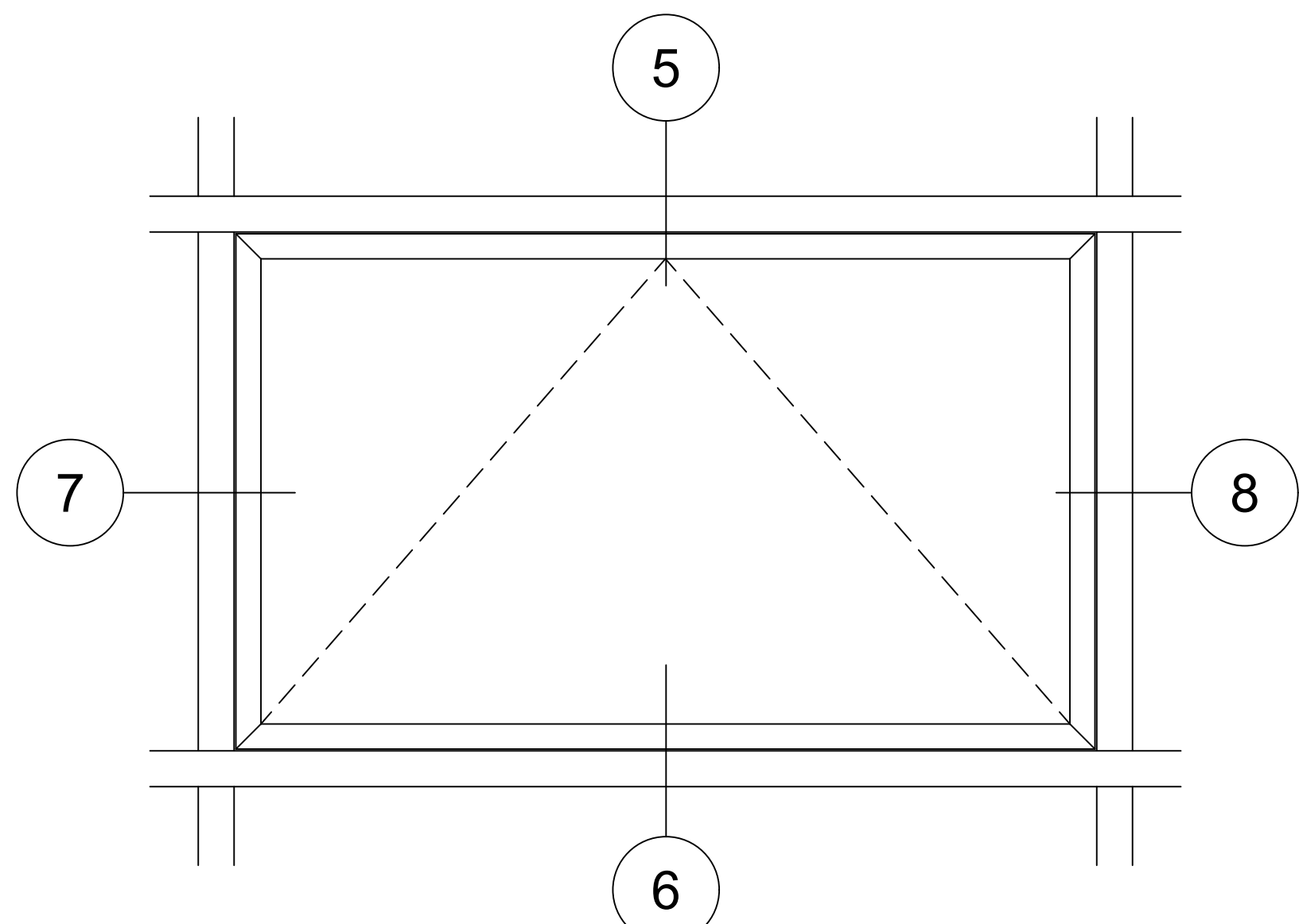
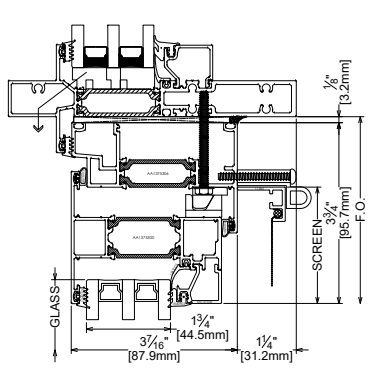


TYPICAL ELEVATION  
4-BAR / CAMS  
WITH OPTIONAL SCREEN

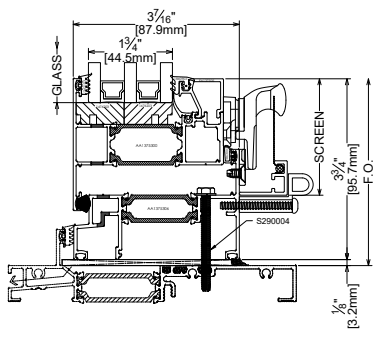


TYPICAL ELEVATION  
4-BAR / ROTO-MPL  
WITH OPTIONAL SCREEN

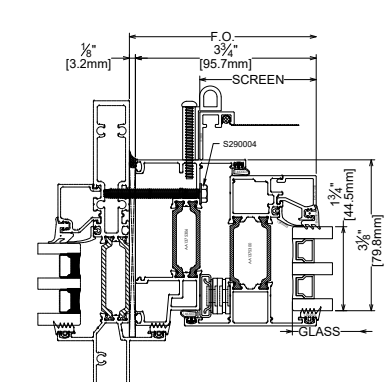
2900, 2970, 2990 SERIES  
WINDOW INSTALLATION  
INTEGRATION TO 2970 SERIES SHOWN.  
2900 & 2990 SIMILAR



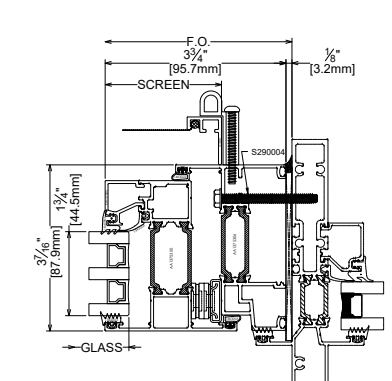
1  
THPO HEAD



2  
THPO SILL

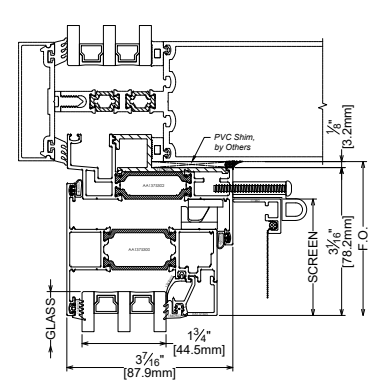


3  
THPO LEFT JAMB

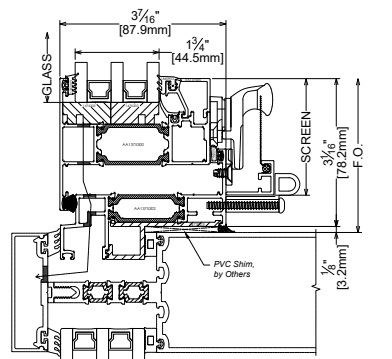


4  
THPO RIGHT JAMB

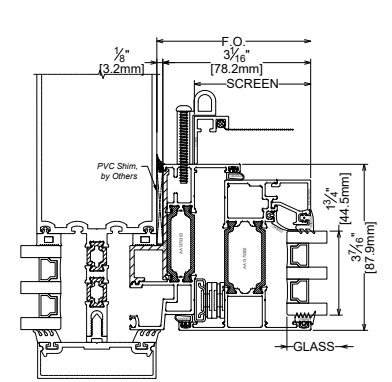
CURTAIN WALL  
INSTALLATION  
INTEGRATION TO 2900 SERIES SHOWN.  
2900, TW2200, XTRM2900, SM2900 SIMILAR



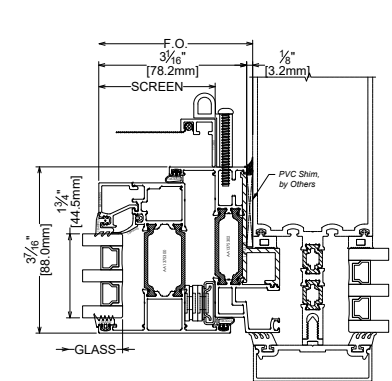
1B  
THPO HEAD



2B  
THPO SILL

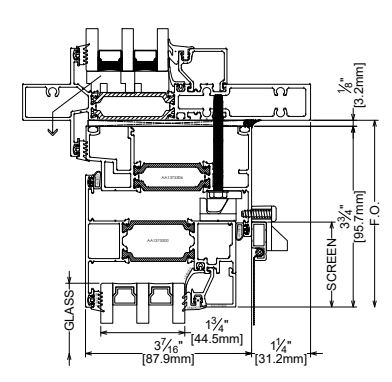


3B  
THPO LEFT JAMB

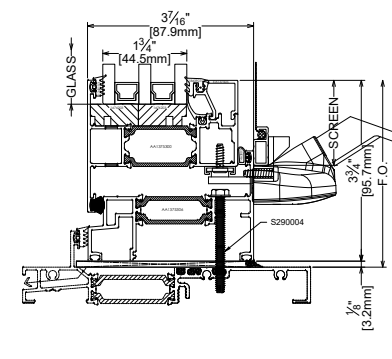


4B  
THPO RIGHT JAMB

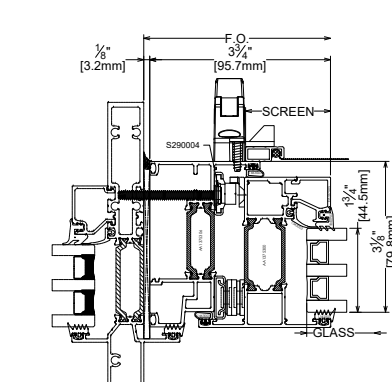
2900, 2970, 2990 SERIES  
WINDOW INSTALLATION  
INTEGRATION TO 2970 SERIES SHOWN.  
2900 & 2990 SIMILAR



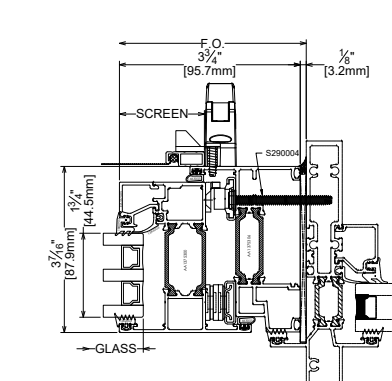
5  
THPO HEAD



6  
THPO SILL

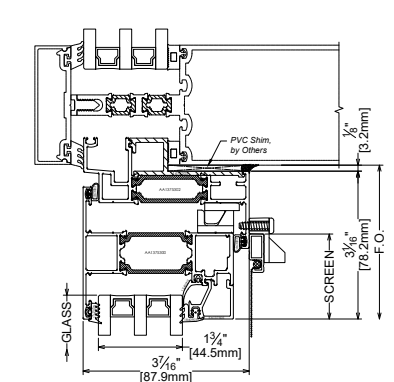


7  
THPO LEFT JAMB

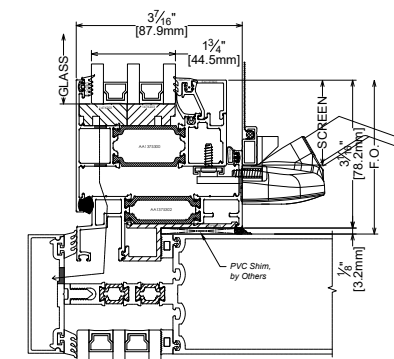


8  
THPO RIGHT JAMB

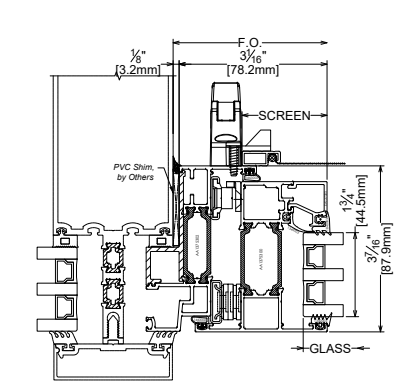
CURTAIN WALL  
INSTALLATION  
INTEGRATION TO 2900 SERIES SHOWN.  
2900, TW2200, XTRM2900, SM2900 SIMILAR



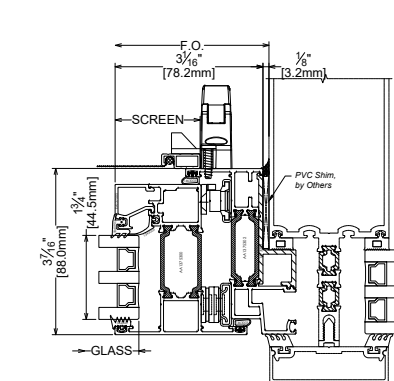
5A  
THPO HEAD



6A  
THPO SILL



7A  
THPO LEFT JAMB



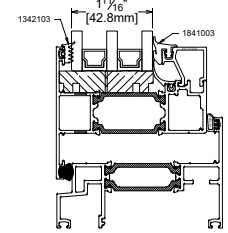
8A  
THPO RIGHT JAMB

4-BAR / CAMS

4-BAR / ROTO-MPL

1375 SERIES INSERT VENT  
TRIPLE GLAZED

AWNING



OPTIONAL GLAZING

GLASS SHOWN DOES NOT NECESSARILY REPRESENT FINAL CONFIGURATION.  
CONSULT GLASS MANUFACTURER FOR SPECIFIC GLASS MAKE UP.



LAST REVISED: 12/10/25