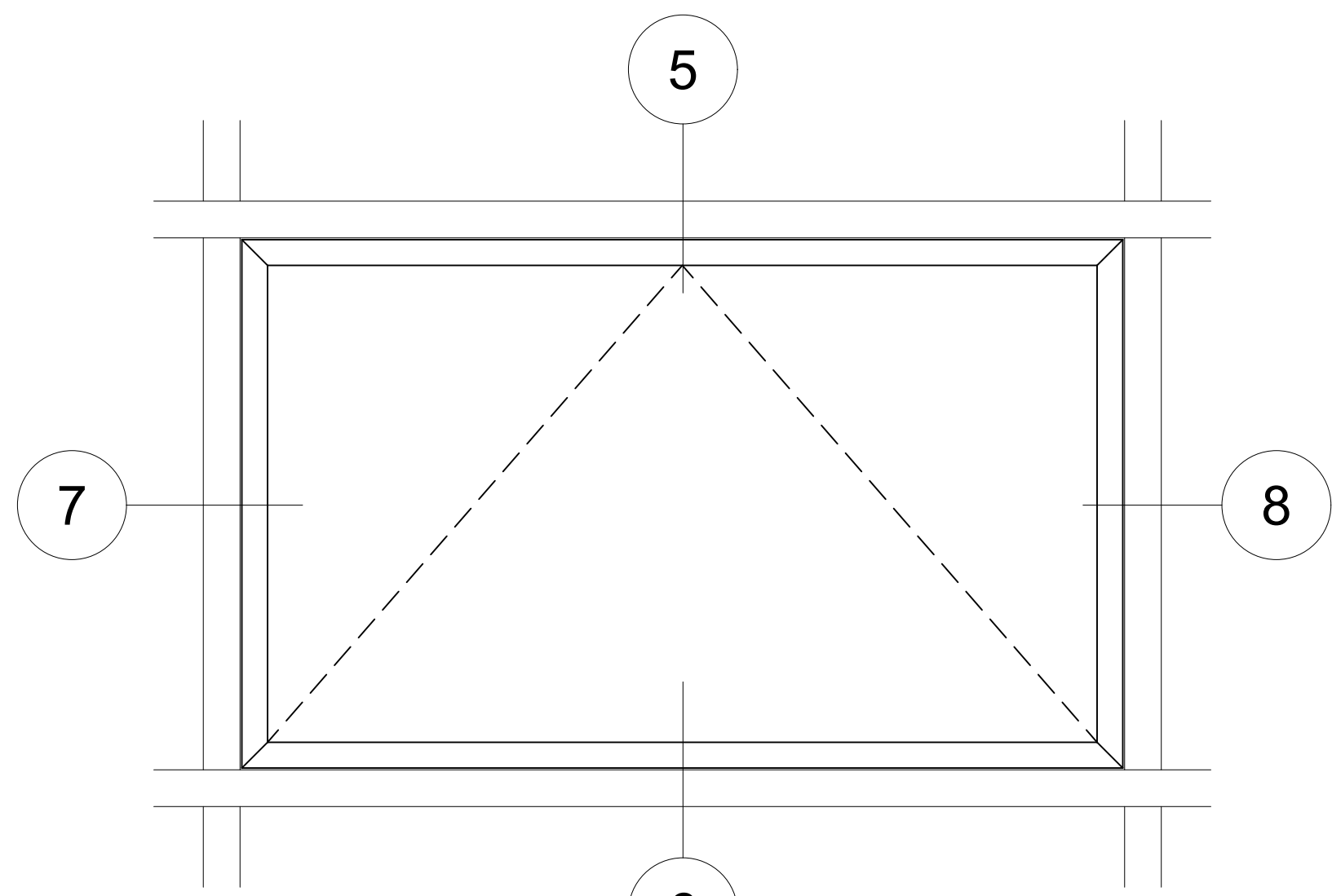
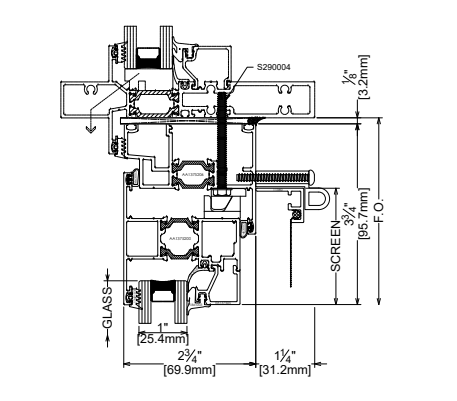


TYPICAL ELEVATION  
4-BAR / CAMS  
WITH OPTIONAL SCREEN

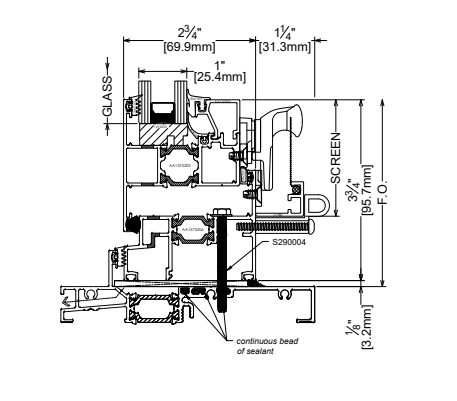


TYPICAL ELEVATION  
4-BAR / ROTO-MPL  
WITH OPTIONAL SCREEN

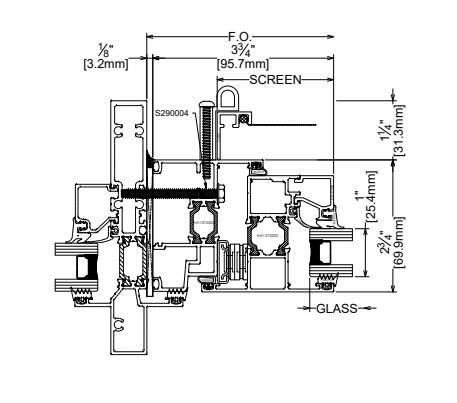
2900, 2970, 2990 SERIES  
WINDOW INSTALLATION  
INTEGRATION TO 2970 SERIES SHOWN.  
2900 & 2990 SIMILAR.



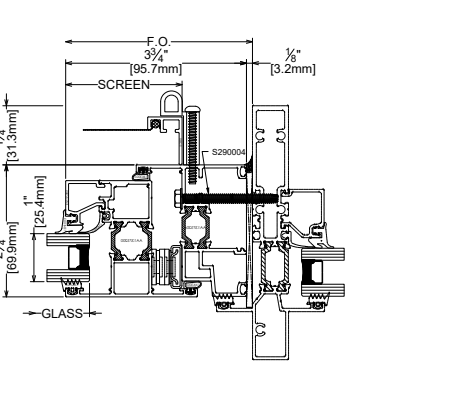
1  
HEAD  
EQUAL LEG INSTALLATION



2  
SILL  
EQUAL LEG INSTALLATION

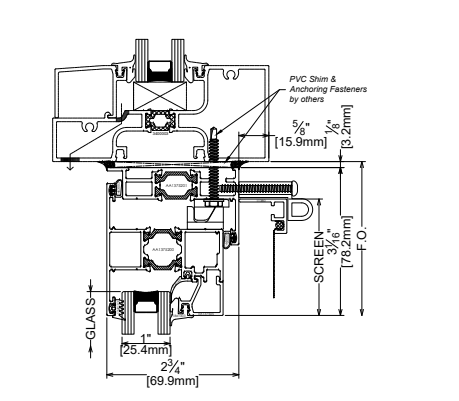


3  
JAMB  
EQUAL LEG INSTALLATION

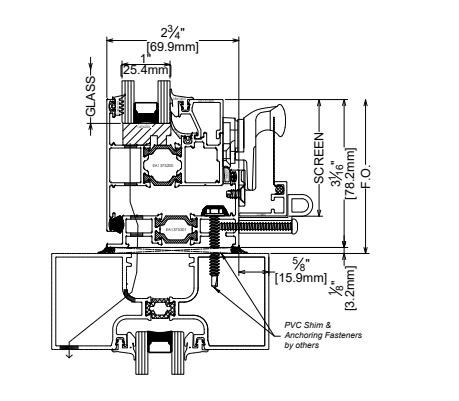


4  
JAMB  
EQUAL LEG INSTALLATION

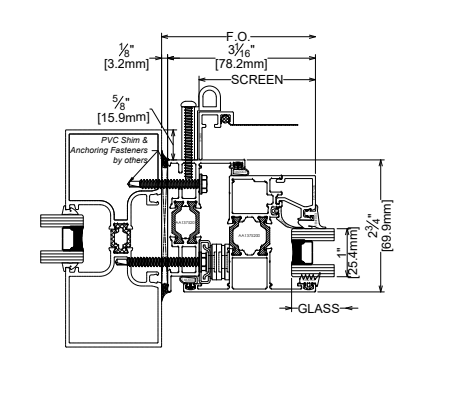
STOREFRONT INSTALLATION



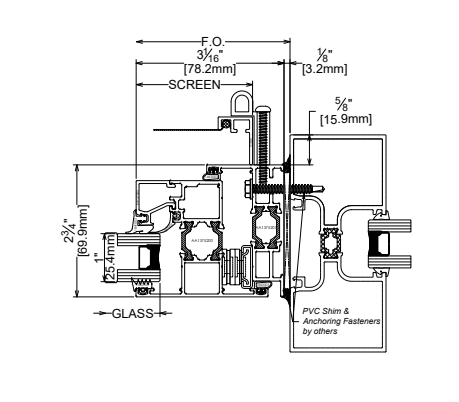
1A  
HEAD  
STOREFRONT INSTALLATION



2A  
SILL  
STOREFRONT INSTALLATION

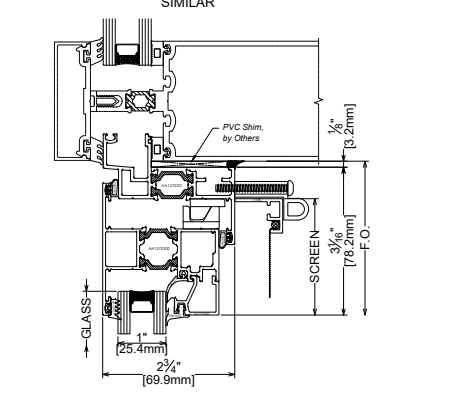


3A  
JAMB  
STOREFRONT INSTALLATION

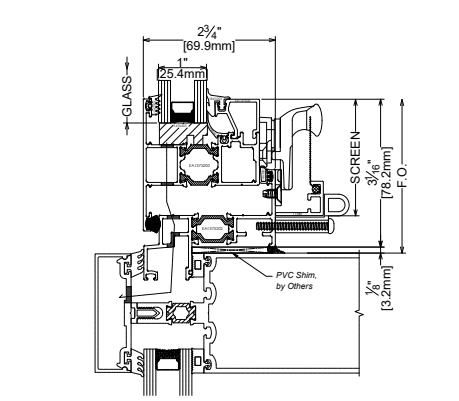


4A  
JAMB  
STOREFRONT INSTALLATION

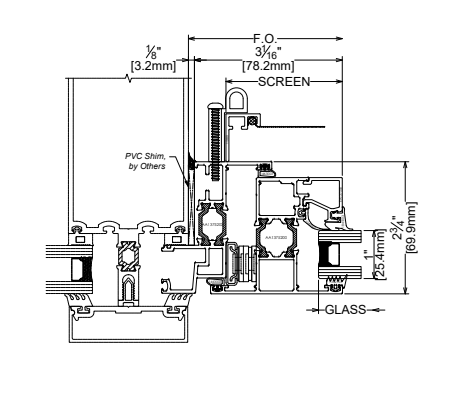
CURTAIN WALL  
INSTALLATION  
INTEGRATION TO 2900 SERIES SHOWN.  
2900, 2970, 2990, 4175 SERIES SHOWN.  
SIMILAR.



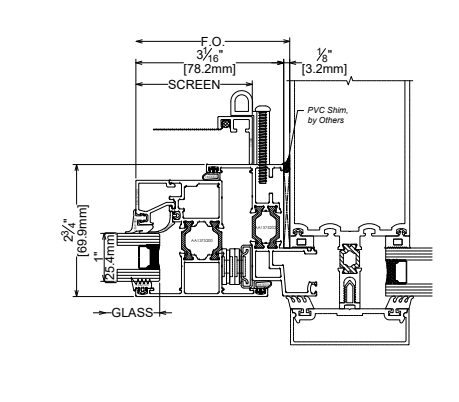
1B  
HEAD  
CURTAIN WALL INSTALLATION



2B  
SILL  
CURTAIN WALL INSTALLATION

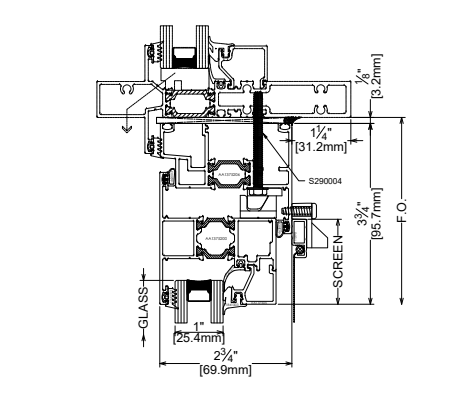


3B  
JAMB  
CURTAIN WALL INSTALLATION

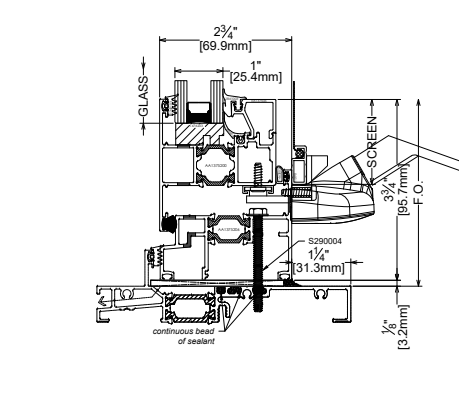


4B  
JAMB  
CURTAIN WALL INSTALLATION

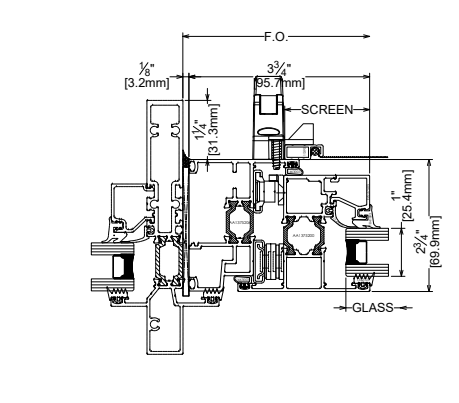
2900, 2970, 2990 SERIES  
WINDOW INSTALLATION  
INTEGRATION TO 2970 SERIES SHOWN.  
2900 & 2990 SIMILAR.



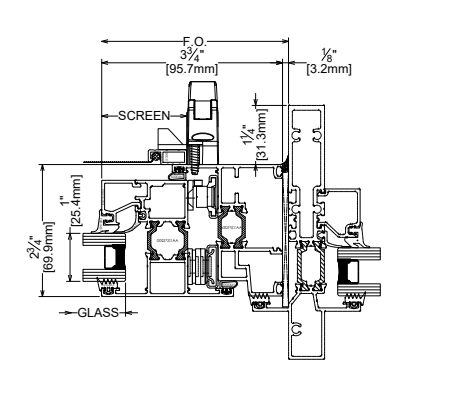
5  
HEAD  
EQUAL LEG INSTALLATION



6  
SILL  
EQUAL LEG INSTALLATION

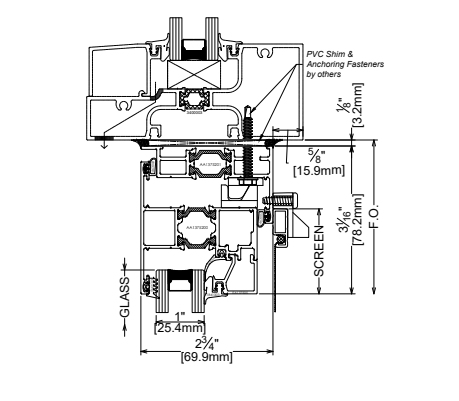


7  
JAMB  
EQUAL LEG INSTALLATION

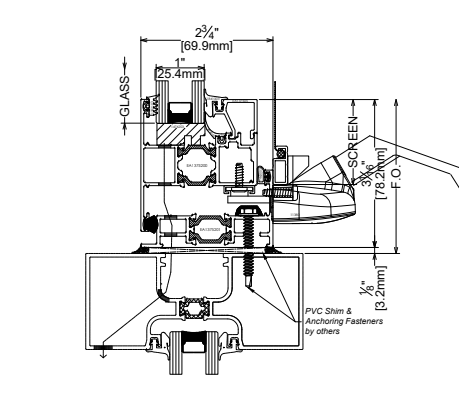


8  
JAMB  
EQUAL LEG INSTALLATION

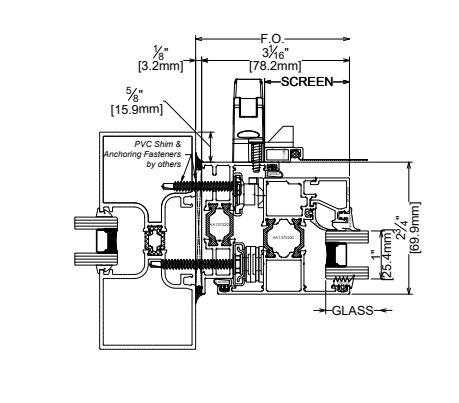
STOREFRONT INSTALLATION



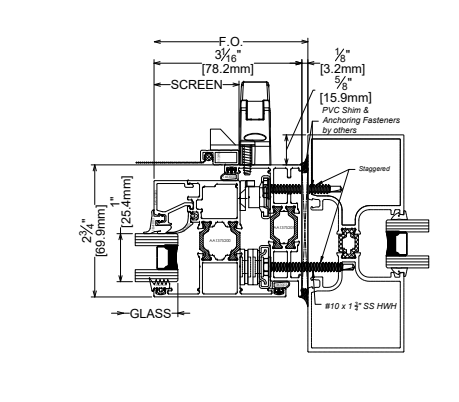
5A  
HEAD  
STOREFRONT INSTALLATION



6A  
SILL  
STOREFRONT INSTALLATION

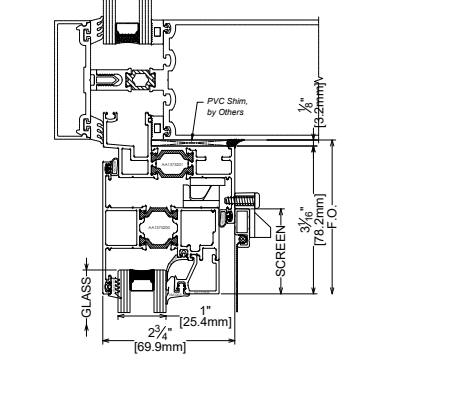


7A  
JAMB  
STOREFRONT INSTALLATION

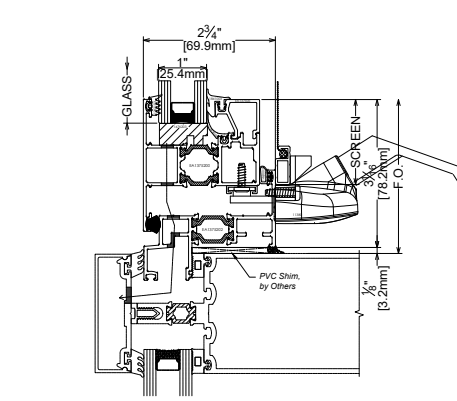


8A  
JAMB  
STOREFRONT INSTALLATION

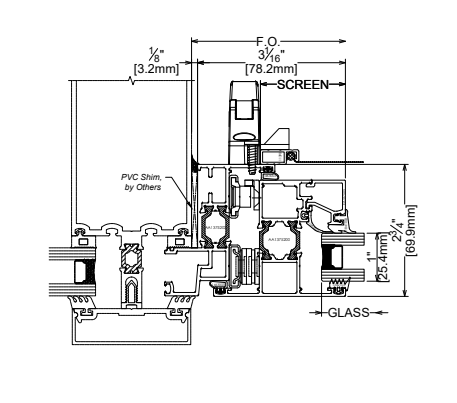
CURTAIN WALL  
INSTALLATION  
INTEGRATION TO 2900 SERIES SHOWN.  
2900, 2970, 2990, 4175 SERIES SHOWN.  
SIMILAR.



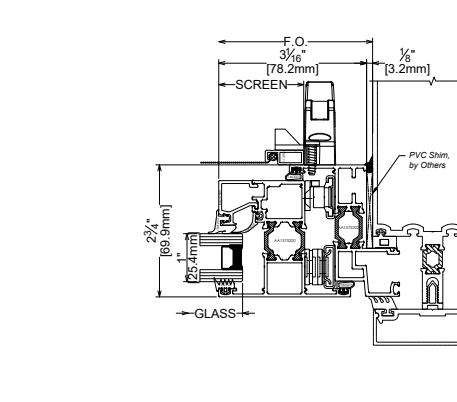
5B  
HEAD  
CURTAIN WALL INSTALLATION



6B  
SILL  
CURTAIN WALL INSTALLATION



7B  
JAMB  
CURTAIN WALL INSTALLATION



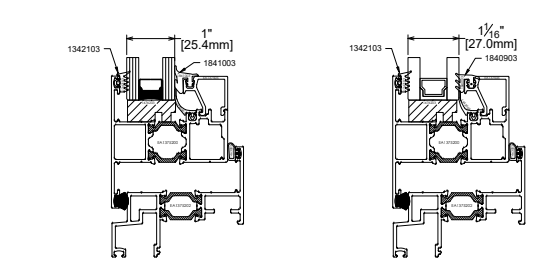
8B  
JAMB  
CURTAIN WALL INSTALLATION

4-BAR / CAMS

4-BAR / ROTO-MPL

1375 SERIES INSERT VENT  
DOUBLE GLAZED

AWNING



OPTIONAL GLAZING  
GLASS SHOWN DOES NOT NECESSARILY REPRESENT FINAL CONFIGURATION.  
CONSULT GLASS MANUFACTURER FOR SPECIFIC GLASS MAKE UP.



LAST REVISED: 12/10/25