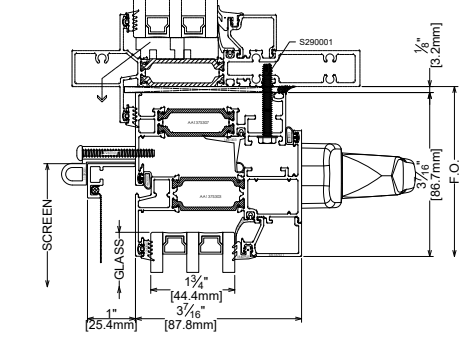
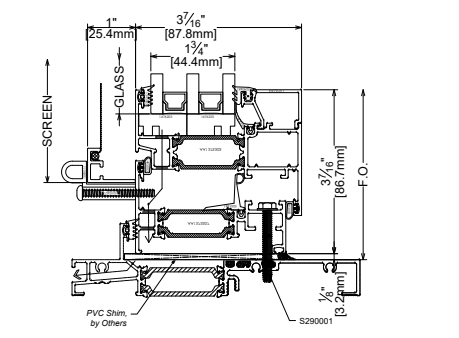


TYPICAL ELEVATION
4-BAR / MPL
WITH OPTIONAL SCREEN

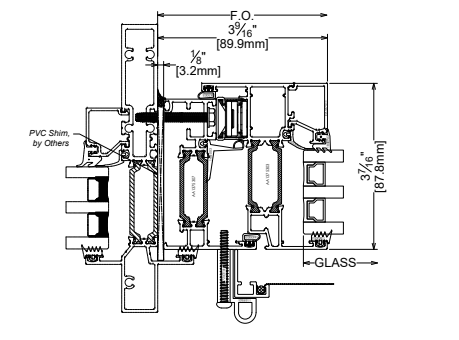
2900, 2970, 2990 SERIES
WINDOW INSTALLATION
INTEGRATION TO 2970 SERIES SHOWN:
2900 & 2990 SIMILAR



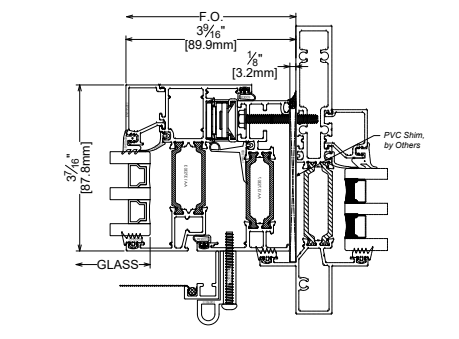
1
HEAD
EQUAL LEG INSTALLATION



2
SILL
EQUAL LEG INSTALLATION

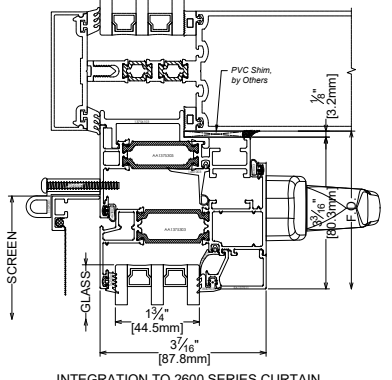


3
JAMB
EQUAL LEG INSTALLATION

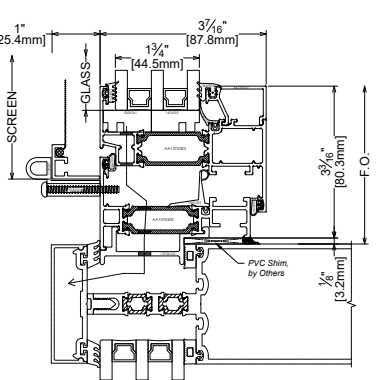


4
JAMB
EQUAL LEG INSTALLATION

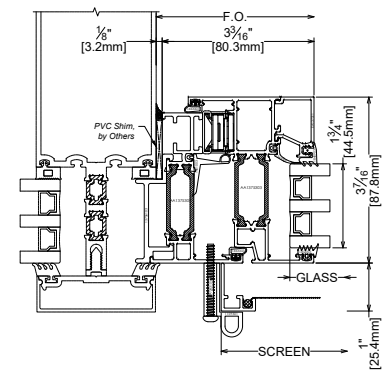
CURTAIN WALL
INSTALLATION
INTEGRATION TO 2900 SERIES SHOWN:
2900, TW2000, XTRADIGRID, SMC2000
SIMILAR



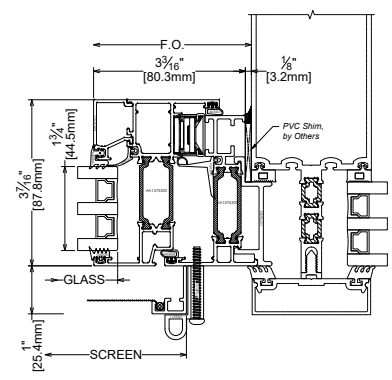
1A
HEAD
CURTAIN WALL INSTALLATION



2A
SILL
CURTAIN WALL INSTALLATION



3A
JAMB
CURTAIN WALL INSTALLATION

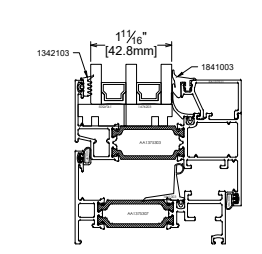


4A
JAMB
CURTAIN WALL INSTALLATION

4-BAR / MPL

1375 SERIES INSERT VENT
TRIPLE GLAZED

HOPPER



OPTIONAL GLAZING
GLASS SHOWN DOES NOT NECESSARILY REPRESENT FINAL CONFIGURATION.
CONSULT GLASS MANUFACTURER FOR SPECIFIC GLASS MAKE UP.



LAST REVISED: 12/10/25