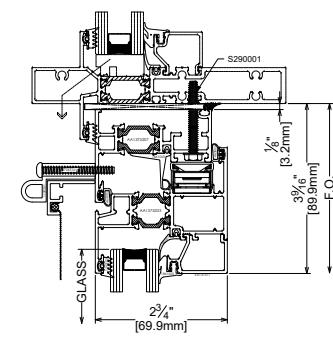
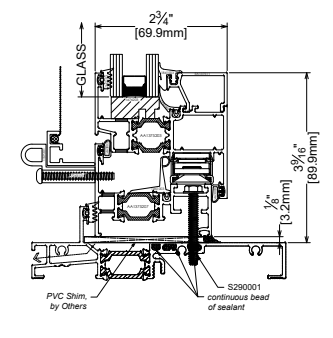


TYPICAL ELEVATION
4-BAR / MULTI-POINT HANDLE
WITH OPTIONAL SCREEN

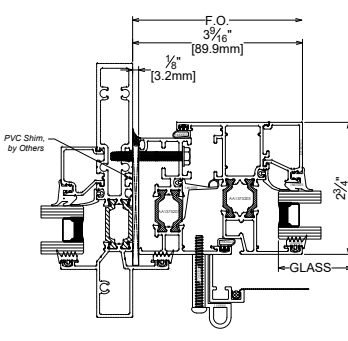
2900, 2970, 2990 SERIES
WINDOW INSTALLATION
INTEGRATION TO 2970 SERIES SHOWN:
2900 & 2990 SIMILAR



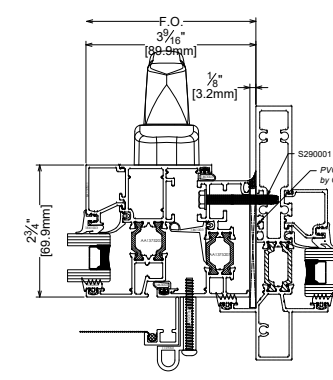
1
HEAD
EQUAL LEG INSTALLATION



2
SILL
EQUAL LEG INSTALLATION

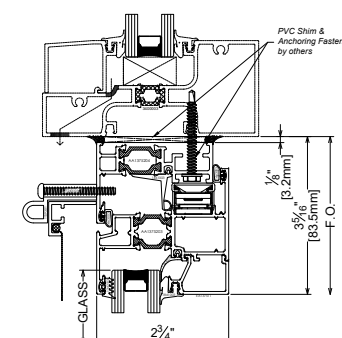


3
JAMB
EQUAL LEG INSTALLATION

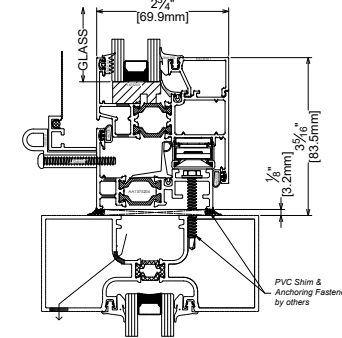


4
JAMB
EQUAL LEG INSTALLATION

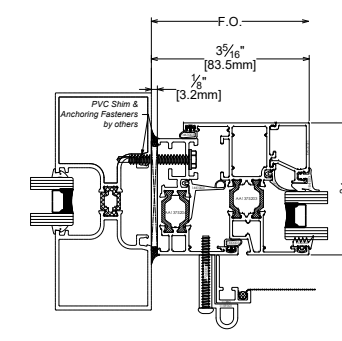
STOREFRONT INSTALLATION



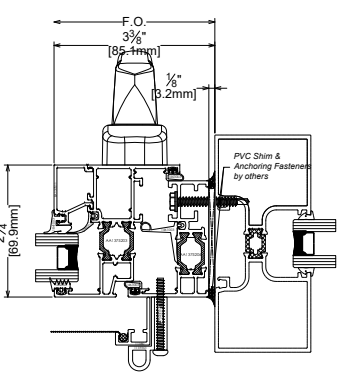
1A
HEAD
STOREFRONT INSTALLATION



2A
SILL
STOREFRONT INSTALLATION

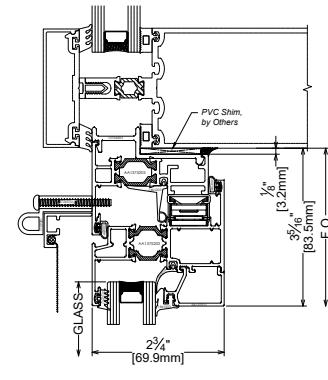


3A
JAMB
STOREFRONT INSTALLATION

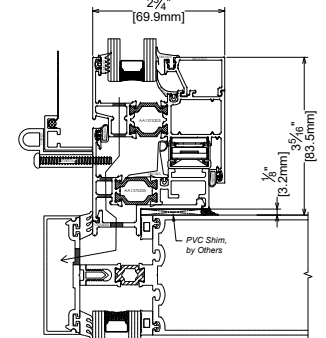


4A
JAMB
STOREFRONT INSTALLATION

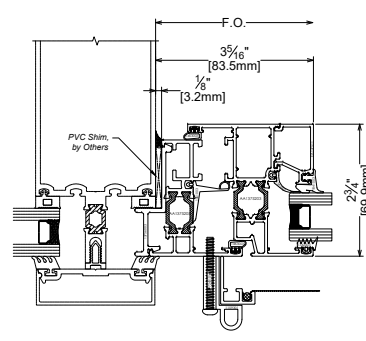
CURTAIN WALL
INSTALLATION
INTEGRATION TO 2900 SERIES SHOWN:
2900, 2970, 2990, 2990, 2990, 2990
SIMILAR



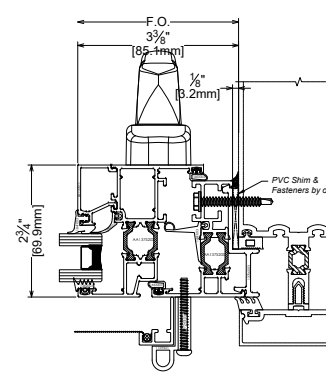
1B
HEAD
CURTAIN WALL INSTALLATION



2B
SILL
CURTAIN WALL INSTALLATION



3B
JAMB
CURTAIN WALL INSTALLATION

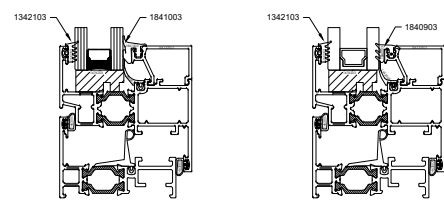


4B
JAMB
CURTAIN WALL INSTALLATION

4-BAR / MPL (LH)

EGRESS WINDOW NOTE:

SCREENS CANNOT BE USED WITH EGRESS WINDOWS.
AVAILABLE WITH OPTIONAL EGRESS HINGE



OPTIONAL GLAZING

GLASS SHOWN DOES NOT NECESSARILY REPRESENT FINAL CONFIGURATION.
CONSULT GLASS MANUFACTURER FOR SPECIFIC GLASS MAKE UP.

1375 SERIES INSERT VENT
DOUBLE GLAZED

CASEMENT PI



LAST REVISED: 12/10/25