

**CASEMENT INFORMATION (TRIPLE GLAZED)**

WITH 4-BAR / CAMS

\*MIN DIMENSIONS 16" x 16" [406 x 406]

\*MAX DIMENSIONS 36" x 54" [914 x 1372]

SCREEN OPTIONAL with WICKET

MAX OPENING VARIES

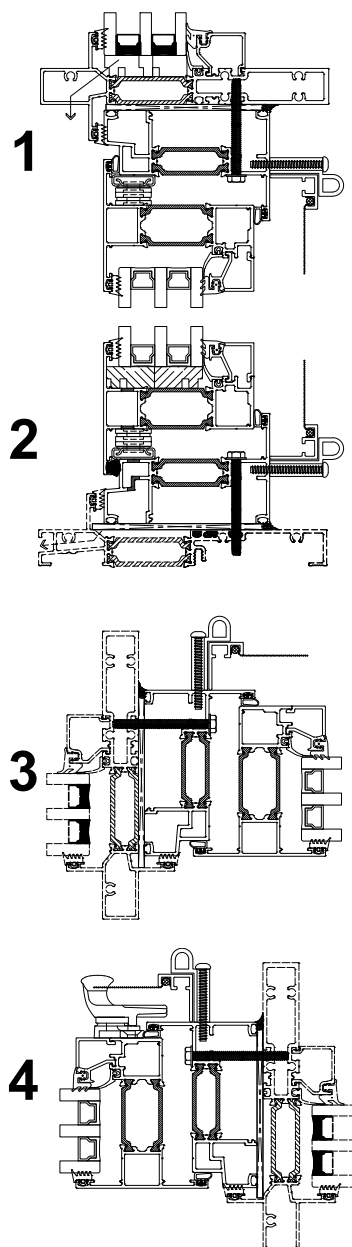
LIMITED OPENING OPTION @ 4" [102]

CUSTODIAL HANDLE OPTION

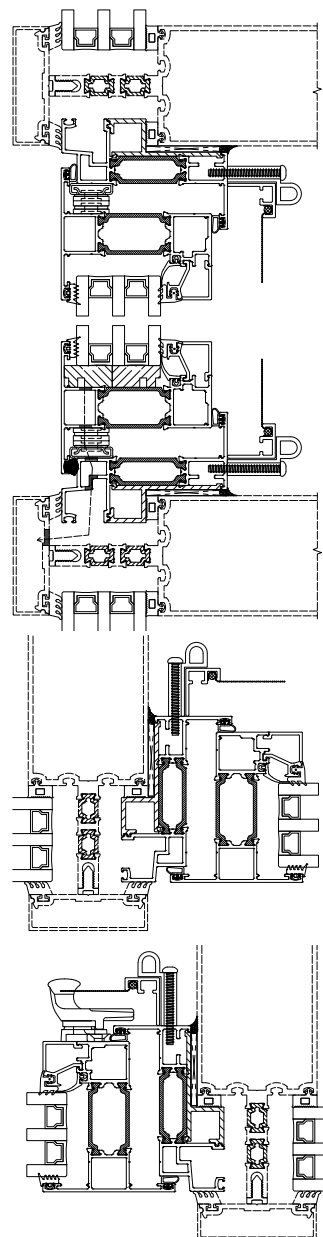
EGRESS N/A

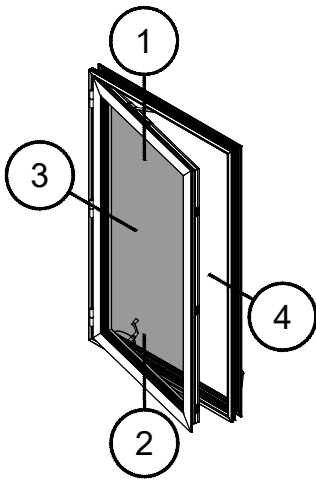
*\*Based on (DLO) dimensions, Dimensions in brackets are in [mm] millimeters*

**Fixed Window Integration**



**Curtain Wall Integration**

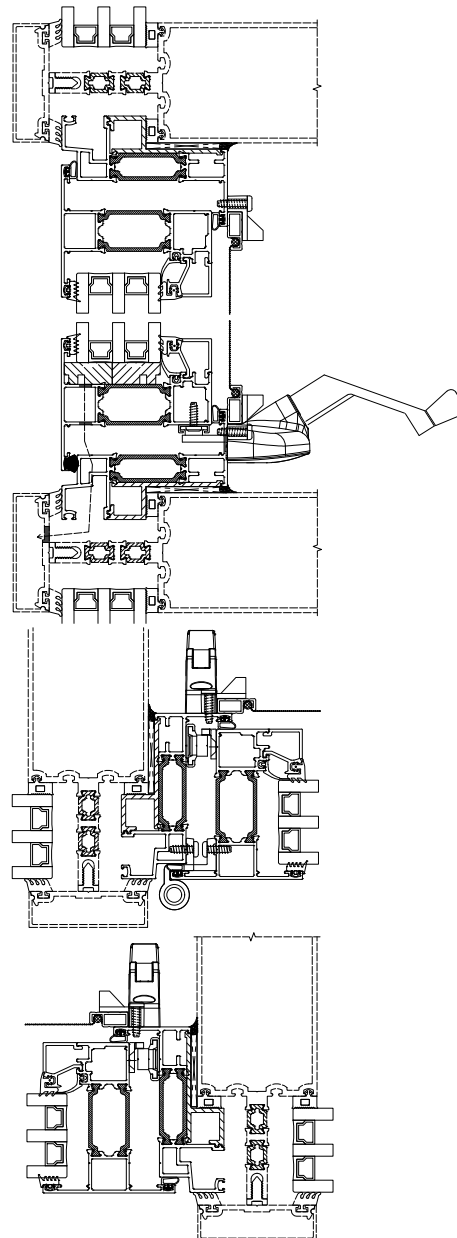
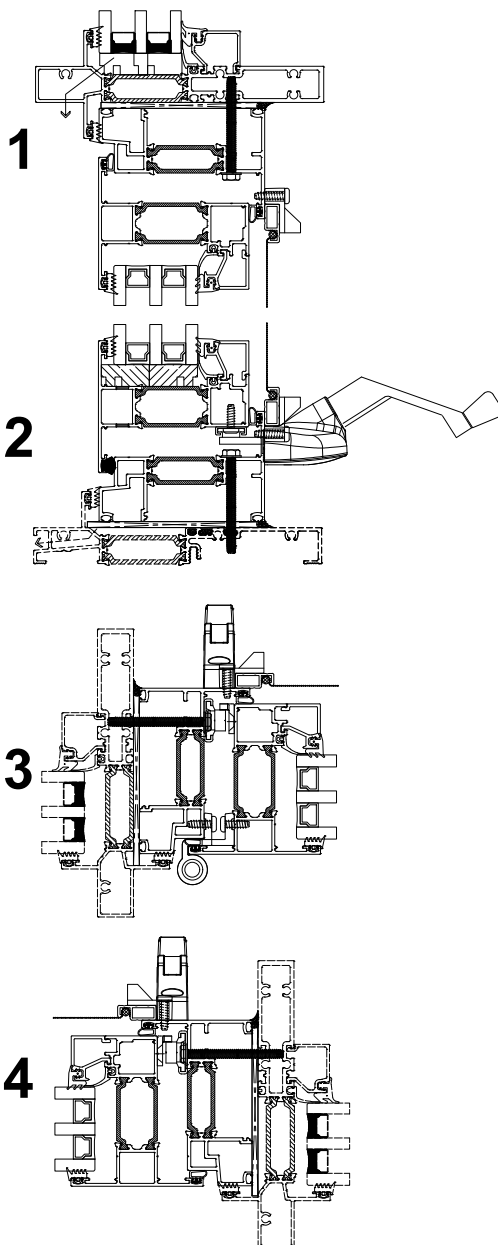




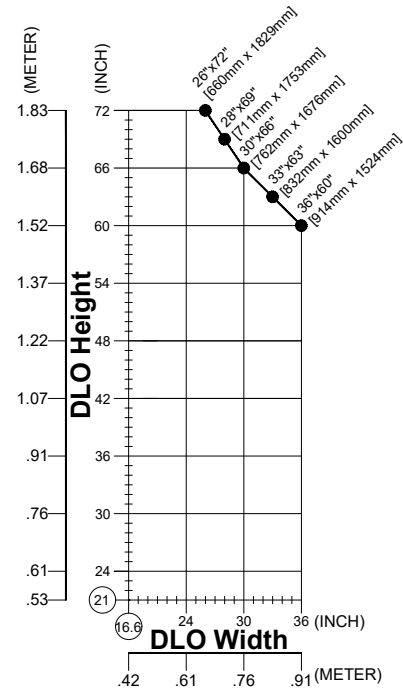
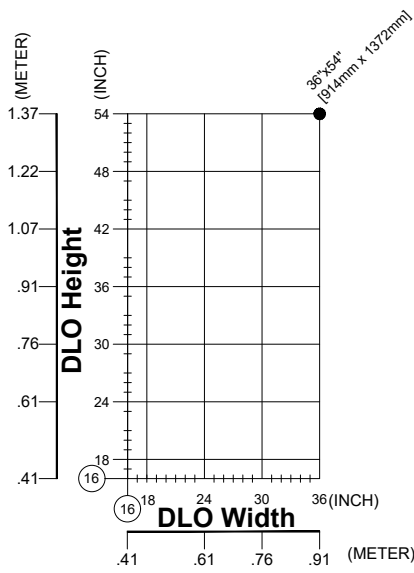
**CASEMENT INFORMATION (TRIPLE GLAZED)**  
 WITH BUTT HINGE / ROTO-MPL  
 \*MIN DIMENSIONS 16 5/8" x 21" [422 x 533]  
 \*MAX DIMENSIONS 36" x 60" [914 x 1524] or 26" x 72" [660 x 1829]  
 SCREEN OPTION  
 MAX OPENING VARIES  
 LIMITED OPENING OPTION @ 4" [102]  
 CUSTODIAL HANDLE OPTION  
 EGRESS OPTION  
 \*Based on (DLO) dimensions, Dimensions in brackets are in [mm] millimeters

**Fixed Window Integration**

**Curtain Wall Integration**



**CASEMENT PROJECT OUT WITH ROTO OPERATOR & MULTIPOINT LOCKING OR CAM HANDLE (Triple Glazed)**



**CAM HANDLE casement hardware includes the following:**

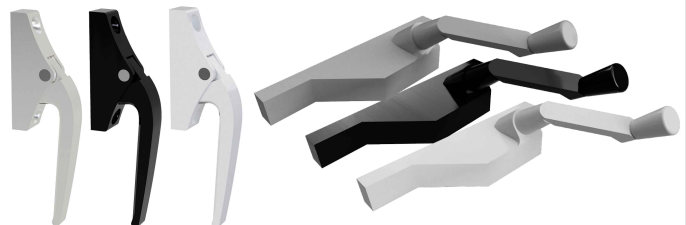
- White Bronze handle finish
- One or two ring CAM handles (as required) located on the sash
- One pair stainless steel friction arms
- Snubber set (as required)
- Glass stop for 1 3/4" [44.5mm] glazing
- Interior glazing spline

**ROTO-MPL casement hardware includes the following:**

- Silver, White or Black hardware finish
- One multipoint locking handle located on the lock side of the frame
- One ROTO Operator
- Two or three BUTT Hinges (as required)
- Glass stop for 1 3/4" [44.5mm] glazing Interior glazing spline



CAM HANDLE



MPL HANDLE

ROTO OPERATOR



OPTIONAL CUSTODIAL CAM LOCK WITH REMOVABLE HANDLE



OPTIONAL CUSTODIAL LOCK WITH REMOVABLE HANDLE

Optional extras (must be specified at time of ordering or quotation):

- Insect screen
- Custodial lock with removable handle
- Sash limiters
- Hardware other than standard
- Top Load gasket #1841003 for 1 11/16" [42.5mm] IGU

Charts are based upon an insulating glass unit infill of 1 3/4" [44mm] overall thickness comprised of 6mm glass/13mm gas fill/6mm glass/13mm gas fill/6mm glass/

Using this chart: Ensure your largest maximum size falls within the above size limitation chart