

AWNING INFORMATION (TRIPLE GLAZED)

WITH 4-BAR / CAMS

- *MIN DIMENSIONS 16" x 16" [406 x 406]
- *MAX DIMENSIONS 60" x 36" [1524 x 914] or
36" x 54" [914 x 1372]

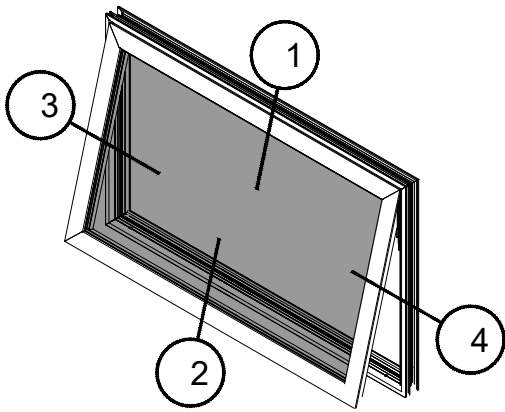
SCREEN OPTIONAL with WICKET

MAX OPENING VARIES

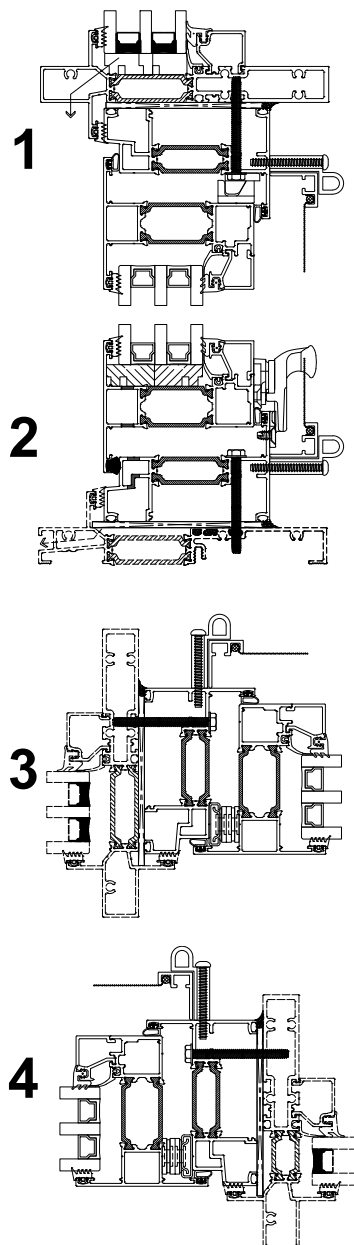
LIMITED OPENING OPTION @ 4" [102]

CUSTODIAL HANDLE OPTION

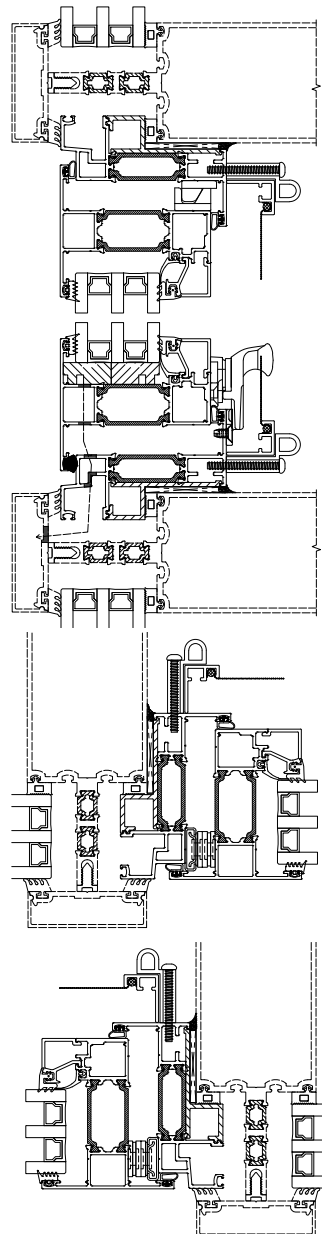
*Based on (DLO) dimensions, Dimensions in brackets are in [mm] millimeters



Fixed Window Integration



Curtain Wall Integration



AWNING INFORMATION (TRIPLE GLAZED)

WITH 4-BAR / ROTO-MPL

***MIN DIMENSIONS** 19 5/8" x 21" [498 x 533]

***MAX DIMENSIONS** 66" x 36" [1676 x 914] or 36" x 66" [914 x 1676]

SCREEN OPTION

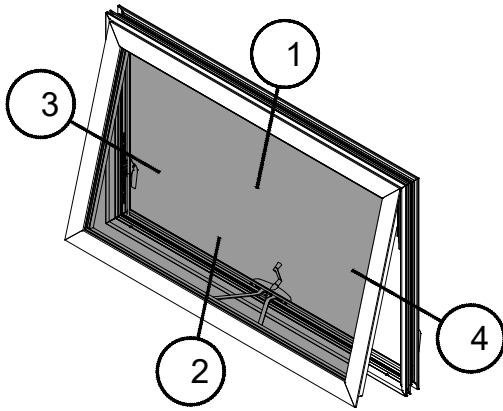
MAX OPENING 1 1/2" < 30 5/8" [38 < 778] WIDE

6 3/4" ≥ 30 5/8" [171 ≥ 778] WIDE

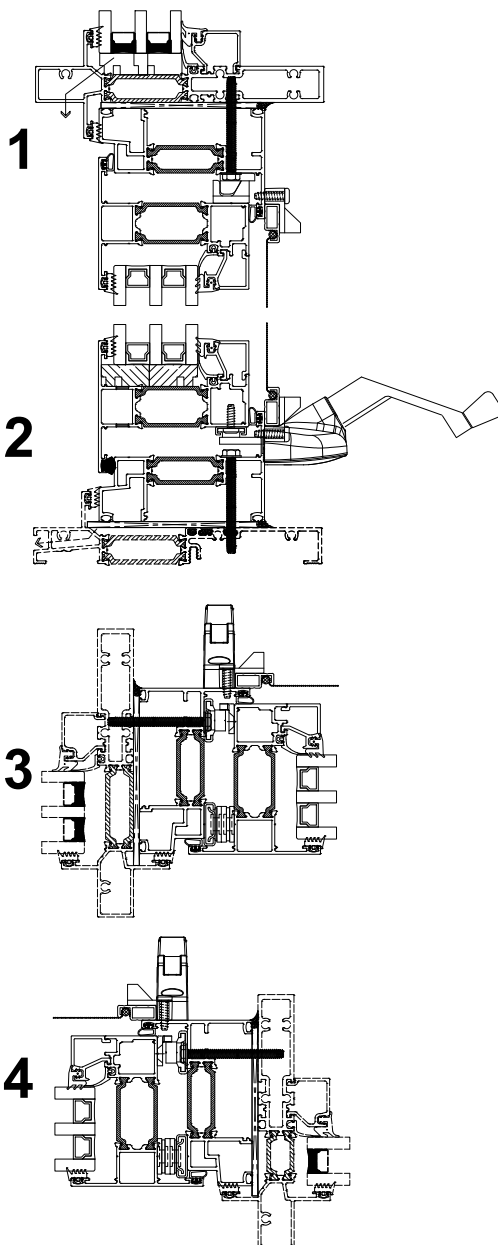
LIMITED OPENING OPTION @ 4" [102] FOR WIDTHS ≥ 30 5/8" [778]

CUSTODIAL HANDLE OPTION

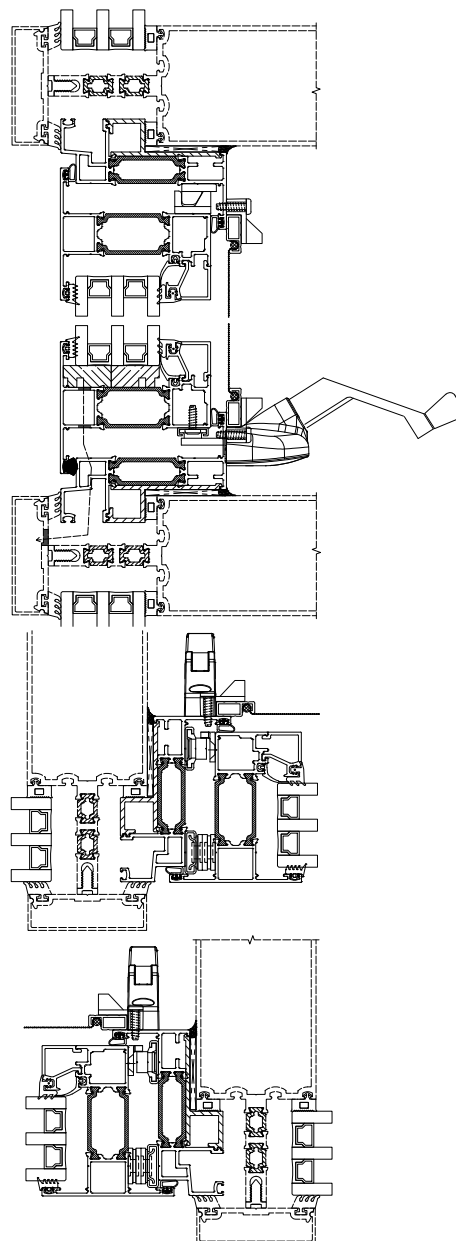
**Based on (DLO) dimensions, Dimensions in brackets are in [mm] millimeters*



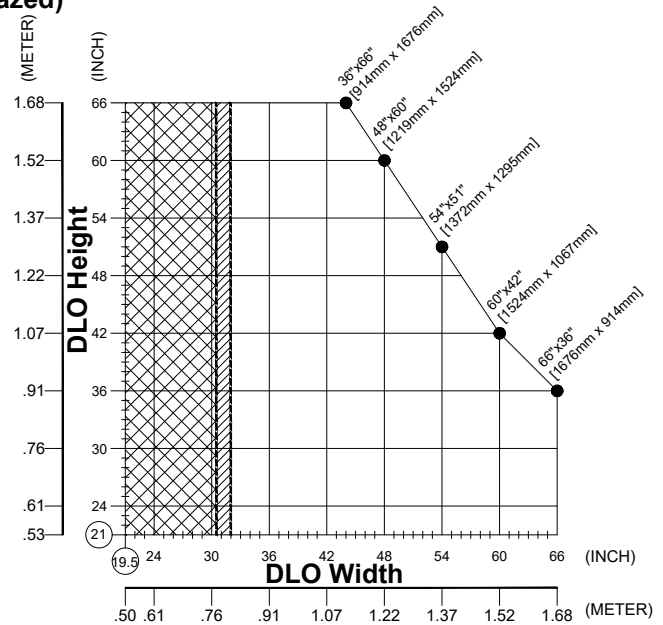
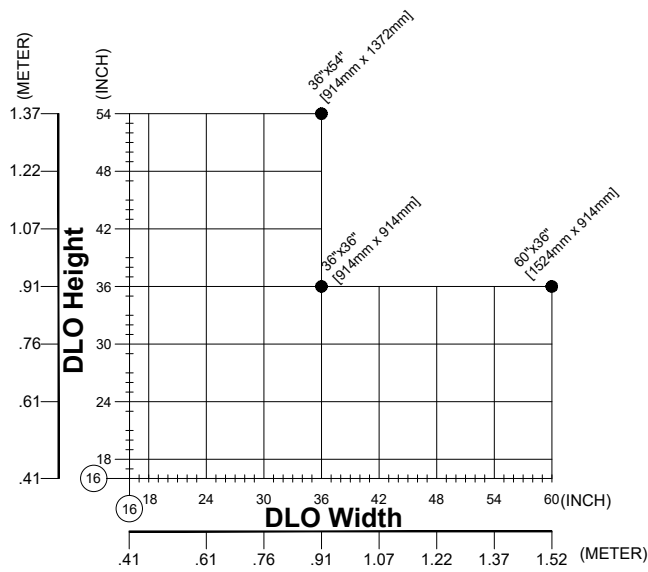
Fixed Window Integration



Curtain Wall Integration



TOP HUNG PROJECT OUT WITH ROTO OPERATOR & MULTIPOINT LOCKING OR CAM HANDLE (Triple Glazed)



CAM HANDLE awning hardware includes the following:

- White Bronze handle finish
- One or two ring CAM handles (as required) located on the sash
- One pair stainless steel 4-Bar Hinges
- Snubber set (as required)
- Glass stop for 1 3/4" [44.5mm] glazing
- Interior glazing spline



CAM HANDLE
white bronze finish ONLY

OPTIONAL CUSTODIAL CAM LOCK WITH REMOVABLE HANDLE
white bronze finish ONLY

ROTO-MPL awning hardware includes the following:

- Silver, White or Black handle finish
- One ROTO Operator & two multipoint locking handles
- One pair stainless steel 4-Bar Hinges
- Snubber set (as required)
- Glass stop for 1 3/4" [44.5mm] glazing
- Interior glazing spline



MPL HANDLE

ROTO OPERATOR



OPTIONAL CUSTODIAL LOCK WITH REMOVABLE HANDLE

Optional extras (must be specified at time of ordering or quotation):

- Insect screen
- Custodial lock with removable handle
- Sash limiters
- Hardware other than standard
- Top Load gasket #1841003 for 1 11/16" [43mm] IGU

Charts are based upon an insulating glass unit infill of 1 3/4" [44.5mm] overall thickness comprised of 6mm glass/13mm gas fill/6mm glass/13mm gas fill/6mm glass/

Using this chart: Ensure your largest maximum size falls within the above size limitation chart