

**AWNING INFORMATION (DOUBLE GLAZED)**

WITH 4-BAR / CAMS

\*MIN DIMENSIONS 16" x 16" [406 x 406]

\*MAX DIMENSIONS 60" x 36" [1524 x 914] or  
36" x 54" [914 x 1372]

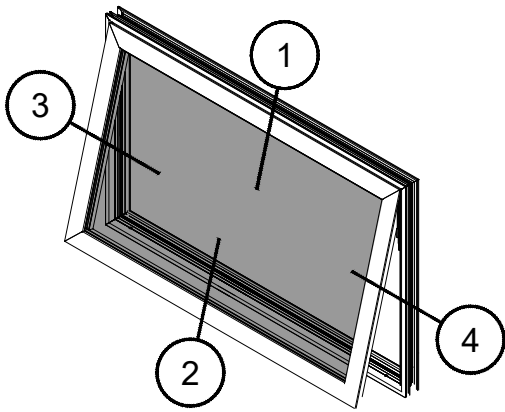
SCREEN OPTIONAL with WICKET

MAX OPENING VARIES

LIMITED OPENING OPTION @ 4" [102]

CUSTODIAL HANDLE OPTION

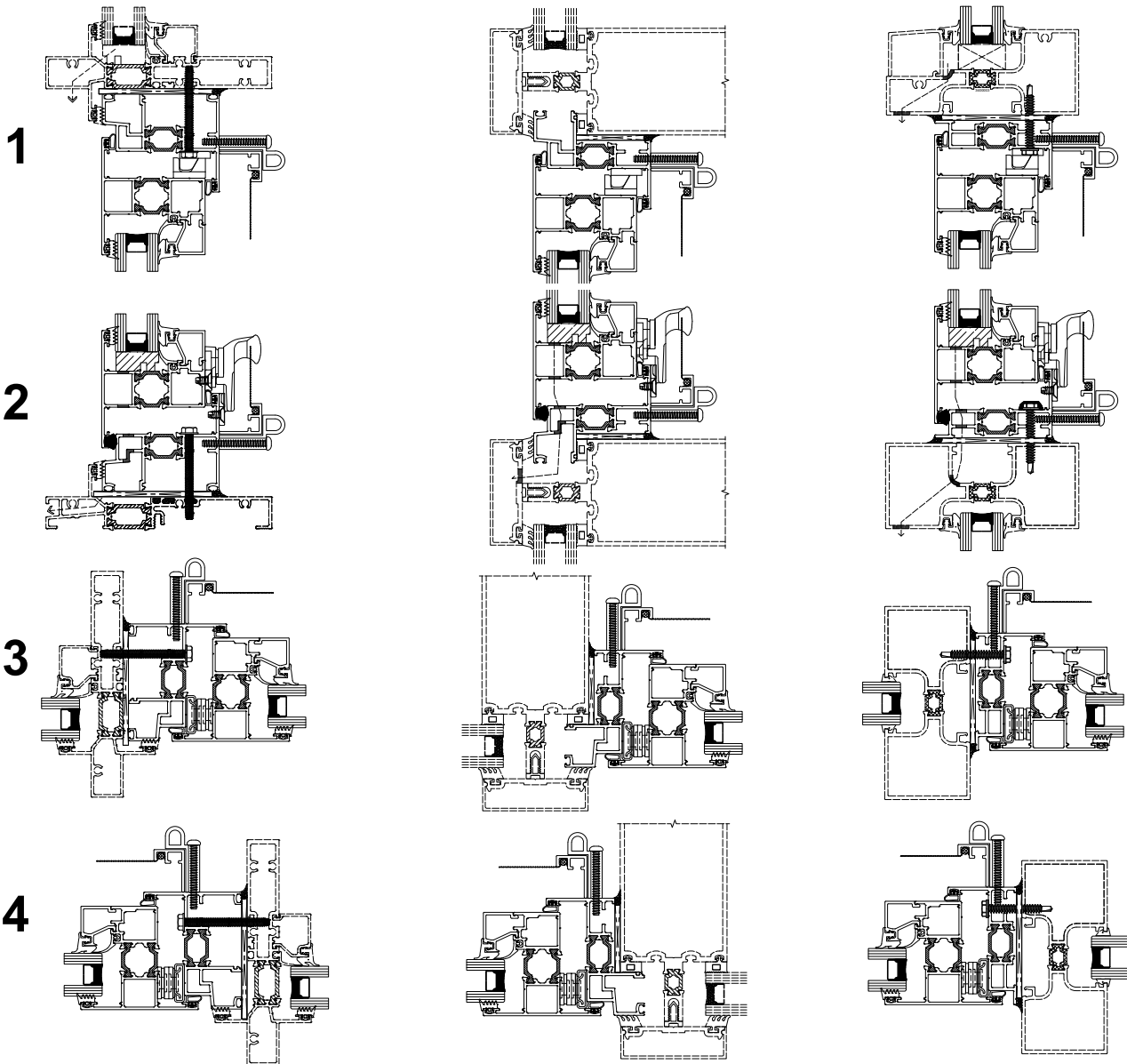
\*Based on (DLO) dimensions, Dimensions in brackets are in [mm] millimeters

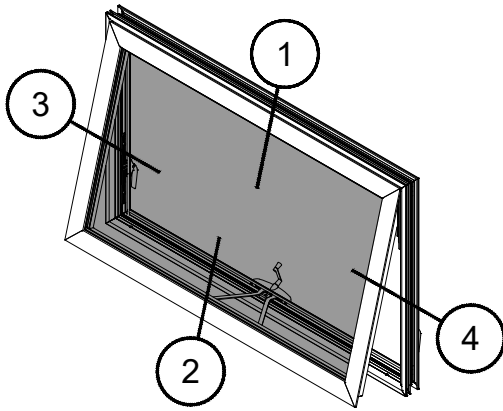


**Fixed Window Integration**

**Curtain Wall Integration**

**Storefront Integration**



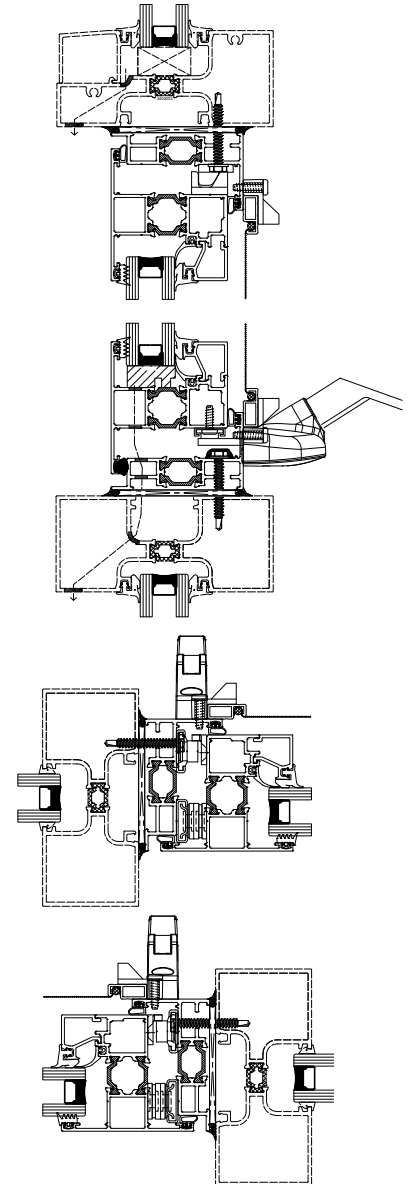
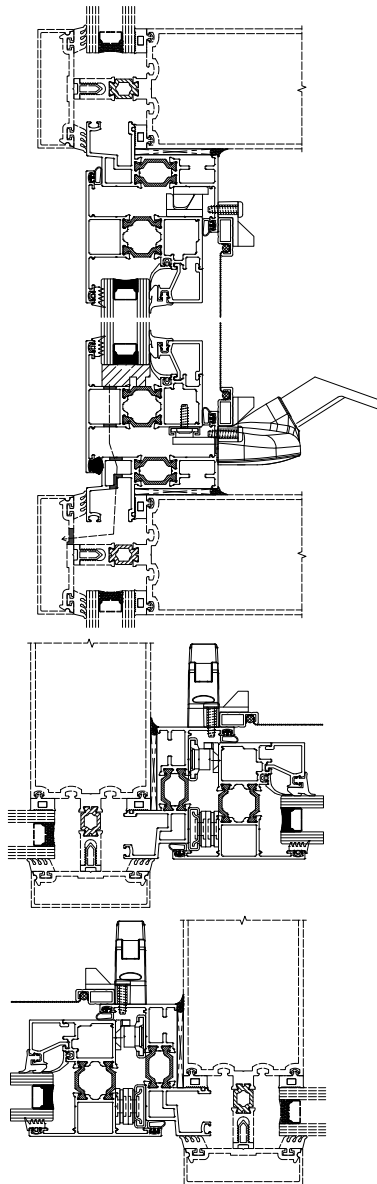
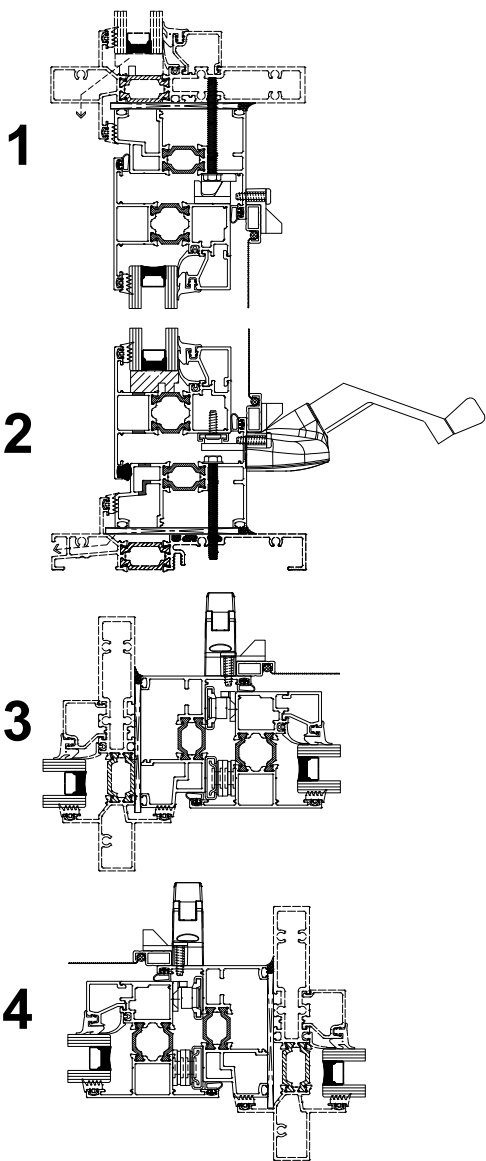


**AWNING INFORMATION (DOUBLE GLAZED)**  
 WITH 4-BAR / ROTO-MPL  
 \*MIN DIMENSIONS 19 5/8" x 21" [498 x 533]  
 \*MAX DIMENSIONS 66" x 36" [1676 x 914] or 36" x 78" [914 x 1981]  
**SCREEN OPTION**  
 MAX OPENING 2 1/4" < 30 5/8" [57 < 778] WIDE  
 7 1/2" ≥ 30 5/8" [191 ≥ 778] WIDE  
**LIMITED OPENING OPTION @ 4" [102] FOR WIDTHS ≥ 30 5/8" [778]**  
**CUSTODIAL HANDLE OPTION**  
 \*Based on (DLO) dimensions, Dimensions in brackets are in [mm] millimeters

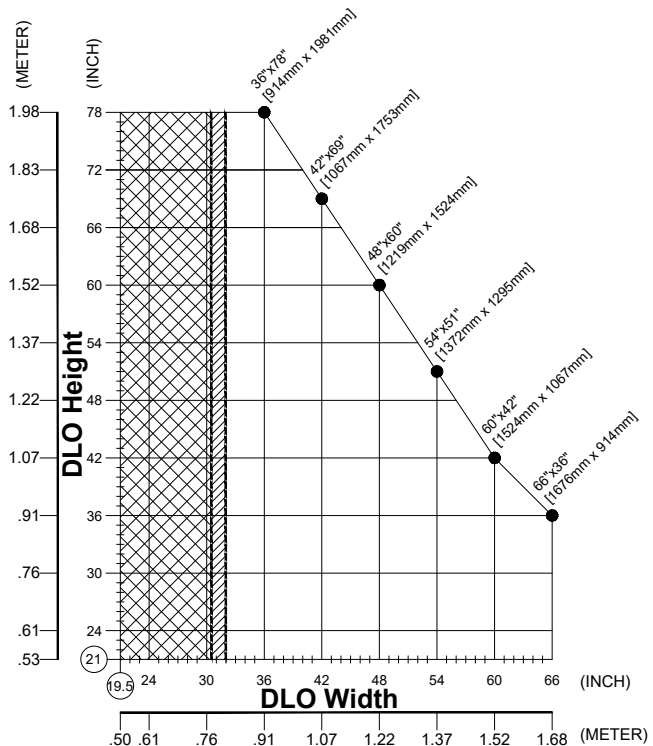
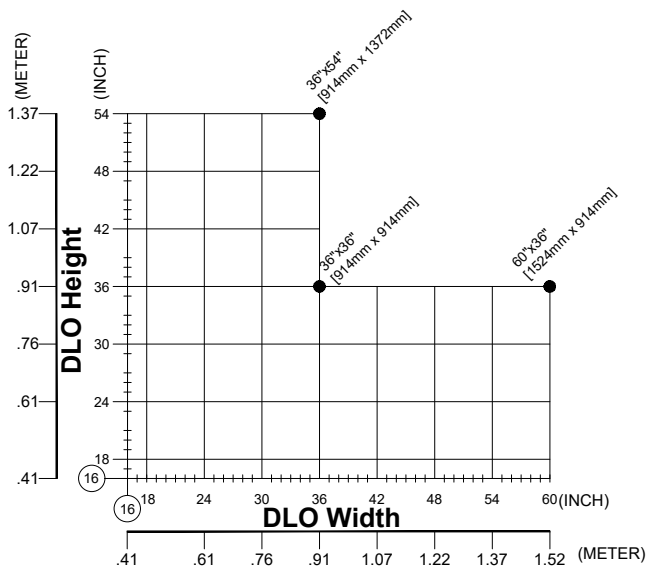
**Fixed Window Integration**

**Curtain Wall Integration**

**Storefront Integration**



**TOP HUNG PROJECT OUT WITH ROTO OPERATOR & MULTIPOINT LOCKING OR CAM HANDLE  
(Double Glazed)**



SIZE LIMITS OPENING TO 2 1/4" [57 mm] Storefront & Curtainwall Framing  
 SIZE LIMITS OPENING TO 2 1/4" [57 mm] Fixed Window Framing

**CAM HANDLE awning hardware includes the following:**

- One or two CAM handles (as required) located on the sash, white bronze finish
- One pair stainless steel 4-Bar Hinges
- Snubber set (as required)
- Glass stop for 1" [25.4mm] glazing
- Interior glazing spline



CAM HANDLE



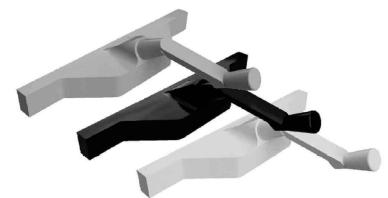
OPTIONAL CUSTODIAL CAM LOCK WITH REMOVABLE HANDLE

**ROTO-MPL awning hardware includes the following:**

- Silver, White or Black handle finish
- One ROTO Operator & two multipoint locking handles
- One pair stainless steel 4-Bar Hinges
- Snubber set (as required)
- Glass stop for 1" [25.4mm] glazing
- Interior glazing spline



MPL HANDLE



ROTO OPERATOR



OPTIONAL CUSTODIAL LOCK WITH REMOVABLE HANDLE

Optional extras (must be specified at time of ordering or quotation):

- Insect screen (fiberglass or aluminum mesh)
- Custodial lock with removable handle
- Sash limiters
- Hardware other than standard
- Glazing gasket for 1 1/16" [27mm] IGU

Charts are based upon an insulating glass unit infill of 1" [25.4mm] overall thickness comprised of 6mm glass/13mm gas fill/6mm glass

Using this chart: Ensure your largest maximum size falls within the above size limitation chart