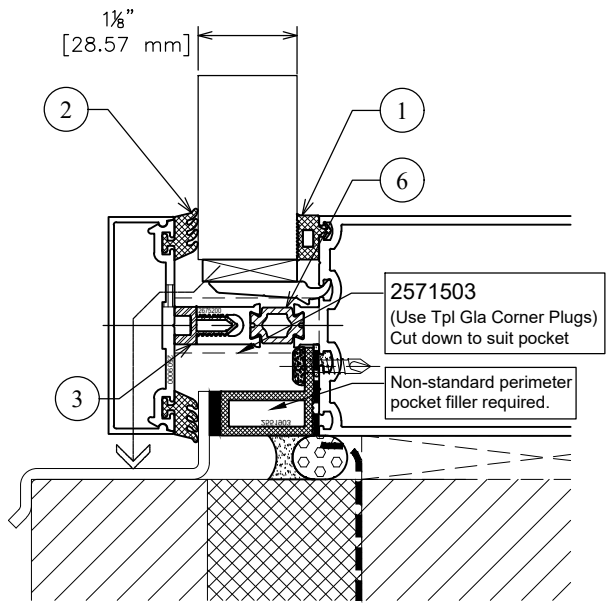
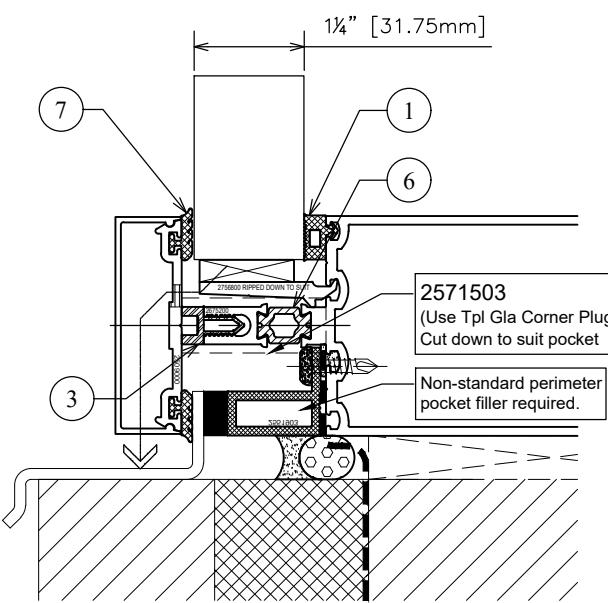


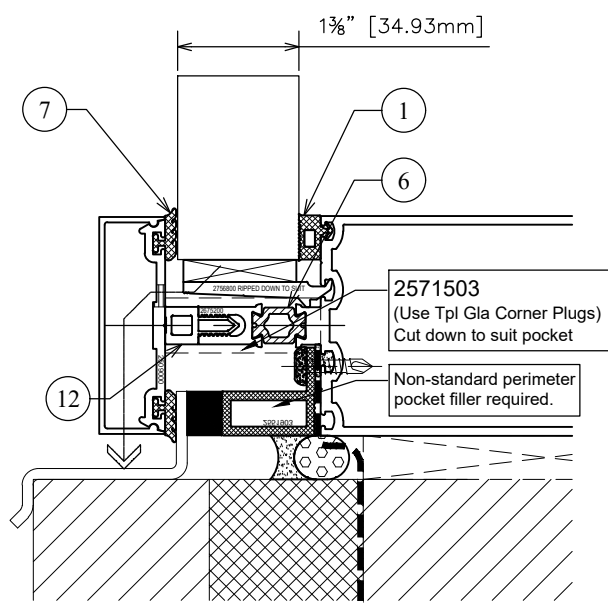
**1" Glass (25mm)**



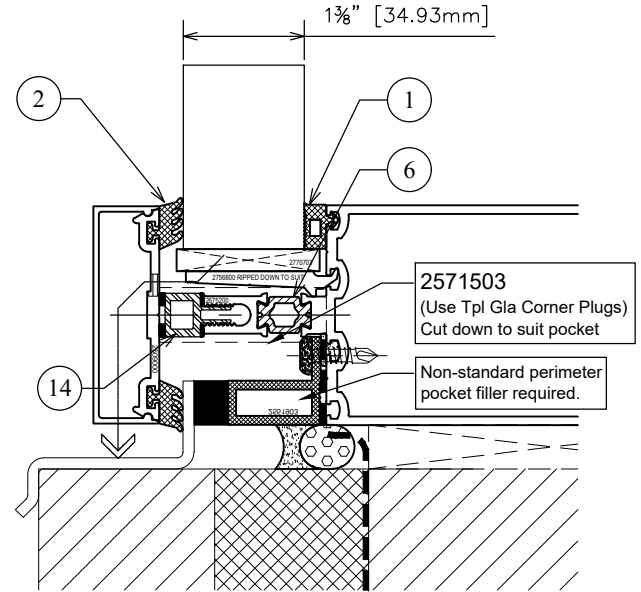
**1 1/8" Glass (28.5 mm)**



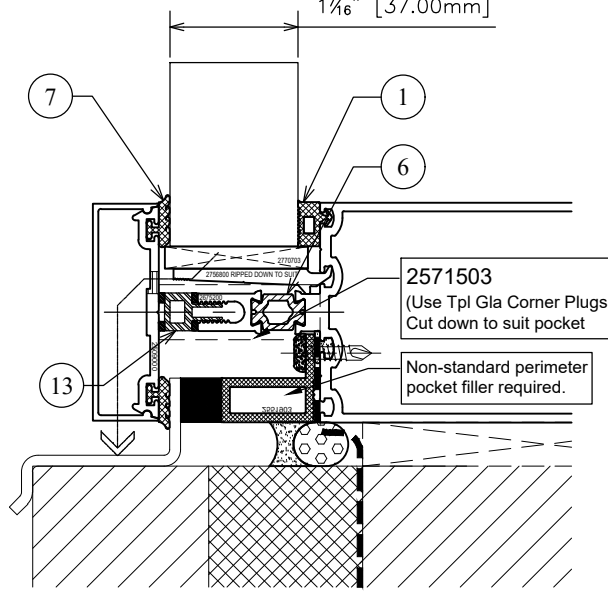
**1 1/4" Glass (32mm)**



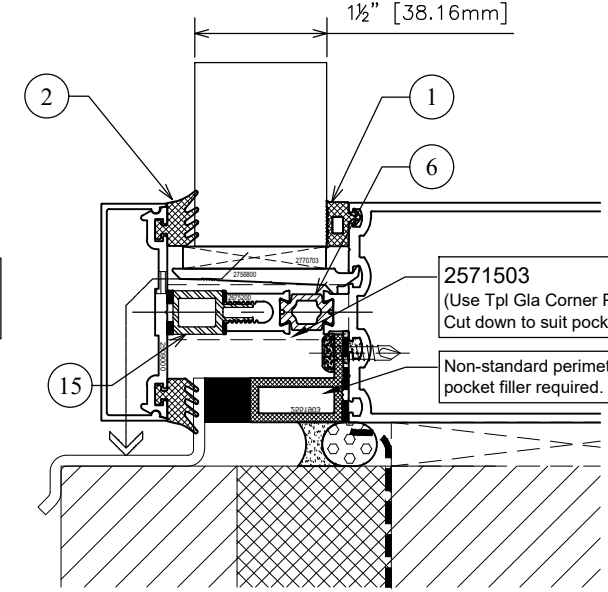
**1 3/8" Glass (35mm)**



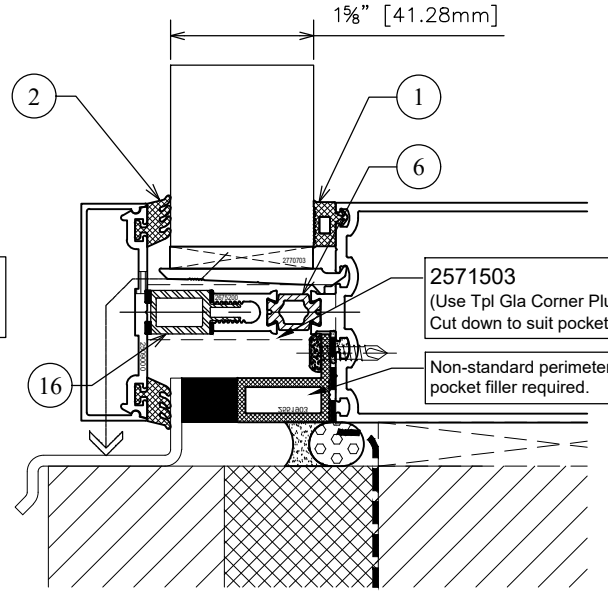
**1 3/8" Glass (35mm)**



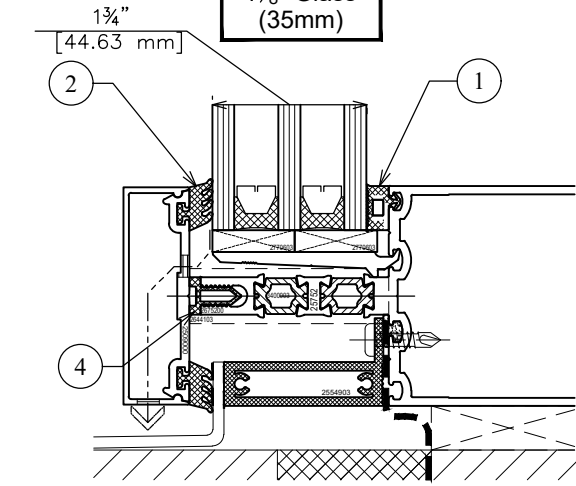
**1 7/16" Glass (37mm)**



**1 1/2" Glass (38mm)**



**1 5/8" Glass (41mm)**



**1 3/4" Glass (45mm)**

8		2513200	SINGLE GLAZING ADAPTER FOR 1/2" GLASS	1		2653403	1/4" INTERIOR GLAZING GASKET	11		2244101	9/32" THERMAL BARRIER, FLEXIBLE PVC, 75 DUROMETER
				2		2554203	3/8" EXTERIOR GLAZING GASKET	12		2645103	3/8" THERMAL BARRIER, FLEXIBLE PVC, 75 DUROMETER
9		2578700	SINGLE GLAZING ADAPTER FOR DOUBLE GLAZED SYSTEM CAPPED	3		2680703	1/4" THERMAL BARRIER, FLEXIBLE PVC, 75 DUROMETER	13		JC11301	11mm THERMAL BARRIER, RIGID PVC - DUAL DUROMETER
				4		2644103	1/8" THERMAL BARRIER, FLEXIBLE PVC, 75 DUROMETER	14		2380101	1/2" THERMAL BARRIER, RIGID PVC - DUAL DUROMETER
10		2578800	SINGLE GLAZING ADAPTER FOR TRIPLE GLAZED SYSTEM CAPPED	5		2552003	3/8" INTERIOR GLAZING GASKET	15		2681903	17mm THERMAL BARRIER, RIGID PVC - DUAL DUROMETER
				6		3400003	THERMAL BREAK	16		JC6001	19.5mm THERMAL BARRIER, RIGID PVC - DUAL DUROMETER
				7		2249903	3/8" EXTERIOR GLAZING GASKET	17		2681803	27mm THERMAL BARRIER, RIGID PVC - DUAL DUROMETER

FINAL APPROVAL OF DESIGN and GUARANTEE OF SIZES  
We require your approval to proceed. Please Review, Sign, and Return these drawings indicating your Approval of Final Design and Guarantee of Final Sizes.

Approved By: \_\_\_\_\_  
Date: \_\_\_\_\_

ALUMICOR WILL NOT FABRICATE YOUR ORDER UNLESS THESE DRAWINGS ARE SIGNED.

**\*ADDITIONAL GLAZING DEPTHS IN THE RANGE OF 25-45mm MAY BE ACCOMMODATED USING GASKET COMBINATIONS. PLEASE CONTACT ALUMICOR FOR DESIGN ASSISTANCE.**

ALUMICOR LIMITED ASSUMES NO RESPONSIBILITY AS TO MEASUREMENTS OR DETAIL AFFECTING ANY WORK BUT ITS OWN AND IS NOT RESPONSIBLE FOR ANY ERRORS OCCURRING THROUGH THE USE OF THESE DRAWINGS BY OTHER PARTIES.

NOTE: THESE DRAWINGS ARE THE PROPERTY OF ALUMICOR LIMITED. ALUMICOR LIMITED ASSUMES NO RESPONSIBILITY FOR THE MEASUREMENTS AND OR DETAILS AFFECTING ANY WORK BUT ITS OWN. DETAILS AND PROFILES OF A PROPRIETARY NATURE MAY NOT BE MODIFIED IN ANYWAY WITHOUT THE WRITTEN CONSENT OF ALUMICOR LIMITED. UNLESS STAMPED OR SEALED BY A LICENSED PROFESSIONAL ENGINEER, NO ASSUMPTION OF SPECIFIC STRUCTURAL ANALYSIS OR ACCURACY IS MADE OR IMPLIED. THE CUSTOMER TAKES SOLE RESPONSIBILITY FOR THE USE OF THE INFORMATION CONTAINED HERE IN.

REV	DATE	REVISION	BY
01	2024.01.03	Update bill options with all the new thermal barriers per R23224	XPC

**Alumicor**  
290 Humberline DR. • Toronto, ON, Canada • M9W 5S2  
T. 416-745-4222 F. 416-745-7759 TF. 1-877-258-6426

Dealer: \_\_\_\_\_

Project: \_\_\_\_\_

Architect: \_\_\_\_\_

Contractor: \_\_\_\_\_

Drawing Title: Series 2600 Capped System  
Vision Glass Options

First Issue: 2014.03.31 Drawn By: J.D.  
Scale: Full Checked By: \_\_\_\_\_  
TSD Sequence #: \_\_\_\_\_ Sales Order #: \_\_\_\_\_

CAD File: \_\_\_\_\_ Issue #: 1  
Sheet #: \_\_\_\_\_ Rev #: 01

PAGE 01