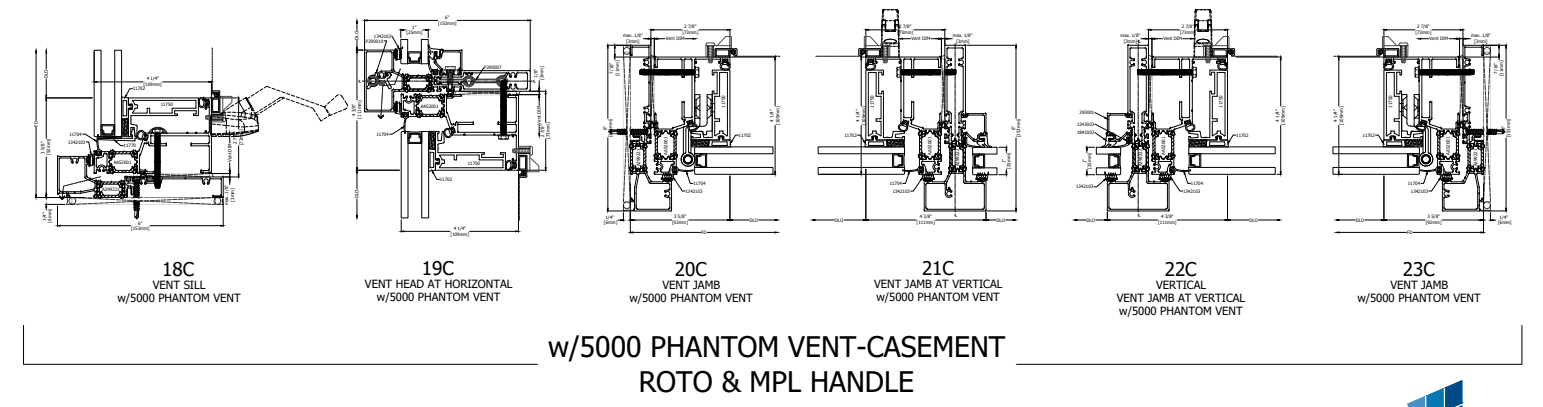
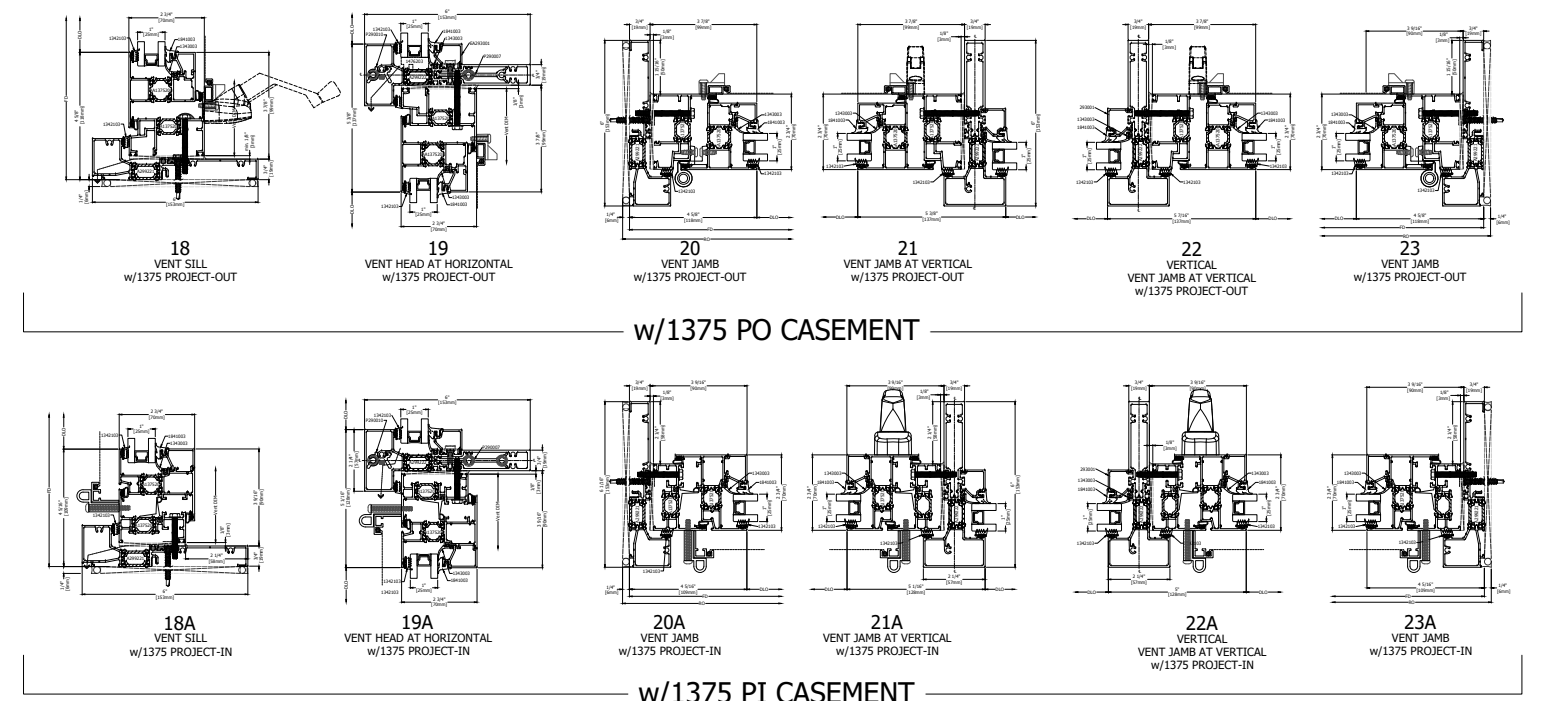
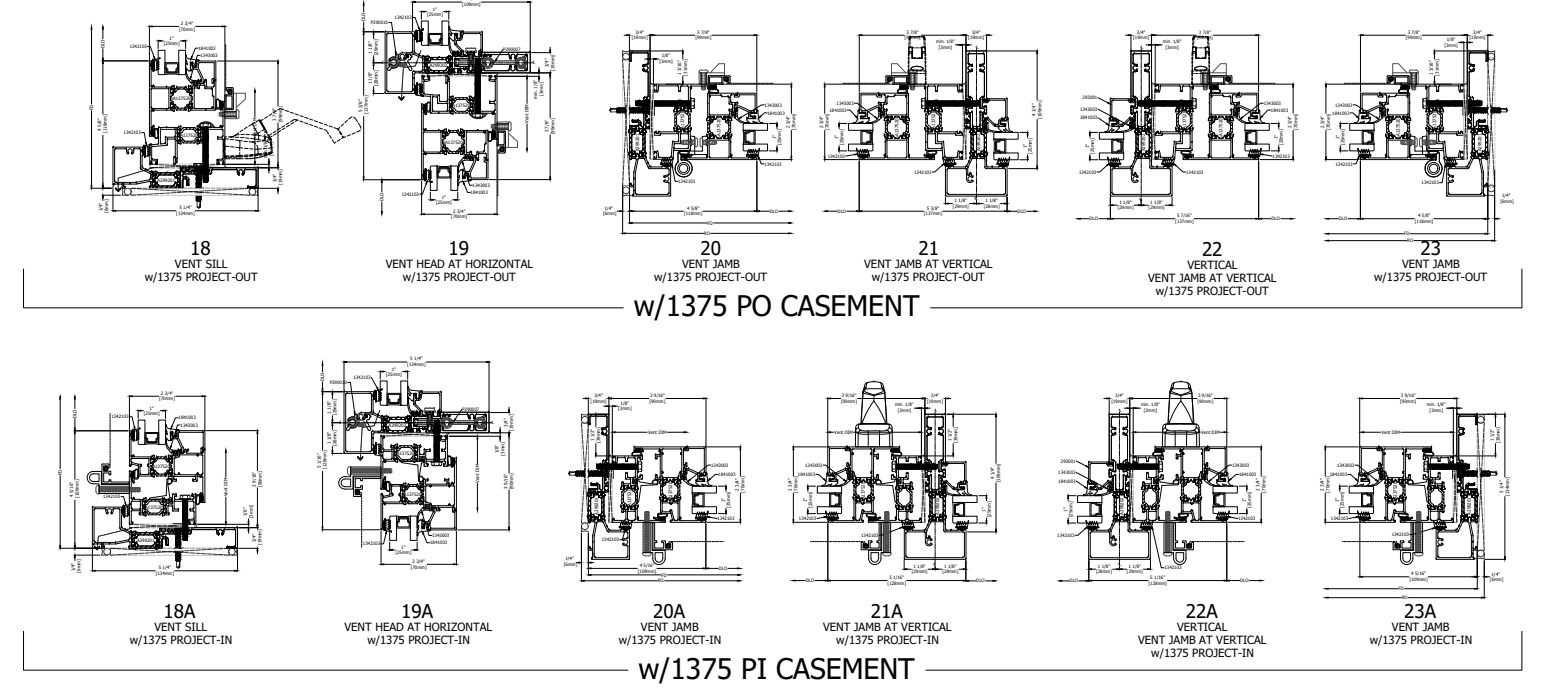
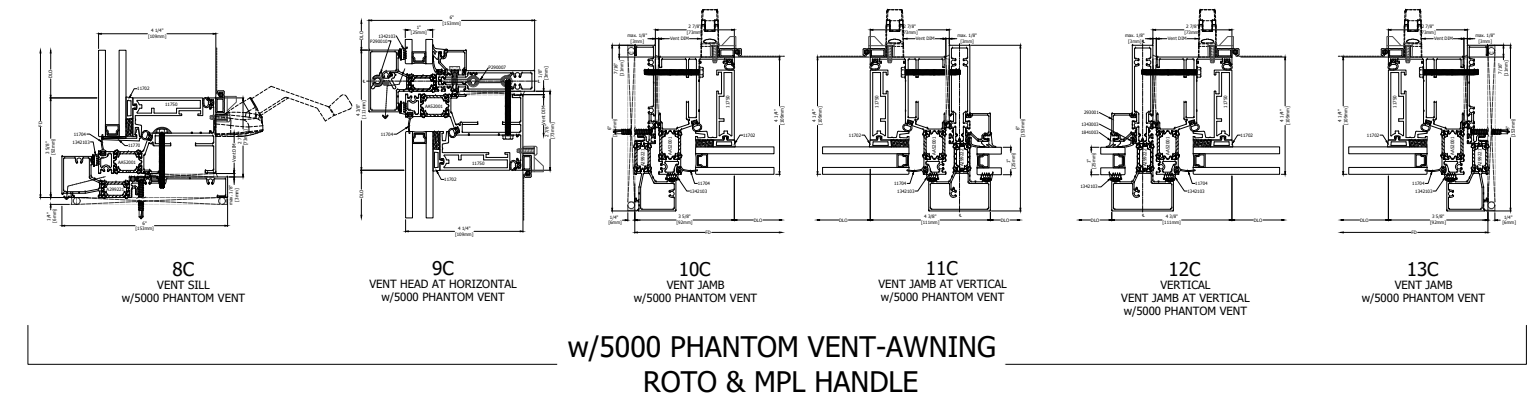
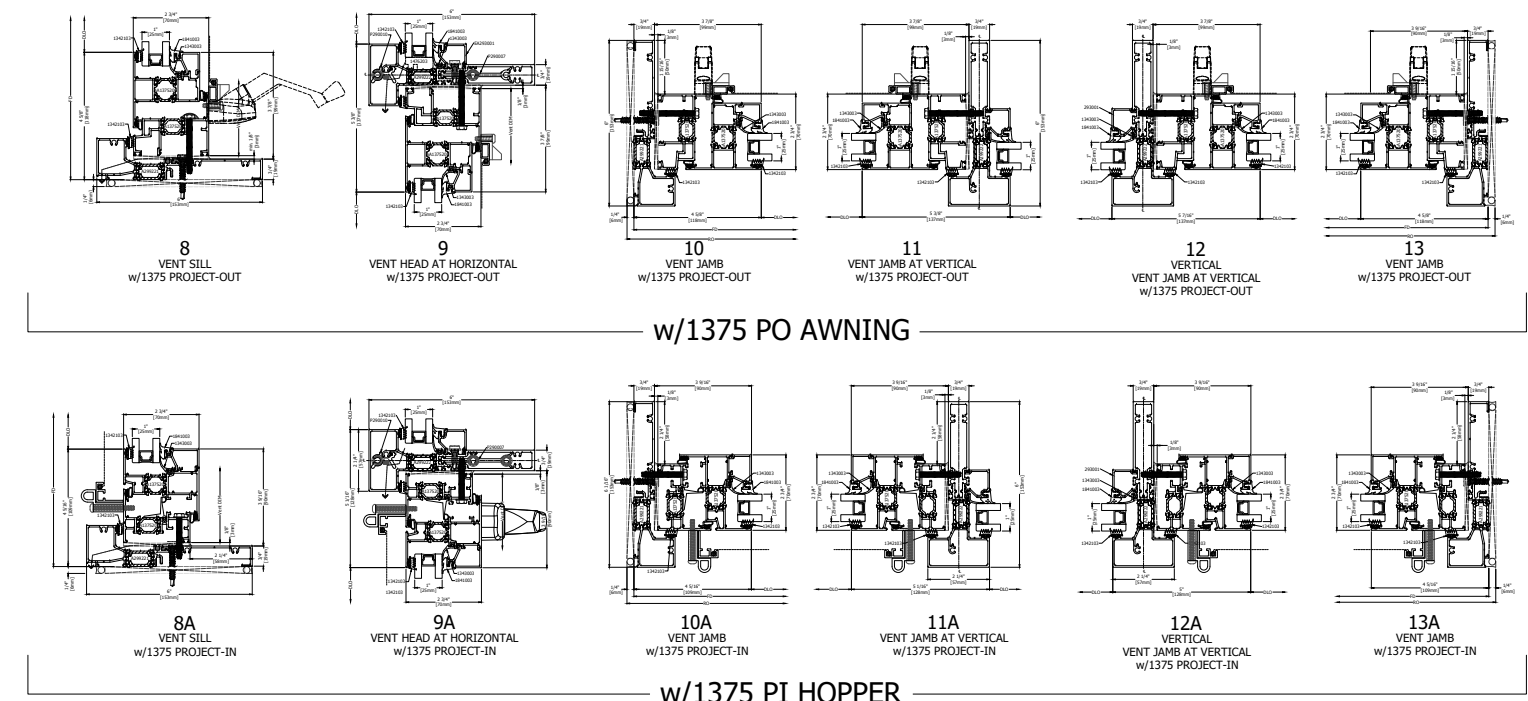
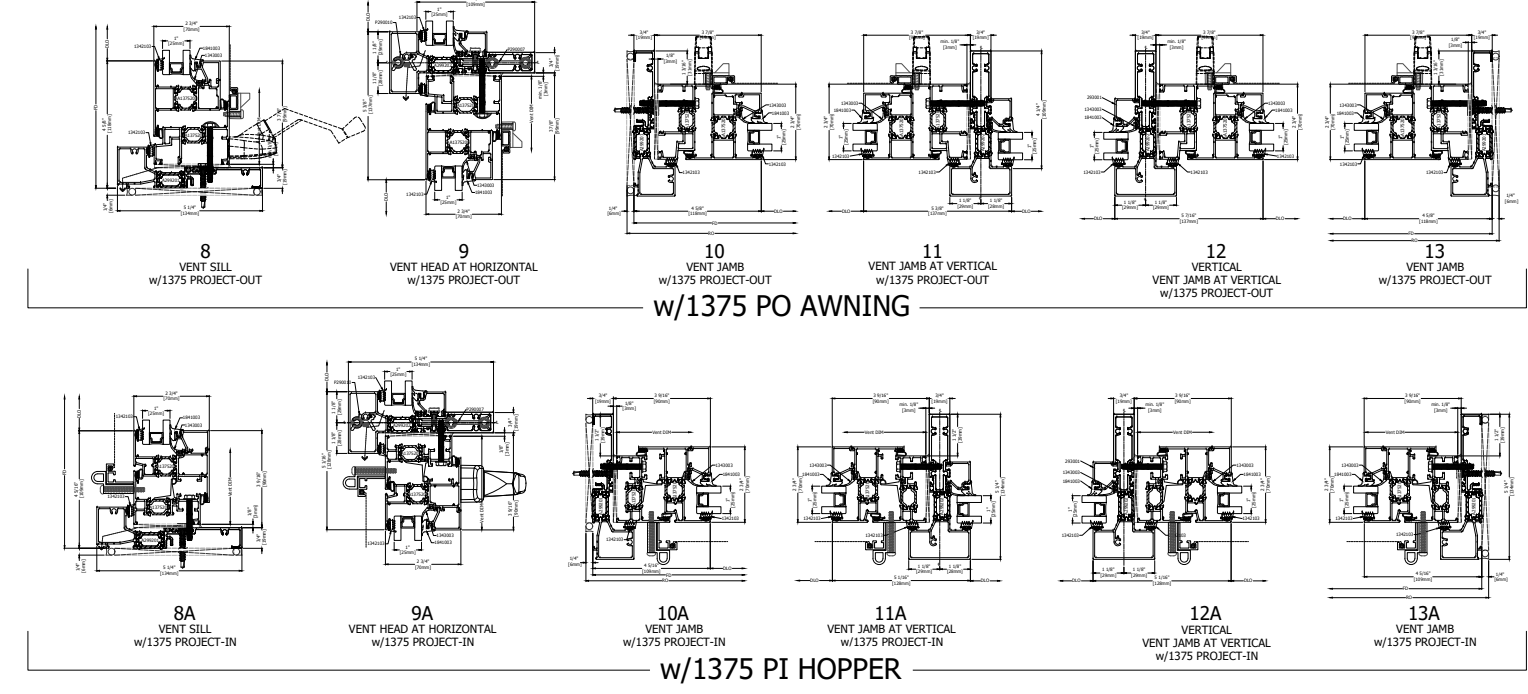
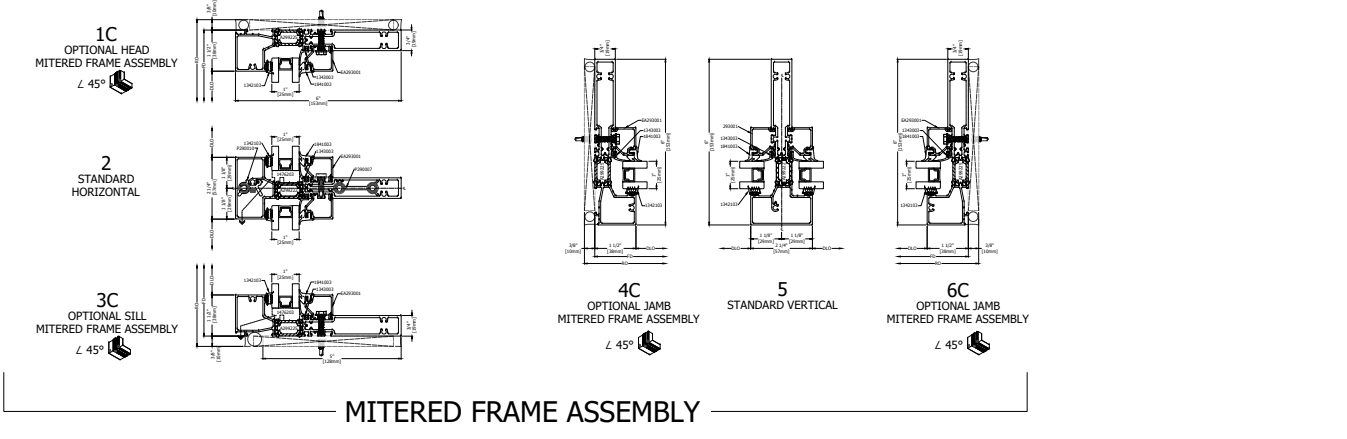
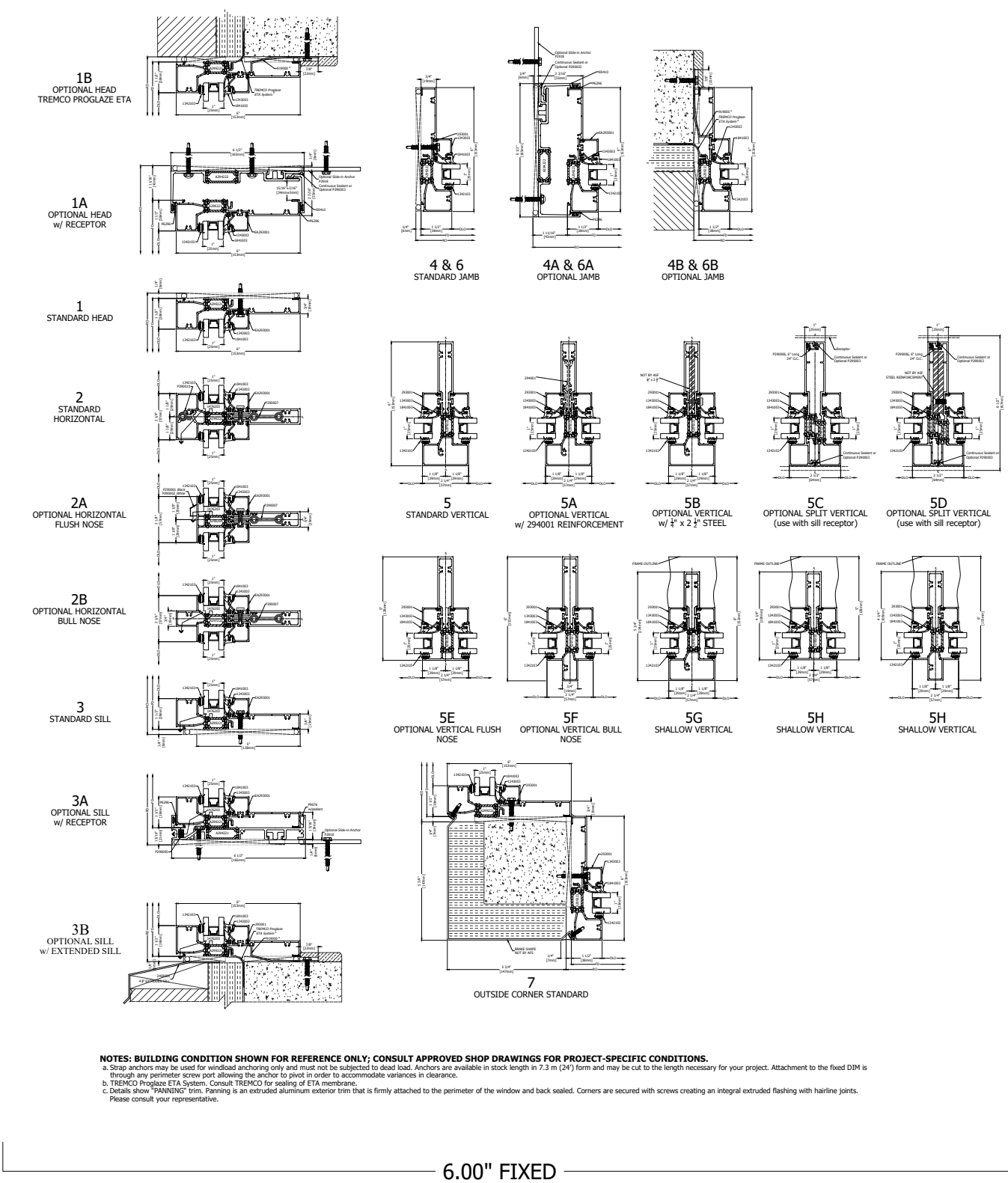
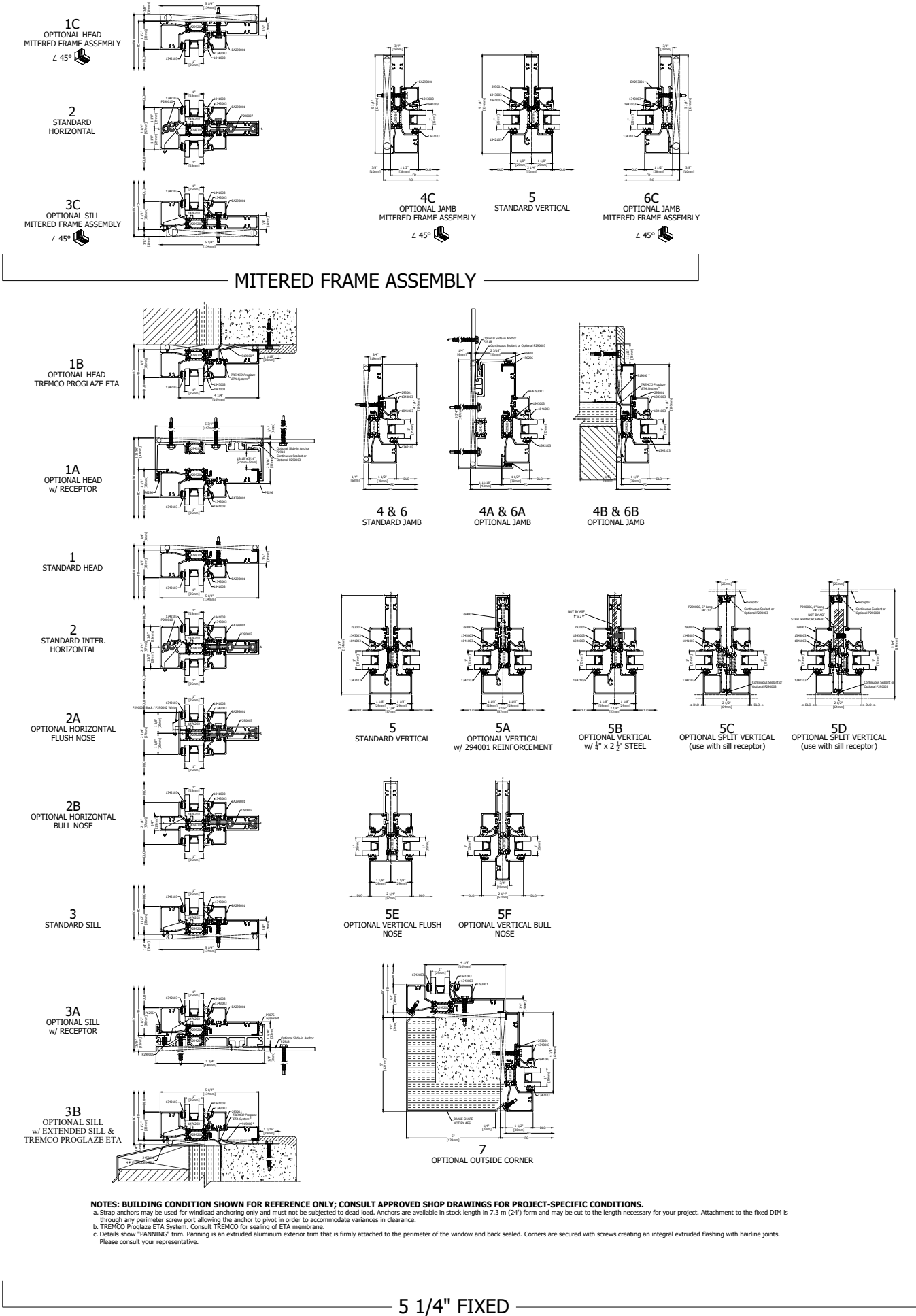


TYPICAL ELEVATION
2990AW
FEATURELINE

5 1/4\"/>

6.00\"/>



POSSIBLE READ THROUGH CONDITION