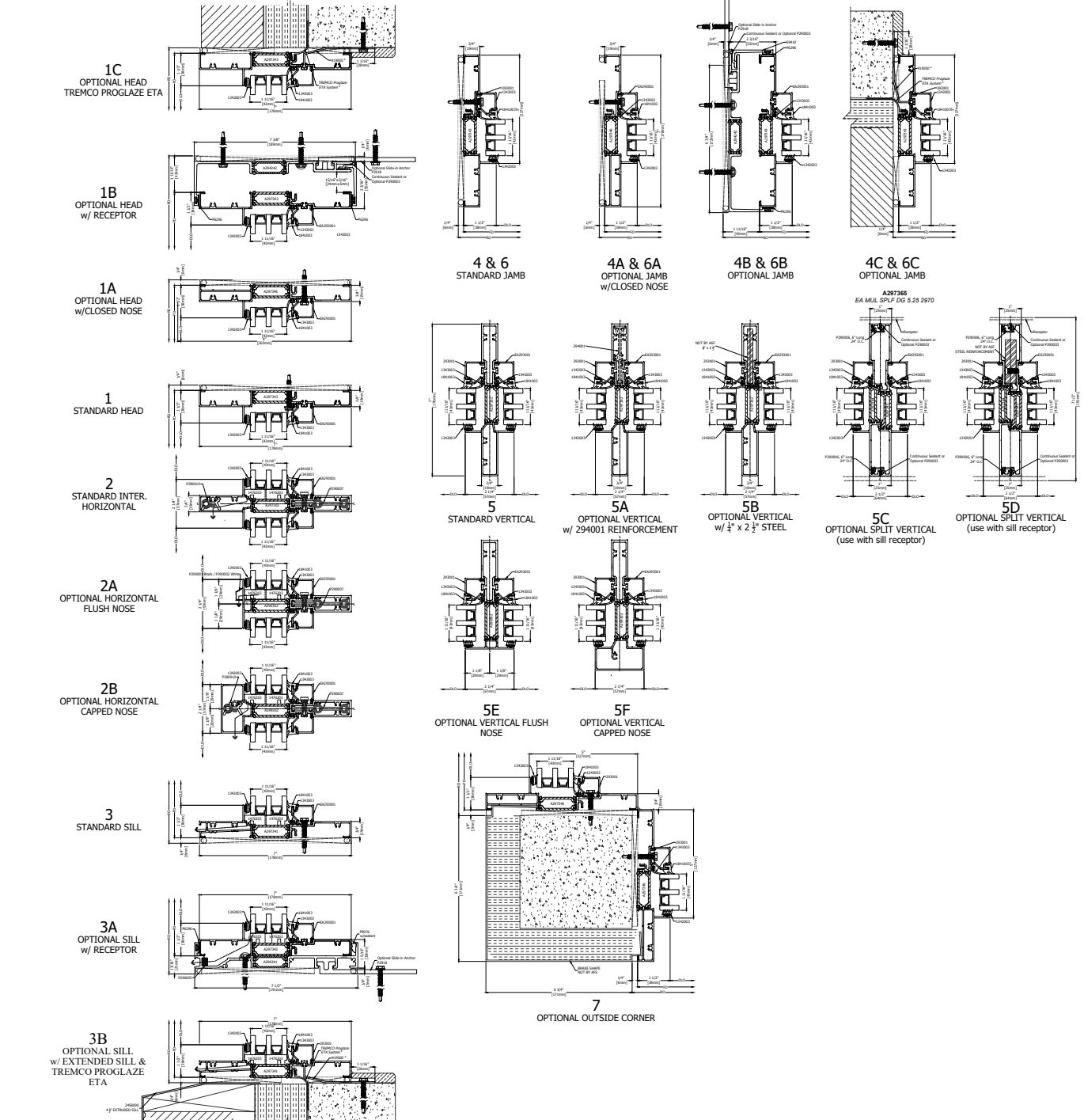


TYPICAL ELEVATION

**2970AW SHADOWLINE  
WITH 2" [51mm] NOSE  
TRIPLE GLAZED**

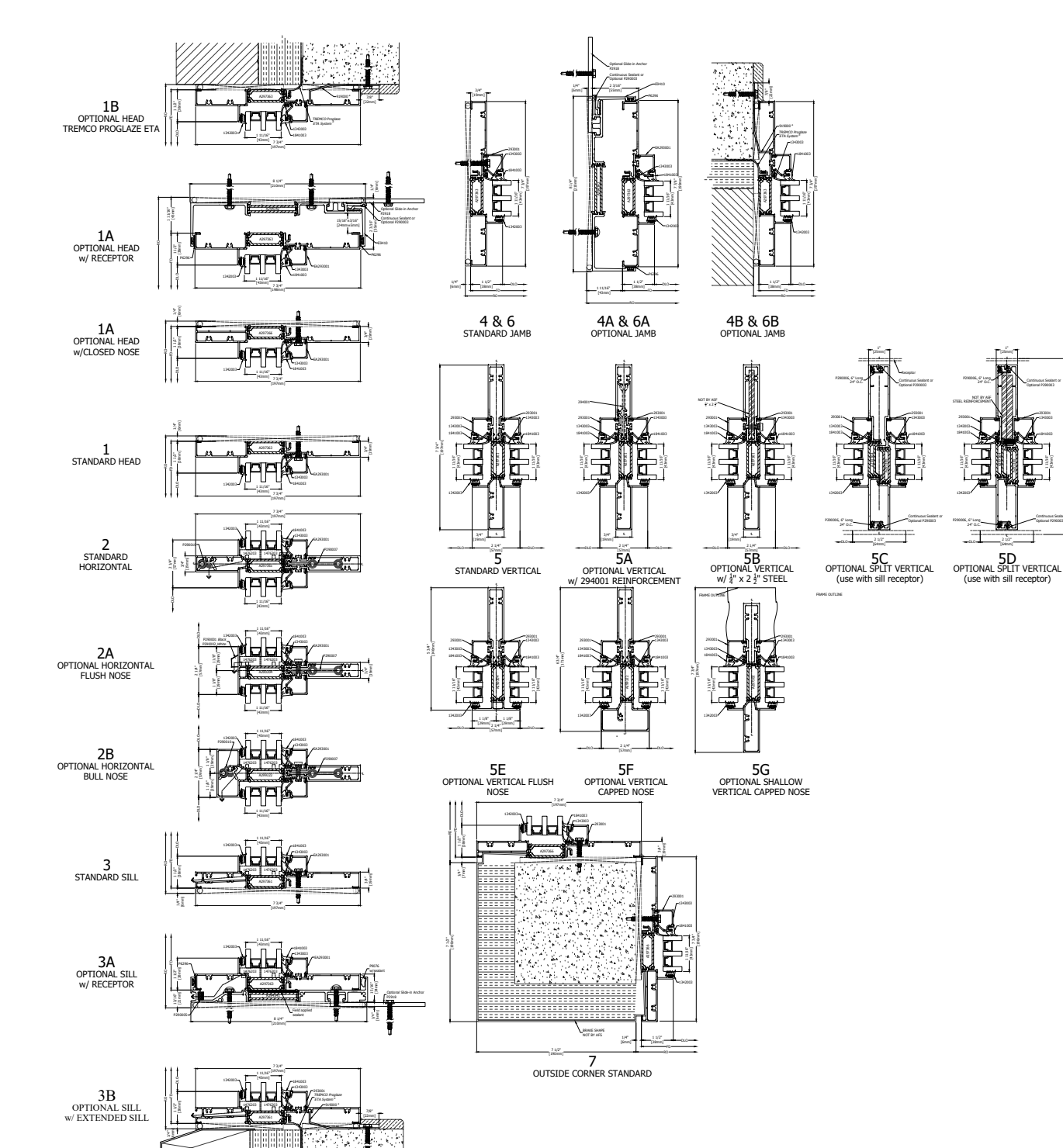


**MITERED FRAME ASSEMBLY**



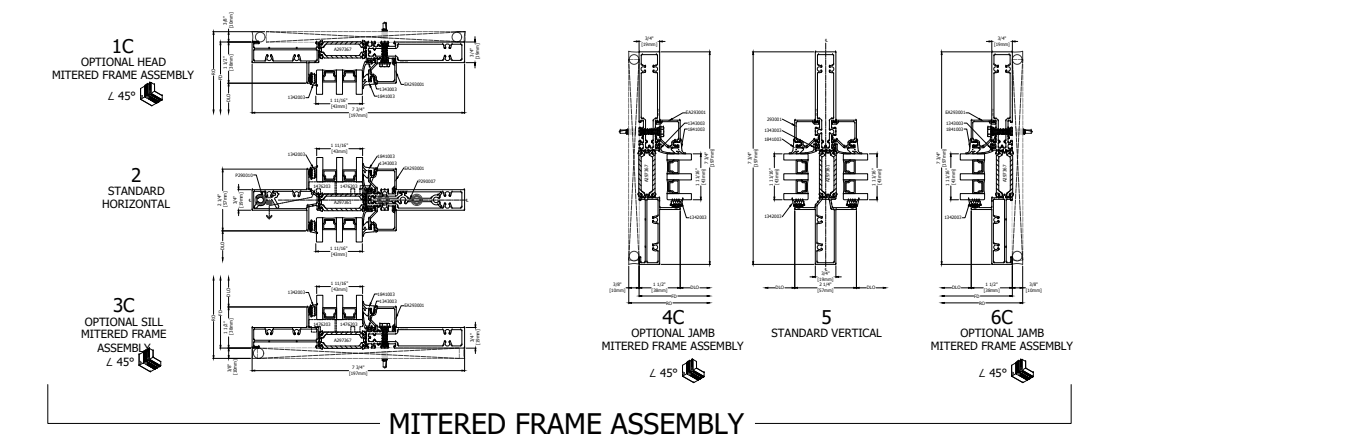
NOTES: BUILDING CONDITION SHOWN FOR REFERENCE ONLY. CONSULT APPROVED SHOP DRAWINGS FOR PROJECT-SPECIFIC CONDITIONS.  
 1. These drawings show vertical and horizontal dimensions for reference only. All dimensions are for the frame. Frame and glass dimensions are for reference only.  
 2. Standard glass is 1/2" thick and 1/4" thick. All glass is 1/2" thick and 1/4" thick. All glass is 1/2" thick and 1/4" thick.  
 3. Standard sills are 1/2" thick. All sills are 1/2" thick and 1/4" thick. All sills are 1/2" thick and 1/4" thick.  
 4. Standard jamb is 1/2" thick. All jamb is 1/2" thick and 1/4" thick. All jamb is 1/2" thick and 1/4" thick.  
 5. Standard glass is 1/2" thick and 1/4" thick. All glass is 1/2" thick and 1/4" thick. All glass is 1/2" thick and 1/4" thick.  
 6. Standard sills are 1/2" thick. All sills are 1/2" thick and 1/4" thick. All sills are 1/2" thick and 1/4" thick.  
 7. Standard jamb is 1/2" thick. All jamb is 1/2" thick and 1/4" thick. All jamb is 1/2" thick and 1/4" thick.

**FIXED**

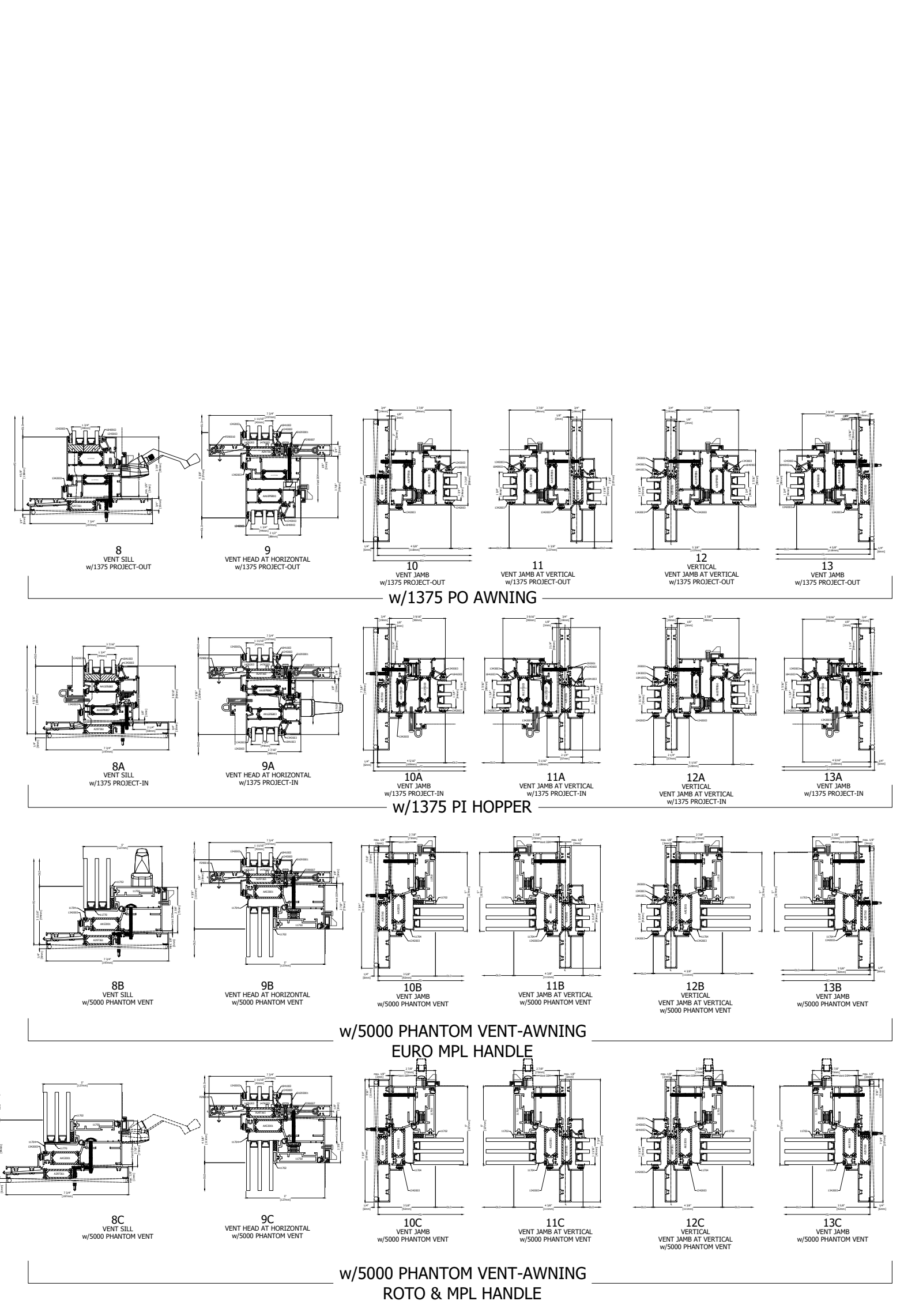
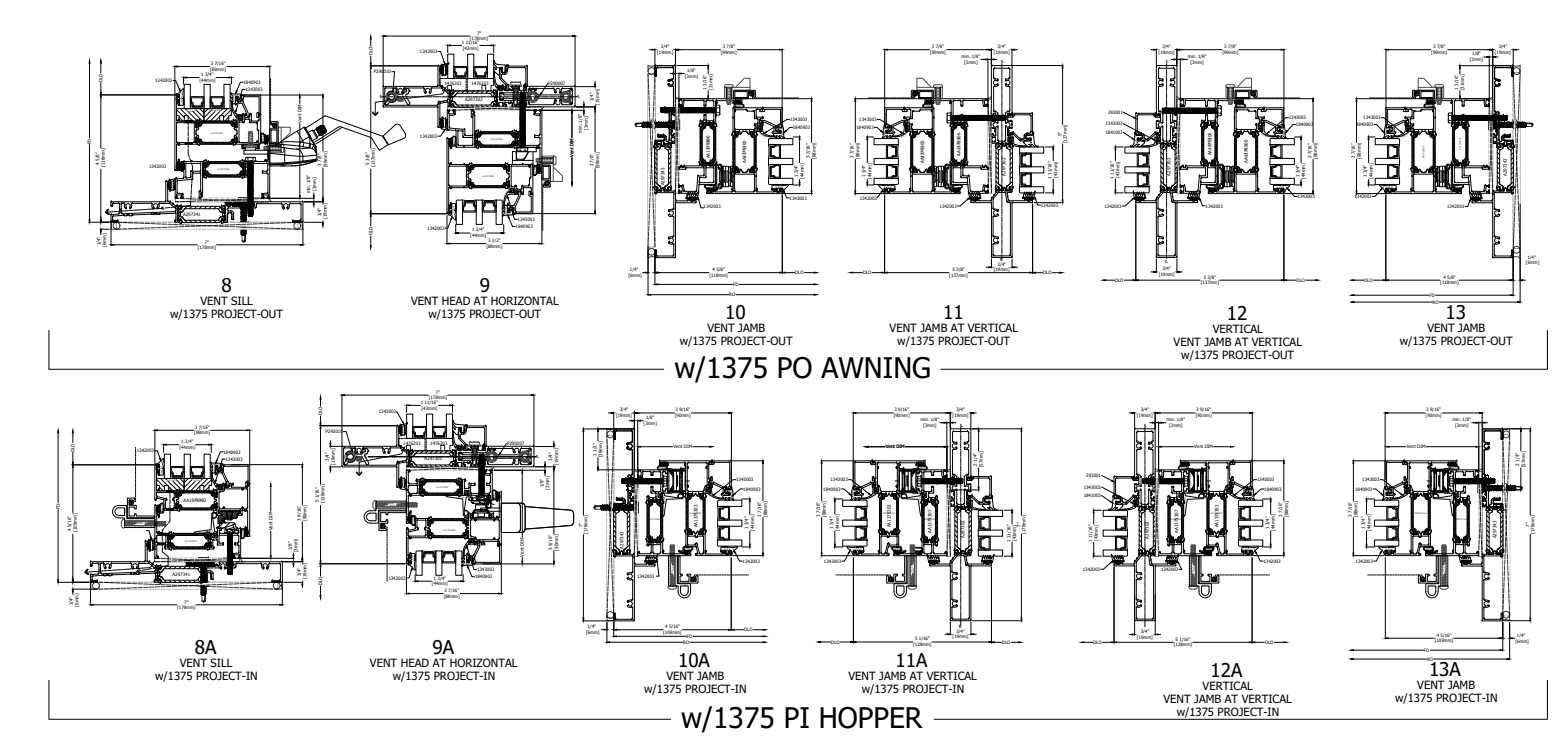


NOTES: BUILDING CONDITION SHOWN FOR REFERENCE ONLY. CONSULT APPROVED SHOP DRAWINGS FOR PROJECT-SPECIFIC CONDITIONS.  
 1. These drawings show vertical and horizontal dimensions for reference only. All dimensions are for the frame. Frame and glass dimensions are for reference only.  
 2. Standard glass is 1/2" thick and 1/4" thick. All glass is 1/2" thick and 1/4" thick. All glass is 1/2" thick and 1/4" thick.  
 3. Standard sills are 1/2" thick. All sills are 1/2" thick and 1/4" thick. All sills are 1/2" thick and 1/4" thick.  
 4. Standard jamb is 1/2" thick. All jamb is 1/2" thick and 1/4" thick. All jamb is 1/2" thick and 1/4" thick.  
 5. Standard glass is 1/2" thick and 1/4" thick. All glass is 1/2" thick and 1/4" thick. All glass is 1/2" thick and 1/4" thick.  
 6. Standard sills are 1/2" thick. All sills are 1/2" thick and 1/4" thick. All sills are 1/2" thick and 1/4" thick.  
 7. Standard jamb is 1/2" thick. All jamb is 1/2" thick and 1/4" thick. All jamb is 1/2" thick and 1/4" thick.

**FIXED**



**MITERED FRAME ASSEMBLY**



POSSIBLE READ THROUGH CONDITION

