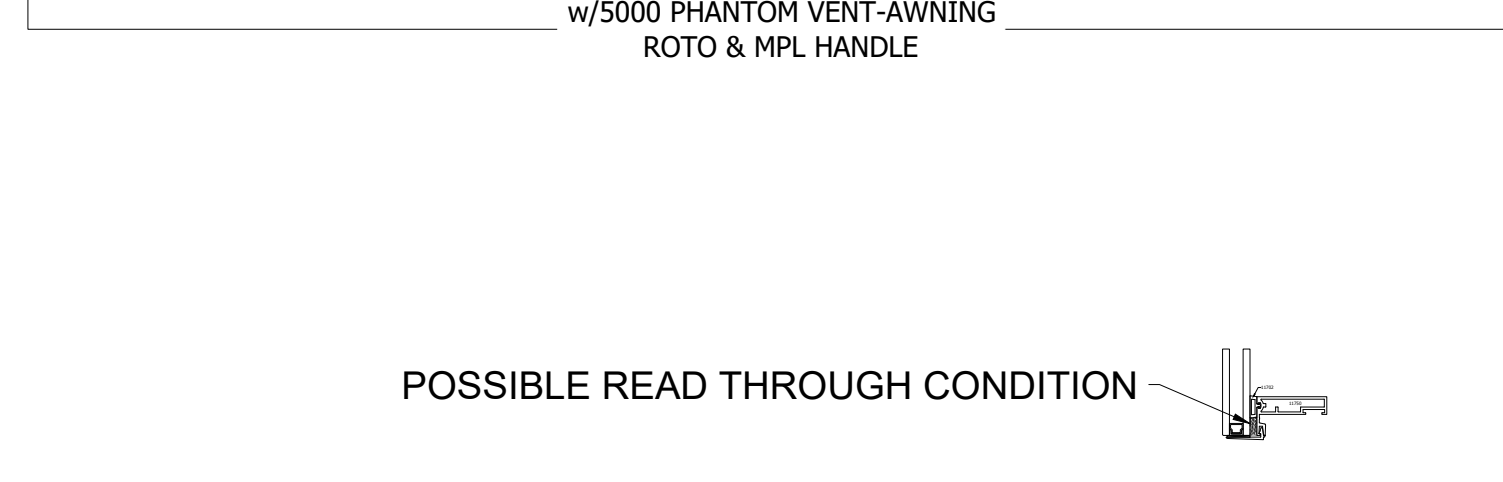
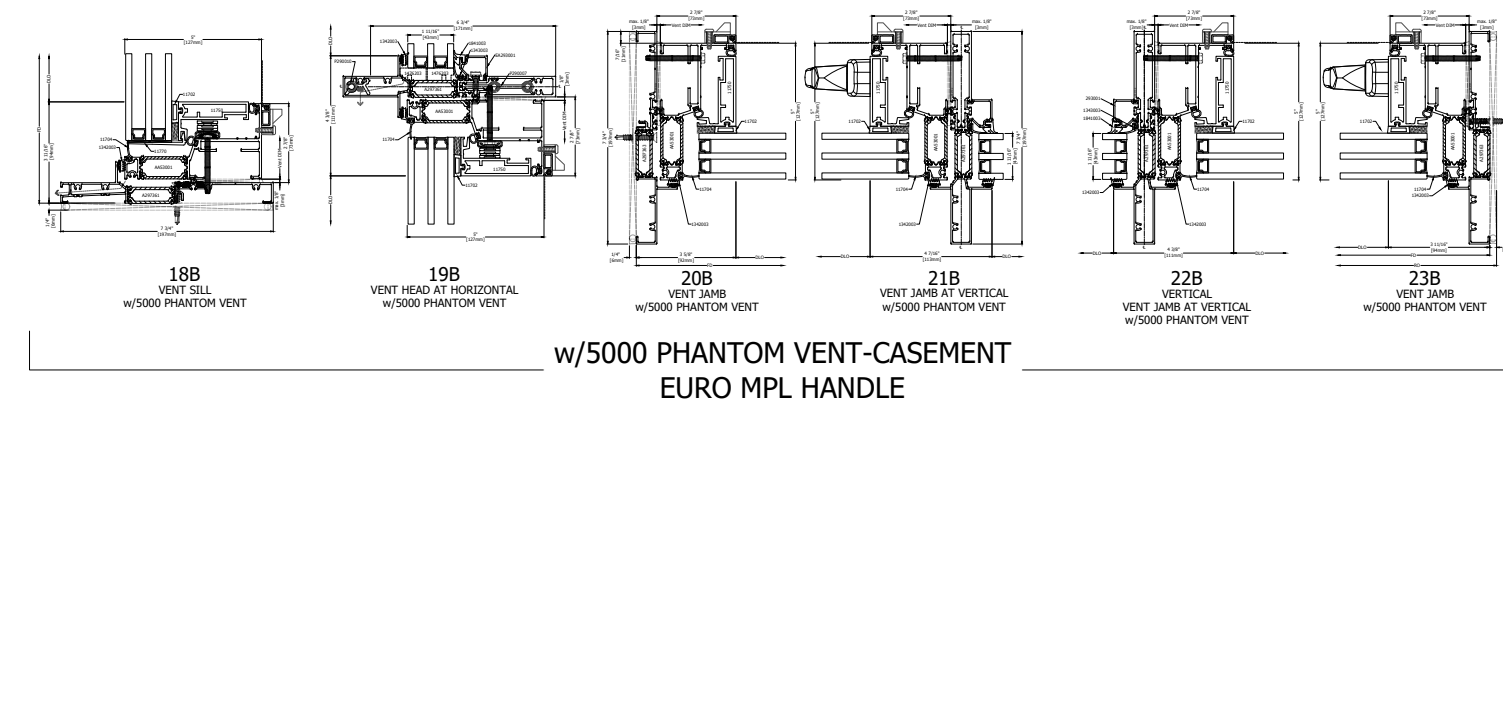
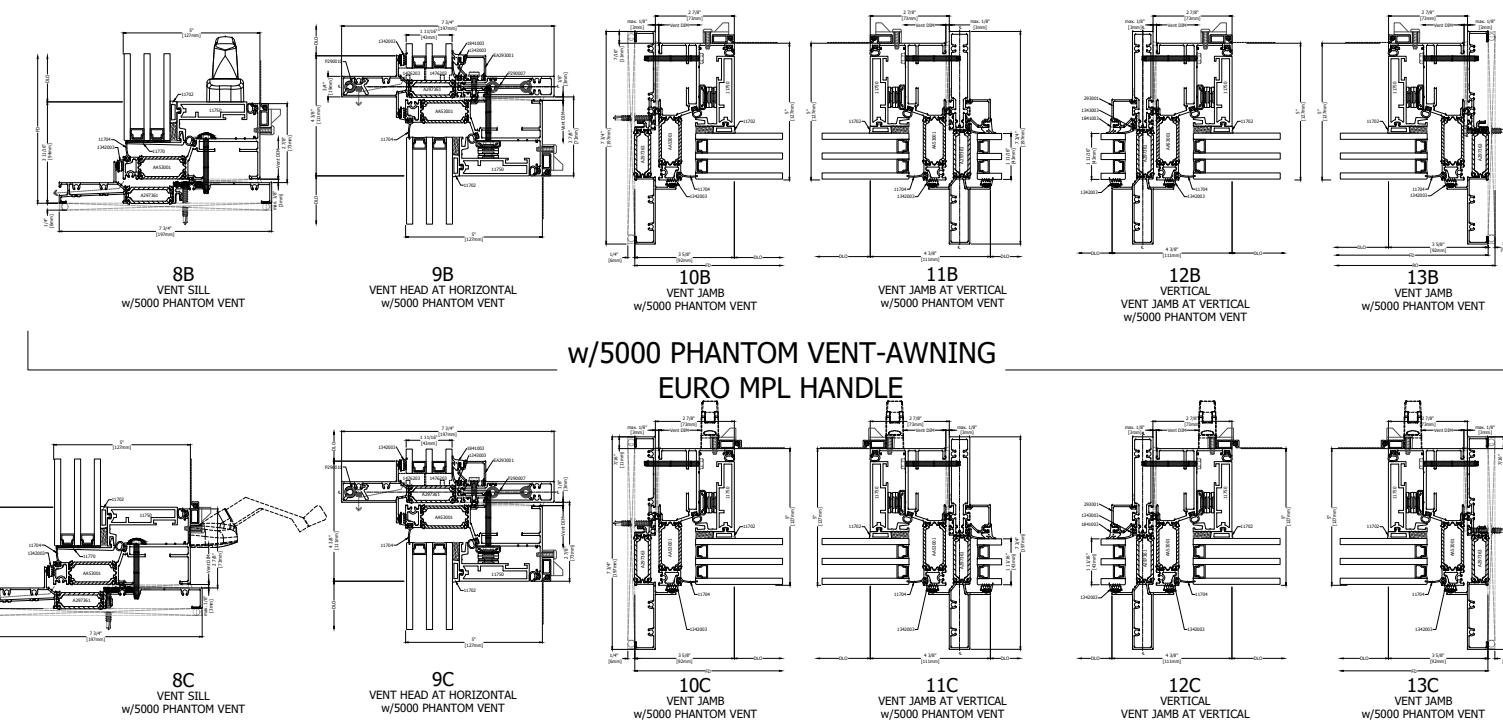
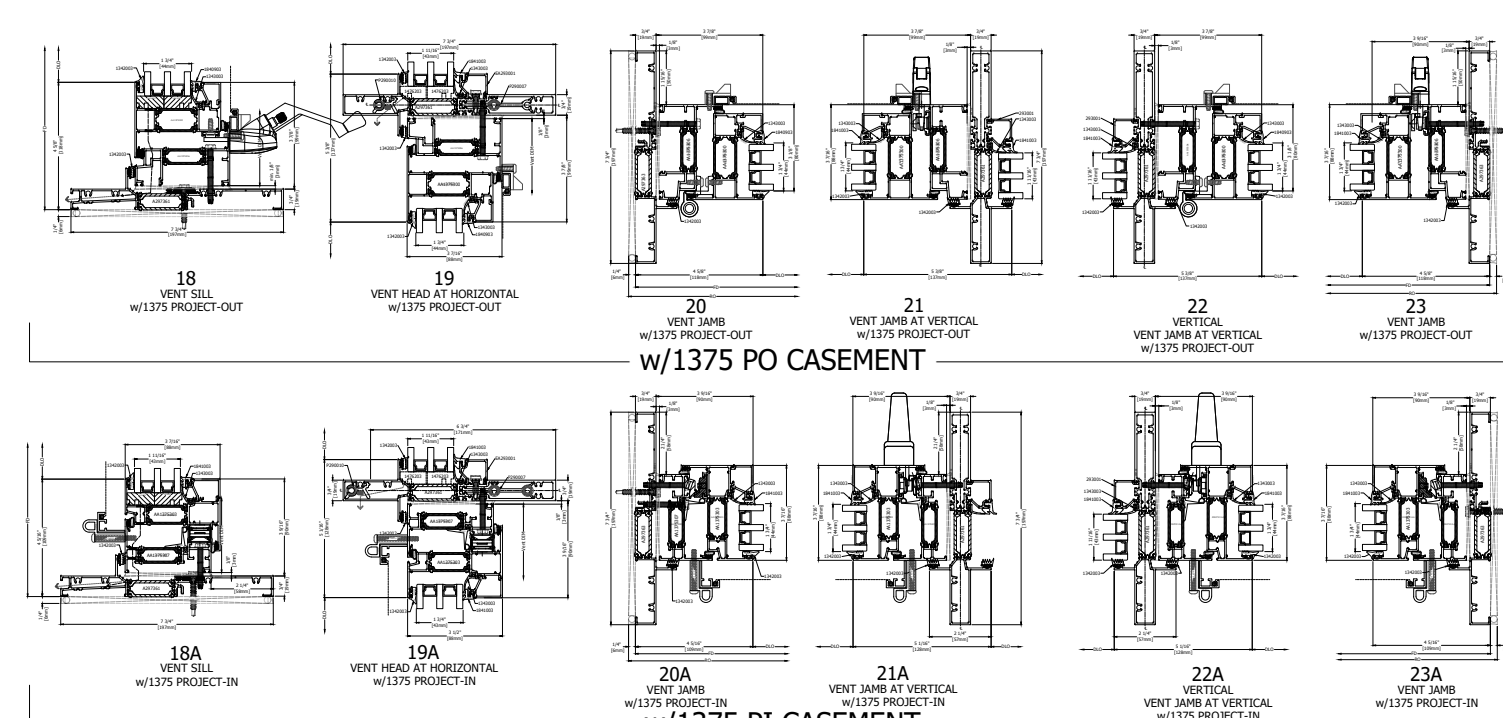
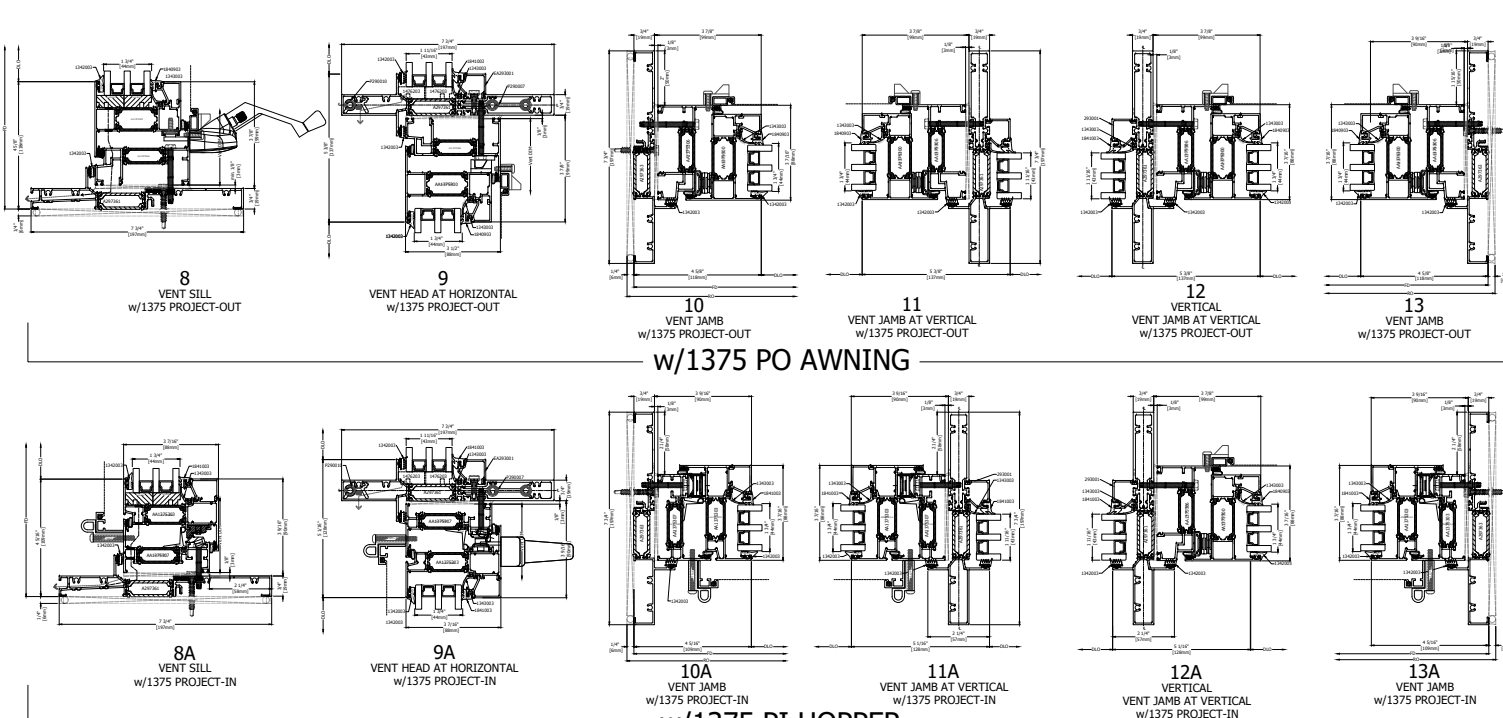
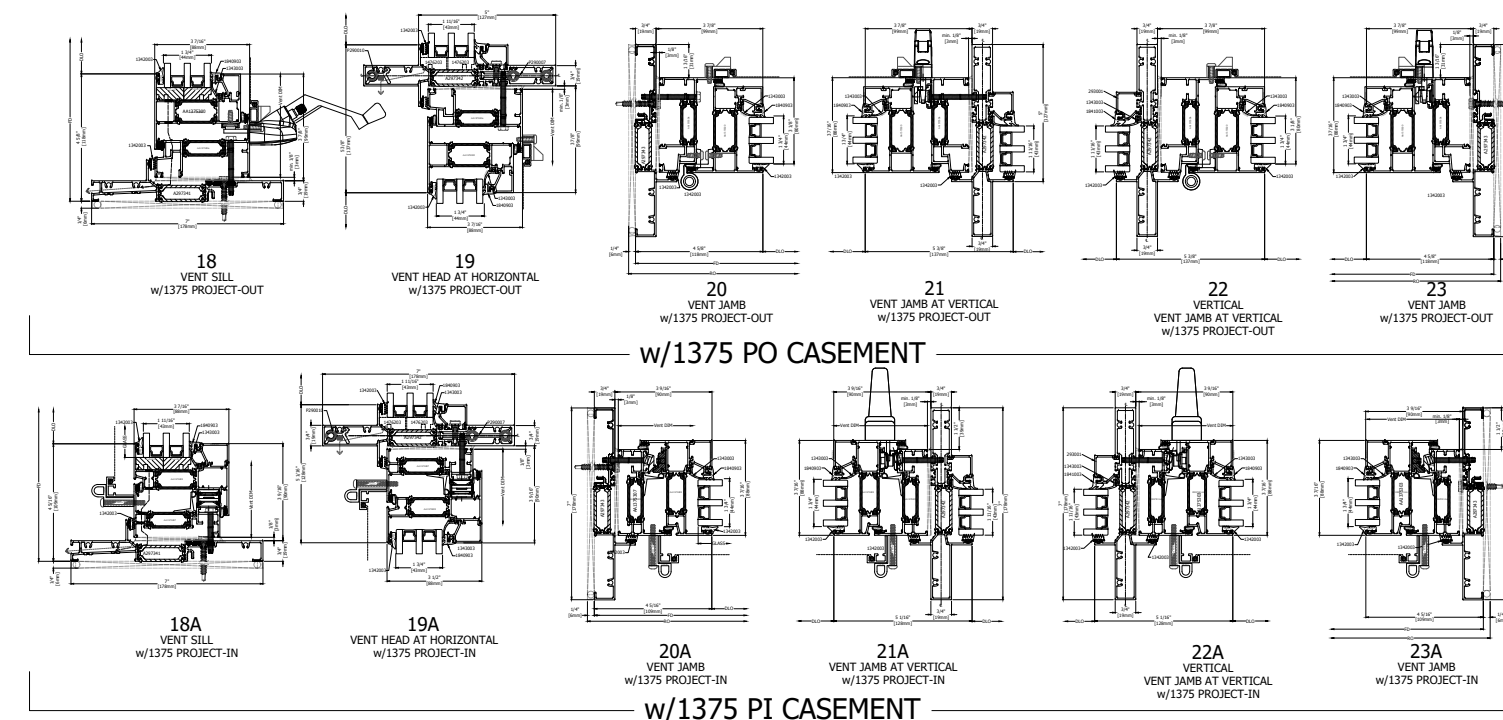
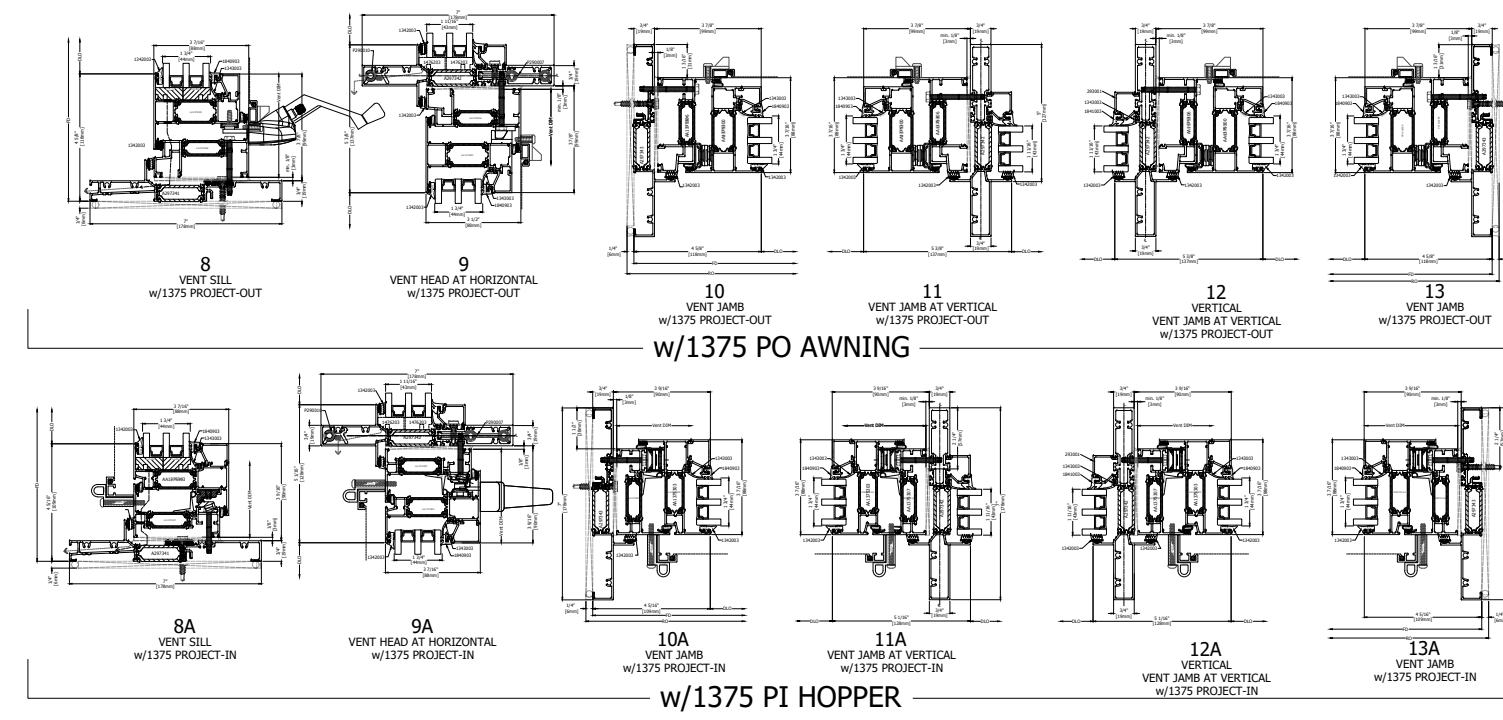
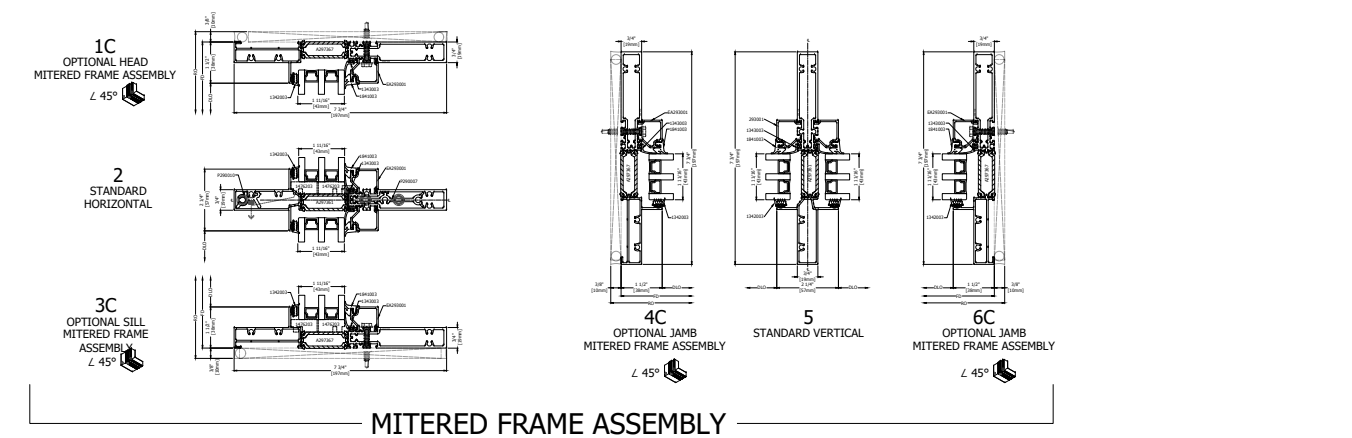
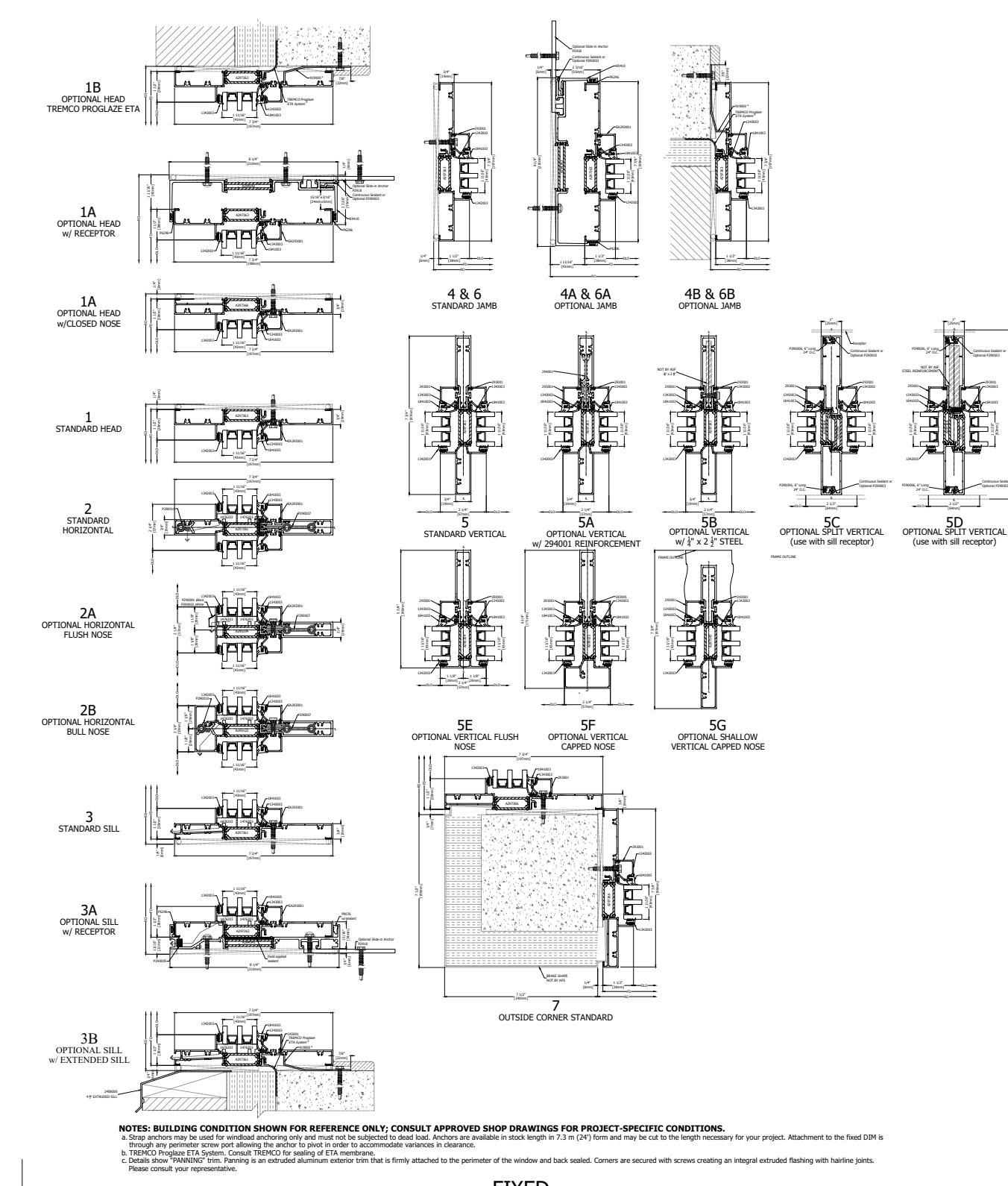
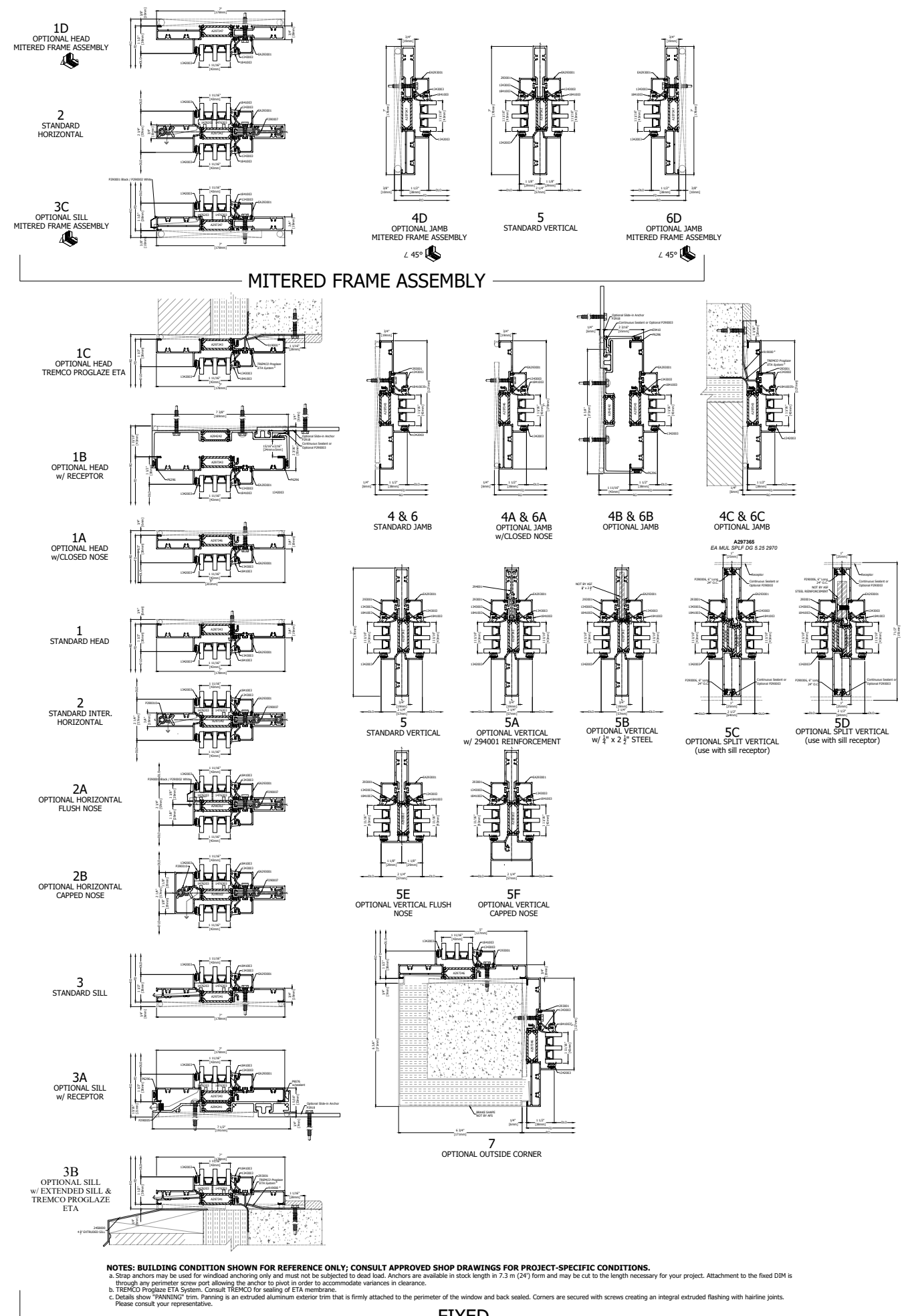


TYPICAL ELEVATION

**2970AW SHADOWLINE  
WITH 2" [51mm] NOSE  
TRIPLE GLAZED**

7" DEEP SYSTEM

7 3/4" DEEP SYSTEM



POSSIBLE READ THROUGH CONDITION