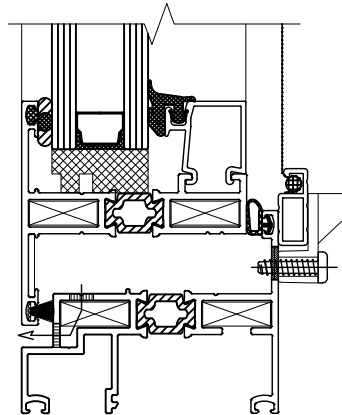


UniVent 1350

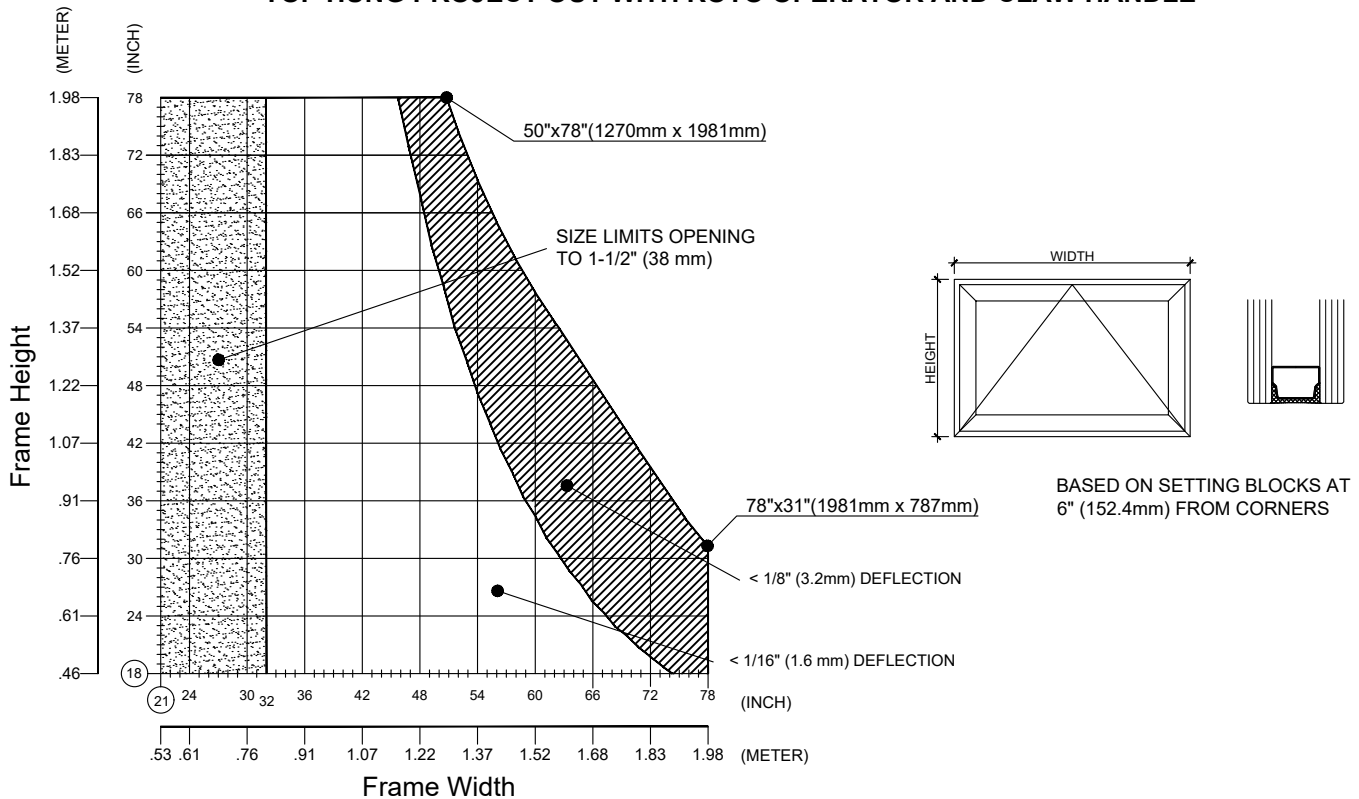
Versatile projecting operable insert

Fenêtre à bascule et à battant ouvrant vers l'intérieur ou l'extérieur



Frame size charts.....	3.1.1.1 - 3.1.1.12
<i>Graphiques des dimensions de cadre</i>	3.1.1.13 - 3.1.1.24
Glass size chart.....	3.1.2.1
<i>Dimensions du vitrage</i>	
Thermal Simulation chart.....	3.1.3.1 - 3.1.3.3
<i>Graphiques de simulation thermique</i>	3.1.3.4 - 3.1.3.6
Typical Details / <i>Détails typiques</i>	3.1.4.1 - 3.1.4.20
Double glazed / <i>Double vitrage</i>	3.1.4.1 - 3.1.4.10
Triple glazed / <i>Triple vitrage</i>	3.1.4.11 - 3.1.4.20

TOP HUNG PROJECT OUT WITH ROTO OPERATOR AND CLAW HANDLE



Charts are based upon an insulating glass unit infill of 1" (25.4mm) overall thickness comprised of 6mm glass/13mm gas fill/6mm glass

Using this chart:

- Ensure your largest maximum vent size falls within the above size limitation chart
- Maximum sizes 50" wide x 78" high (1270mm wide x 1981mm high) or 78" wide x 31" high (1981mm wide x 787mm high)
- NAFS CW-PG70

Standard vent hardware includes the following:

- One pair stainless steel friction arms
- One roto operator and two locking claw handles
- Glass stop for 1" (25.4mm) glazing
- Interior glazing spline

Optional extras (must be specified at time of ordering or quotation):

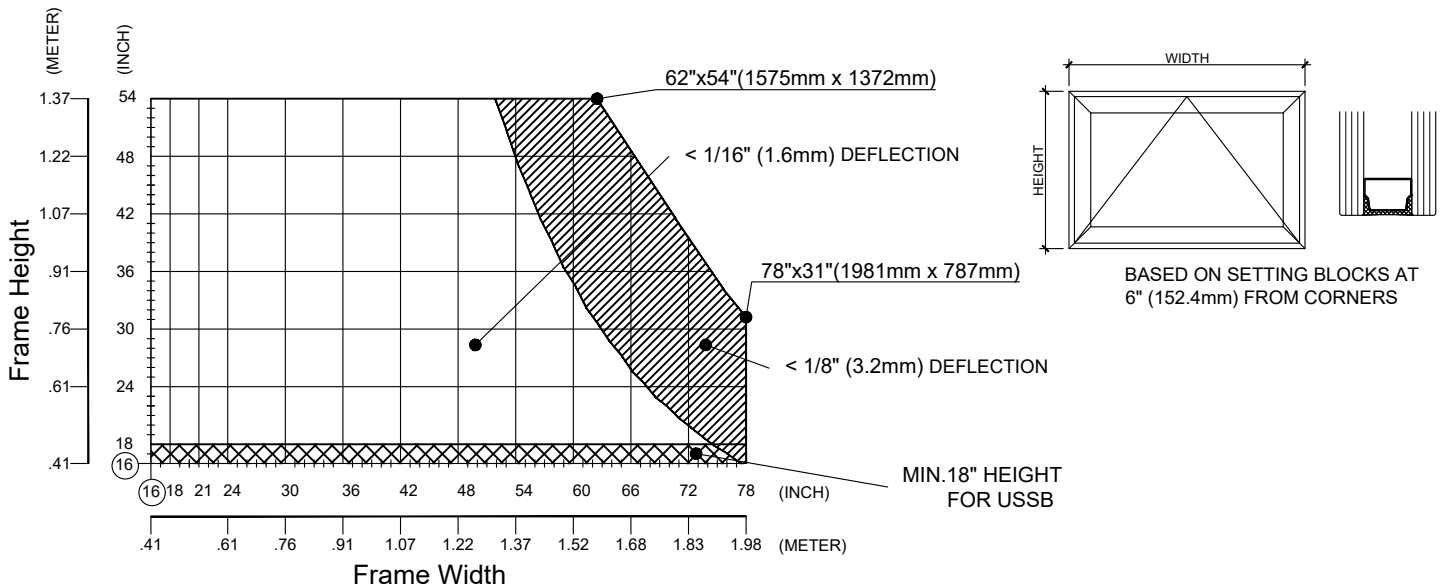
- Insect screen (fibreglass or aluminum mesh)
- Sash limiters
- Two or more butt hinges
- Hardware other than standard

WINDOW SIZES LARGER THAN THOSE SHOWN ON THE (MAX./MIN.) SIZE CHARTS MAY BE ACCOMMODATED, PLEASE CONTACT YOUR ALUMICOR REPRESENTATIVE FOR LIMITATIONS AND RECOMMENDATIONS.

"Alumicor does not provide preps for actuators or attach actuators to vents. Alumicor does not guarantee any air or water performance levels when actuators are installed on the vents. Please note that custom screen sill or jamb mounts and non-standard screen sizes will be required if screens are used with actuators. Alumicor does not prep or supply custom screen mounts."

Pour la version en français, veuillez voir la page : 3.1.1.13

TOP HUNG PROJECT OUT VENT WITH CAM HANDLES OR USSB



Charts are based upon an insulating glass unit infill of 1" (25.4mm) overall thickness comprised of 6mm glass/13mm gas fill/6mm glass

Using this chart:

- Ensure your largest maximum vent size falls within the above size limitation chart
- Maximum sizes 62" wide x 54" high (1575mm wide x 1372mm high) or 78" wide x 31" high (1981mm x 787mm)
- NAFS CW-PG70

Standard vent hardware includes the following:

- One pair stainless steel friction arms
- One or two cam handles (as required)
- Glass stop for 1" (25.4mm) glazing
- Interior glazing spline

Optional extras (must be specified at time of ordering or quotation):

- Custodial lock
- Sash limiters
- Under screen stay bars
- Hardware other than standard

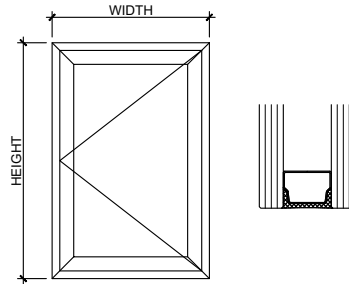
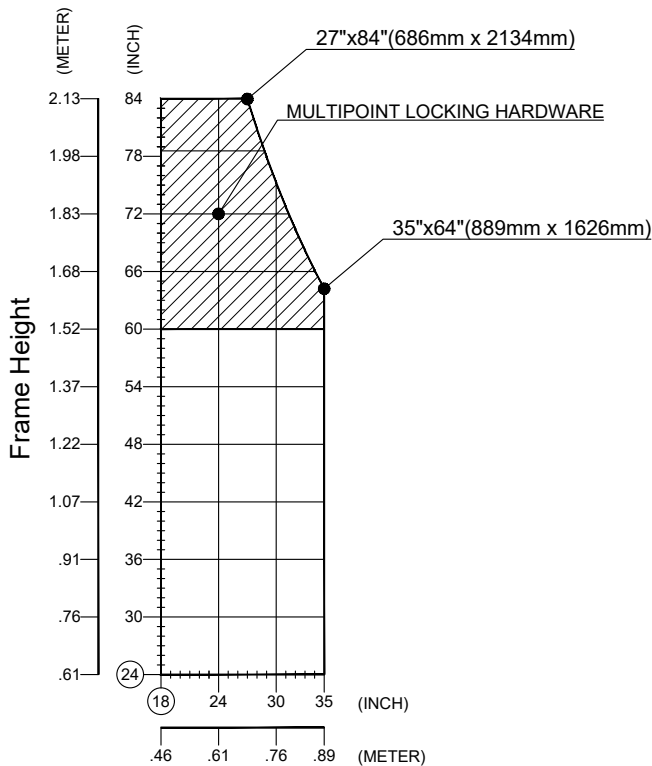
ALUMICOR DOES NOT RECOMMEND THE USE OF UNDER-SCREEN STAY BAR OPERATING HARDWARE. DUE TO THE INHERENT NATURE OF THIS TYPE OF HARDWARE, ALUMICOR DOES NOT GUARANTEE SUCCESSFUL SITE TESTING FOR AIR AND WATER LEAKAGE WHEN UNDER-SCREEN STAY BAR OPERATORS ARE USED.

WINDOW SIZES LARGER THAN THOSE SHOWN ON THE (MAX./MIN.) SIZE CHARTS **MAY** BE ACCOMMODATED, PLEASE CONTACT YOUR ALUMICOR REPRESENTATIVE FOR LIMITATIONS AND RECOMMENDATIONS.

"Alumicor does not provide preps for actuators or attach actuators to vents. Alumicor does not guarantee any air or water performance levels when actuators are installed on the vents. Please note that custom screen sill or jamb mounts and non-standard screen sizes will be required if screens are used with actuators. Alumicor does not prep or supply custom screen mounts."

Pour la version en français, veuillez voir la page : 3.1.1.14

SIDE HUNG PROJECT OUT WITH ROTO-OPERATOR, CLAW HANDLE & REMOTE LOCK OR MULTIPOINT LOCKING



BASED ON SETTING BLOCKS AT 6" (152.4mm) FROM CORNERS

Casement Width Exceeding 65% of Height Is Not Recommended Consult THPO Charts

VENT DEFLECTION < 1/16" (1.6mm) SIZE CHART

Charts are based upon an insulating glass unit infill of 1" (25.4mm) overall thickness comprised of 6mm glass/13mm gas fill/6mm glass

Using this chart:

- Ensure your largest maximum casement size falls within the above size limitation chart
- Maximum sizes 27" wide x 84" high (686mm wide x 2134mm high) or 35" wide x 64" high (889mm wide x 1626mm high)
- NAFS CW-PG70

Standard casement hardware includes the following:

- One single arm roto-operator
- Two or more butt hinges (as dictated by vent size)
- Claw handle and remote lock as required or multipoint locking with extension bars for casement height 60" (1524mm) or greater
- Glass stop for 1" (25.4mm) glazing
- Interior glazing spline
- Friction limiter

Optional extras (must be specified at time of ordering or quotation):

- Insect screen (fibreglass or aluminum mesh)
- Custodial lock
- Sash limiters
- Hardware other than standard

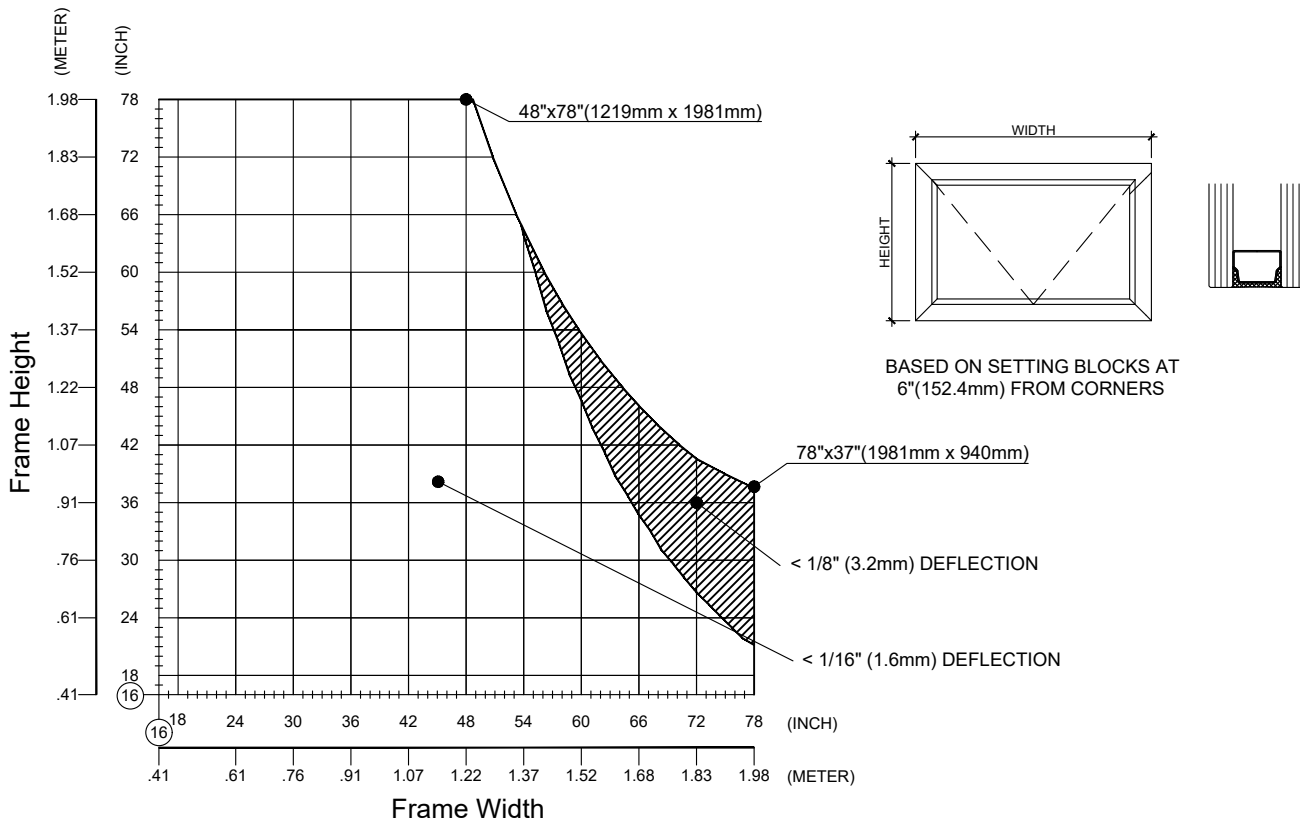
WINDOW SIZES LARGER THAN THOSE SHOWN ON THE (MAX./MIN.) SIZE CHARTS **MAY** BE ACCOMMODATED, PLEASE CONTACT YOUR ALUMICOR REPRESENTATIVE FOR LIMITATIONS AND RECOMMENDATIONS.

"Alumicor does not provide preps for actuators or attach actuators to vents. Alumicor does not guarantee any air or water performance levels when actuators are installed on the vents.

Please note that custom screen sill or jamb mounts and non-standard screen sizes will be required if screens are used with actuators. Alumicor does not prep or supply custom screen mounts."

Pour la version en français, veuillez voir la page : 3.1.1.15

BOTTOM HUNG PROJECT IN WITH MULTIPOINT LOCKING



Charts are based upon an insulating glass unit infill of 1" (25.4mm) overall thickness comprised of 6mm glass/13mm gas fill/6mm glass

Using this chart:

- Ensure your largest maximum vent size falls within the above size limitation chart
- Maximum sizes 48" wide x 78" high (1219mm wide x 1981mm high) or 78" wide x 37" high (1981mm wide x 940mm high)
- NAFS CW-PG70

Standard vent hardware includes the following:

- One pair stainless steel friction arms
- One multipoint locking handle with two or more keepers and locking points (as dictated by vent size)
- Glass stop for 1" (25.4mm) glazing
- Interior glazing spline

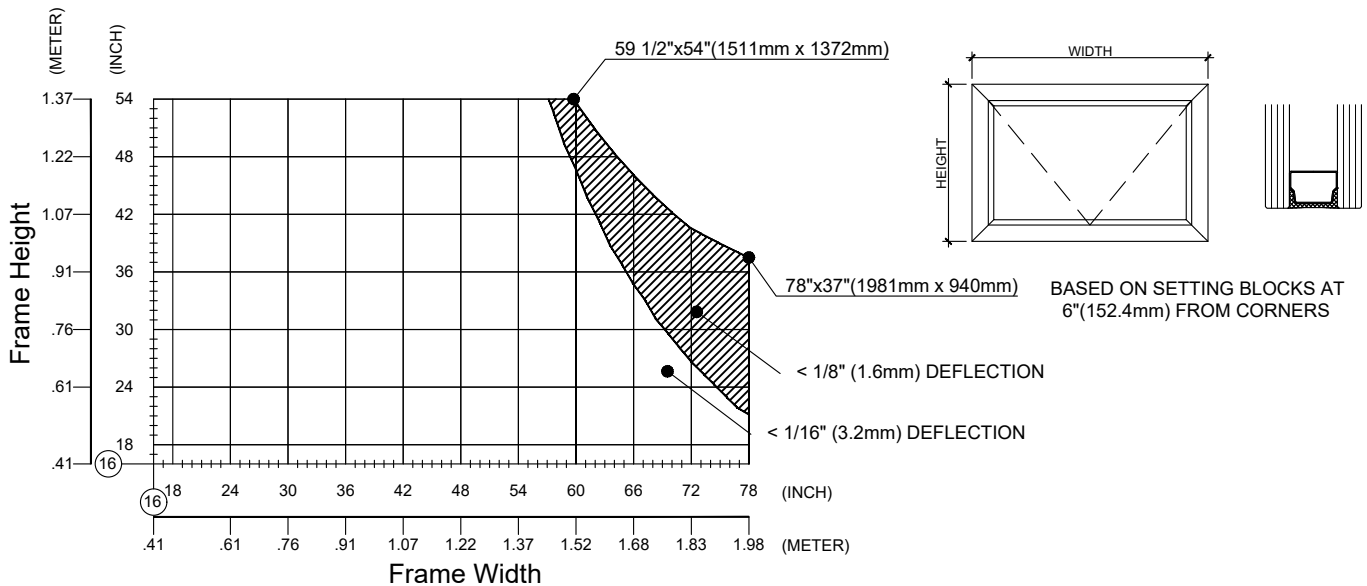
Optional extras (must be specified at time of ordering or quotation):

- Insect screen (fibreglass or aluminum mesh)
- Custodial lock
- Spring catch
- Sash limiters
- Hardware other than standard

WINDOW SIZES LARGER THAN THOSE SHOWN ON THE (MAX./MIN.) SIZE CHARTS **MAY** BE ACCOMMODATED, PLEASE CONTACT YOUR ALUMICOR REPRESENTATIVE FOR LIMITATIONS AND RECOMMENDATIONS.

Pour la version en français, veuillez voir la page : 3.1.1.16

BOTTOM HUNG PROJECT IN WITH CAM HANDLES



Charts are based upon an insulating glass unit infill of 1" (25.4mm) overall thickness comprised of 6mm glass/13mm gas fill/6mm glass

Using this chart:

- Ensure your largest maximum vent size falls within the above size limitation chart
- Maximum sizes 59 1/2" wide x 54" high (1511mm wide x 1372mm high) or 78" wide x 37" high (1981mm wide x 940mm high)
- NAFS CW-PG70

Standard vent hardware includes the following:

- One pair stainless steel friction arms
- One or two cam handles (as required)
- Glass stop for 1" (25.4mm) glazing
- Interior glazing spline

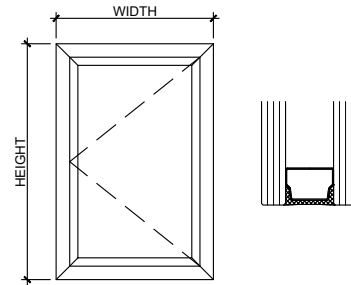
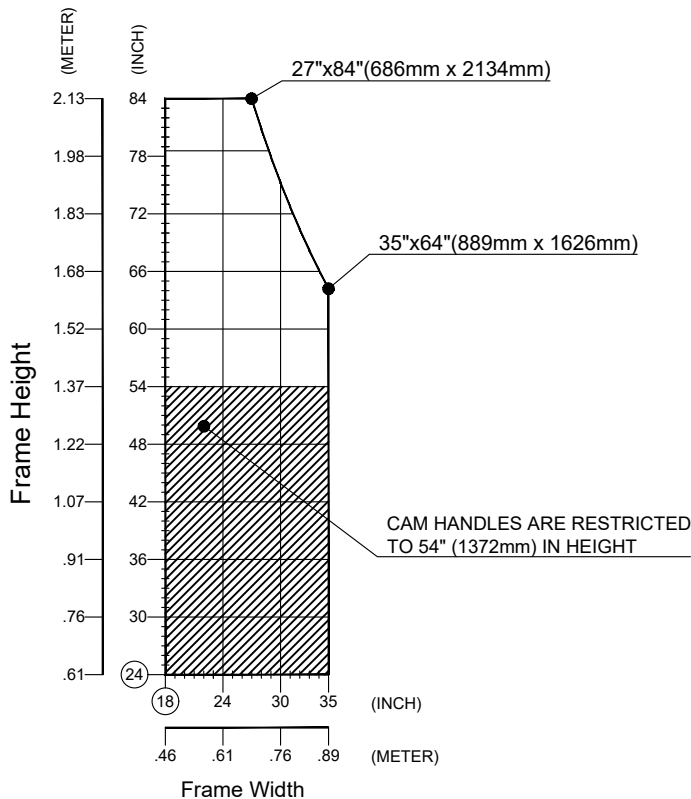
Optional extras (must be specified at time of ordering or quotation):

- Insect screen (fibreglass or aluminum mesh)
- Custodial lock
- Sash limiters
- Hardware other than standard

WINDOW SIZES LARGER THAN THOSE SHOWN ON THE (MAX./MIN.) SIZE CHARTS **MAY** BE ACCOMMODATED, PLEASE CONTACT YOUR ALUMICOR REPRESENTATIVE FOR LIMITATIONS AND RECOMMENDATIONS.

Pour la version en français, veuillez voir la page : 3.1.1.17

SIDE HUNG PROJECT IN WITH MULTIPPOINT LOCKING OR CAM HANDLE



BASED ON SETTING BLOCKS AT 6" (152.4mm) FROM CORNERS

Casement Width Exceeding 65% of Height Is Not Recommended Consult THPO Charts

VENT DEFLECTION < 1/16" (1.6mm) SIZE CHART

Charts are based upon an insulating glass unit infill of 1" (25.4mm) overall thickness comprised of 6mm glass/13mm gas fill/6mm glass

Using this chart:

- Ensure your largest maximum casement size falls within the above size limitation chart
- Maximum sizes 27" wide x 84" high (686mm wide x 2134mm high) or 35" wide x 64" high (889mm wide x 1626mm high)
- NAFS CW-PG70

Standard casement hardware includes the following:

- Internal opening hinge
- One multipoint locking handle, two or more keepers and locking points (as dictated by vent size)
- Glass stop for 1" (25.4mm) glazing
- Interior glazing spline

Optional extras (must be specified at time of ordering or quotation):

- Insect screen (fibreglass or aluminum mesh)
- Custodial lock
- Sash limiters
- Hardware other than standard
- Cam Handle

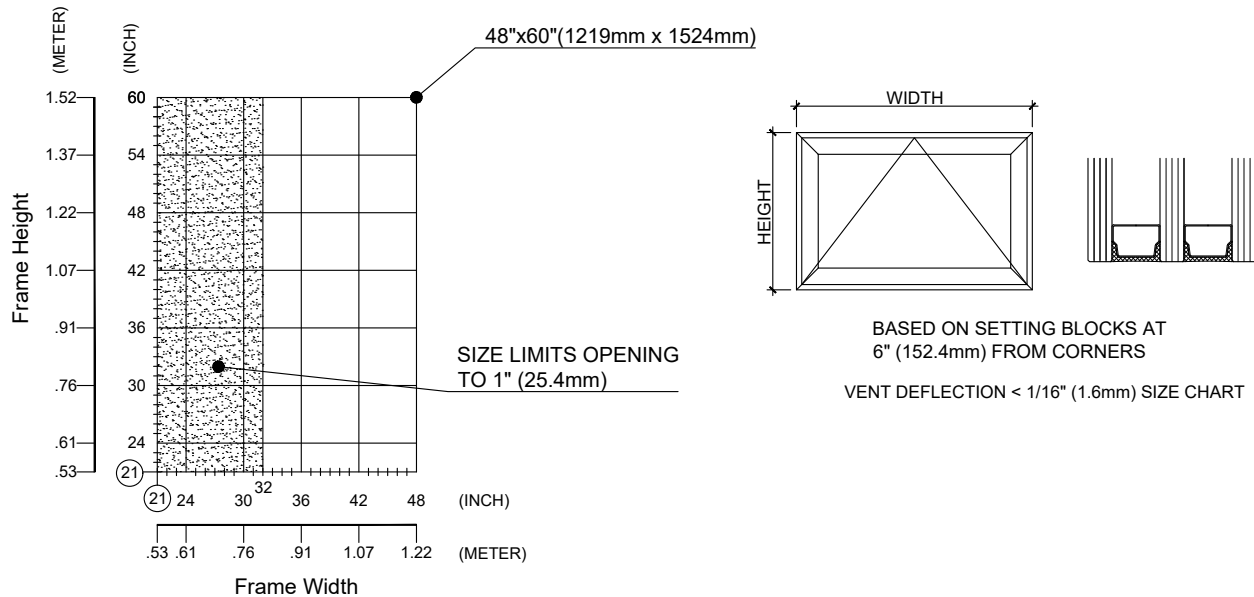
WINDOW SIZES LARGER THAN THOSE SHOWN ON THE (MAX./MIN.) SIZE CHARTS **MAY** BE ACCOMMODATED, PLEASE CONTACT YOUR ALUMICOR REPRESENTATIVE FOR LIMITATIONS AND RECOMMENDATIONS.

"Alumicor does not provide preps for actuators or attach actuators to vents. Alumicor does not guarantee any air or water performance levels when actuators are installed on the vents.

Please note that custom screen sill or jamb mounts and non-standard screen sizes will be required if screens are used with actuators. Alumicor does not prep or supply custom screen mounts."

Pour la version en français, veuillez voir la page : 3.1.1.18

TOP HUNG PROJECT OUT WITH ROTO OPERATOR AND CLAW HANDLE



Charts are based upon an insulating glass unit infill of 1 3/4" (44.5mm) overall thickness comprised of 6mm glass/13mm gas fill/6mm glass/13mm gas fill/6mm glass

Using this chart:

- Ensure your largest maximum vent size falls within the above size limitation chart
- Maximum sizes 48" wide x 60" high (1219mm wide x 1524mm high)

Standard vent hardware includes the following:

- One pair stainless steel friction arms
- One roto operator and two locking claw handles
- Glass stop for 1 3/4" (44.5mm) glazing
- Interior glazing spline

Optional extras (must be specified at time of ordering or quotation):

- Insect screen (fibreglass or aluminum mesh)
- Custodial lock
- Sash limiters
- Hardware other than standard

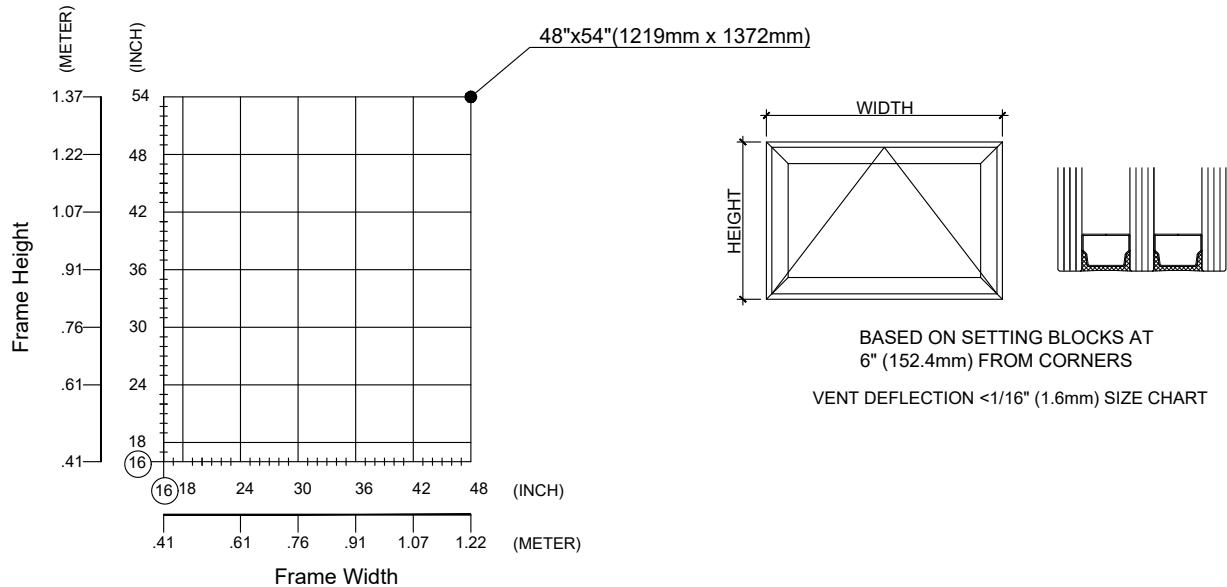
WINDOW SIZES LARGER THAN THOSE SHOWN ON THE (MAX./MIN.) SIZE CHARTS **MAY** BE ACCOMMODATED, PLEASE CONTACT YOUR ALUMICOR REPRESENTATIVE FOR LIMITATIONS AND RECOMMENDATIONS.

"Alumicor does not provide preps for actuators or attach actuators to vents. Alumicor does not guarantee any air or water performance levels when actuators are installed on the vents.

Please note that custom screen sill or jamb mounts and non-standard screen sizes will be required if screens are used with actuators. Alumicor does not prep or supply custom screen mounts."

Pour la version en français, veuillez voir la page : 3.1.1.19

TOP HUNG PROJECT OUT WITH CAM HANDLES



Charts are based upon an insulating glass unit infill of 1 3/4" (44.5mm) overall thickness comprised of 6mm glass/13mm gas fill/6mm glass/13mm gas fill/6mm glass

Using this chart:

- Ensure your largest maximum vent size falls within the above size limitation chart
- Maximum sizes 48" wide x 54" high (1219mm wide x 1372mm high)

Standard vent hardware includes the following:

- One pair stainless steel friction arms
- One or two cam handles (as required)
- Glass stop for 1 3/4" (44.5mm) glazing
- Interior glazing spline

Optional extras (must be specified at time of ordering or quotation):

- Custodial lock
- Sash limiters
- Hardware other than standard

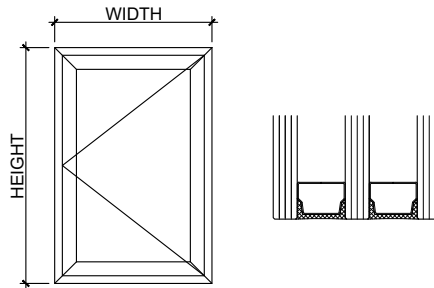
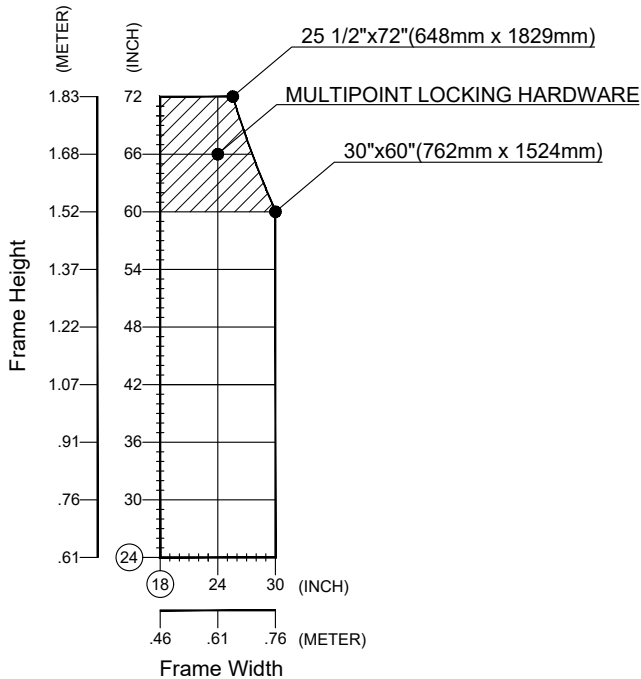
WINDOW SIZES LARGER THAN THOSE SHOWN ON THE (MAX./MIN.) SIZE CHARTS **MAY** BE ACCOMMODATED, PLEASE CONTACT YOUR ALUMICOR REPRESENTATIVE FOR LIMITATIONS AND RECOMMENDATIONS.

"Alumicor does not provide preps for actuators or attach actuators to vents. Alumicor does not guarantee any air or water performance levels when actuators are installed on the vents.

Please note that custom screen sill or jamb mounts and non-standard screen sizes will be required if screens are used with actuators. Alumicor does not prep or supply custom screen mounts."

Pour la version en français, veuillez voir la page : 3.1.1.20

SIDE HUNG PROJECT OUT WITH ROTO-OPERATOR, CLAW HANDLE & REMOTE LOCK OR MULTIPOINT LOCKING



BASED ON SETTING BLOCKS AT
6" (152.4mm) FROM CORNERS

Casement Width Exceeding 65%
of Height Is Not Recommended
Consult THPO Charts

VENT DEFLECTION <1/16" (1.6mm) SIZE CHART

Charts are based upon an insulating glass unit infill of 1 3/4" (44.5mm) overall thickness comprised of 6mm glass/13mm gas fill/6mm glass/13mm gas fill/6mm glass

Using this chart:

- Ensure your largest maximum casement size falls within the above size limitation chart
- Maximum sizes 25 1/2" wide x 72" high (648mm wide x 1829mm high) or 30" wide x 60" high (762mm wide x 1524mm high)

Standard casement hardware includes the following:

- One single arm roto-operator
- Two or more butt hinges (as dictated by vent size)
- Claw handle and remote lock as required or multipoint locking with extension bars for casement height 60" (1524mm) or greater
- Glass stop for 1 3/4" (44.5mm) glazing
- Interior glazing spline

Optional extras (must be specified at time of ordering or quotation):

- Insect screen (fibreglass or aluminum mesh)
- Custodial lock
- Sash limiters
- Hardware other than standard

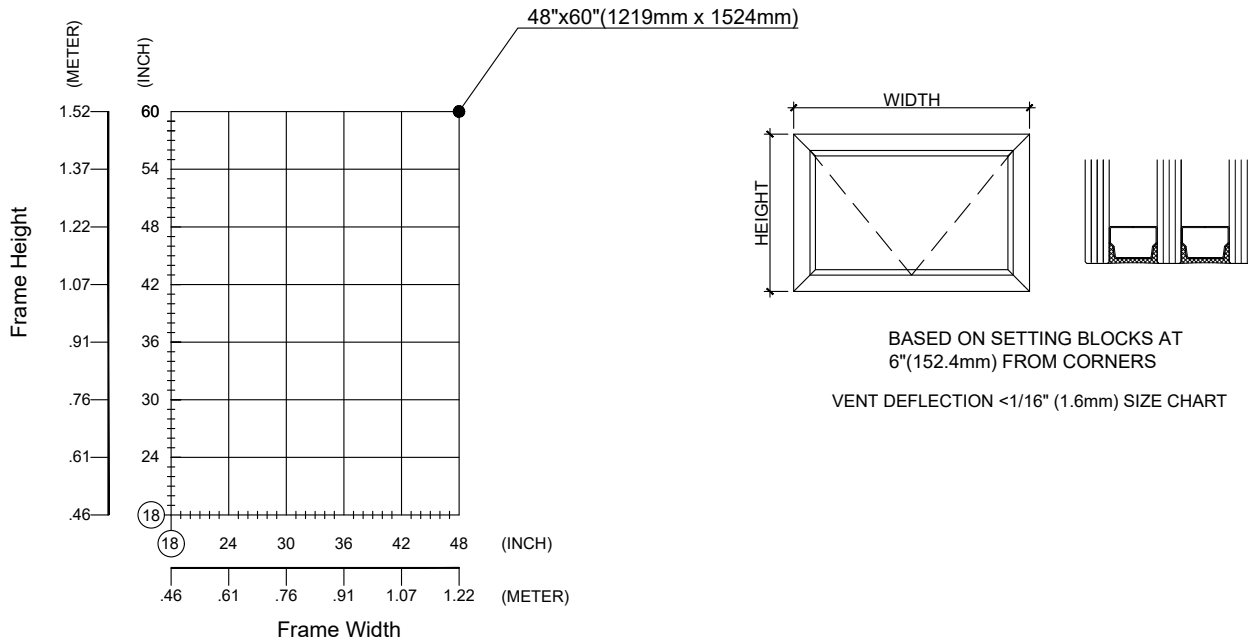
WINDOW SIZES LARGER THAN THOSE SHOWN ON THE (MAX./MIN.) SIZE CHARTS **MAY** BE ACCOMMODATED, PLEASE CONTACT YOUR ALUMICOR REPRESENTATIVE FOR LIMITATIONS AND RECOMMENDATIONS.

"Alumicor does not provide preps for actuators or attach actuators to vents. Alumicor does not guarantee any air or water performance levels when actuators are installed on the vents.

Please note that custom screen sill or jamb mounts and non-standard screen sizes will be required if screens are used with actuators. Alumicor does not prep or supply custom screen mounts."

Pour la version en français, veuillez voir la page : 3.1.1.21

BOTTOM HUNG PROJECT IN WITH MULTIPPOINT LOCKING



Charts are based upon an insulating glass unit infill of 1 3/4" (44.5mm) overall thickness comprised of 6mm glass/13mm gas fill/6mm glass/13mm gas fill/6mm glass

Using this chart:

- Ensure your largest maximum vent size falls within the above size limitation chart
- Maximum sizes 48" wide x 60" high (1219mm wide x 1524mm high)

Standard vent hardware includes the following:

- One pair stainless steel friction arms
- One locking handle, two or more keepers and locking points (as dictated by vent size)
- Glass stop for 1 3/4" (44.5mm) glazing
- Interior glazing spline

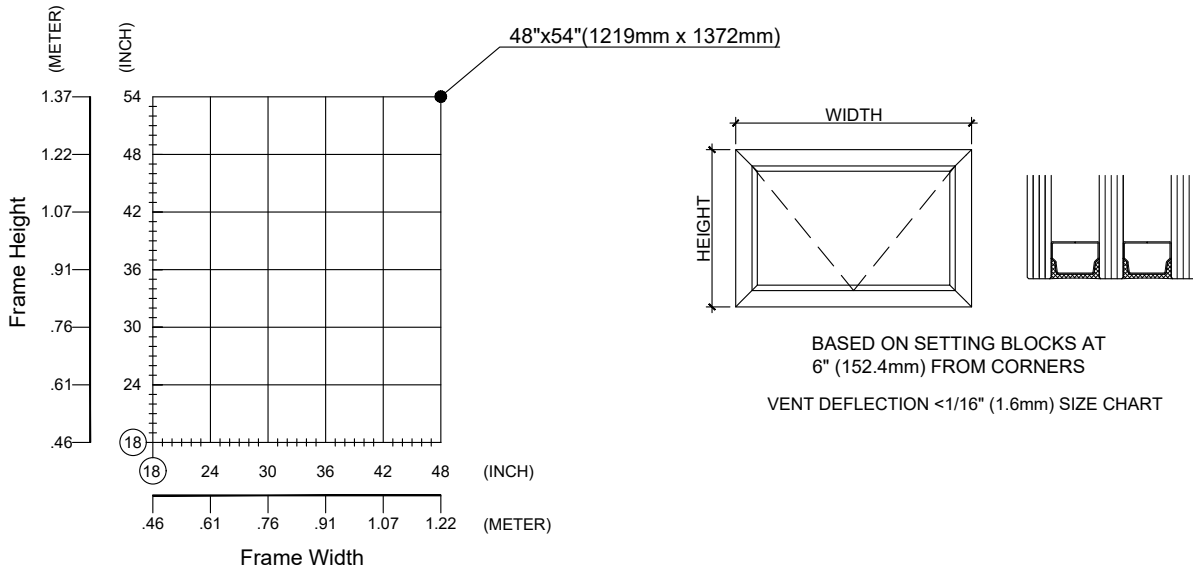
Optional extras (must be specified at time of ordering or quotation):

- Insect screen (fibreglass or aluminum mesh)
- Custodial lock
- Sash limiters
- Hardware other than standard

WINDOW SIZES LARGER THAN THOSE SHOWN ON THE (MAX./MIN.) SIZE CHARTS **MAY** BE ACCOMMODATED, PLEASE CONTACT YOUR ALUMICOR REPRESENTATIVE FOR LIMITATIONS AND RECOMMENDATIONS.

Pour la version en français, veuillez voir la page : 3.1.1.22

BOTTOM HUNG PROJECT IN WITH CAM HANDLES



Charts are based upon an insulating glass unit infill of 1 3/4" (44.5mm) overall thickness comprised of 6mm glass/13mm gas fill/6mm glass/13mm gas fill/6mm glass

Using this chart:

- Ensure your largest maximum vent size falls within the above size limitation chart
- Maximum sizes 48" wide x 54" high (1219mm wide x 1372mm high)

Standard vent hardware includes the following:

- One pair stainless steel friction arms
- One or two cam handles (as required)
- Glass stop for 1 3/4" (44.5mm) glazing
- Interior glazing spline

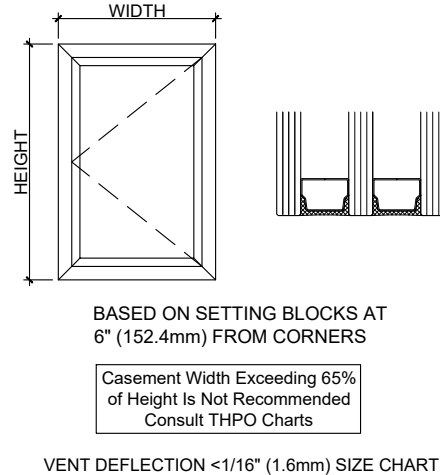
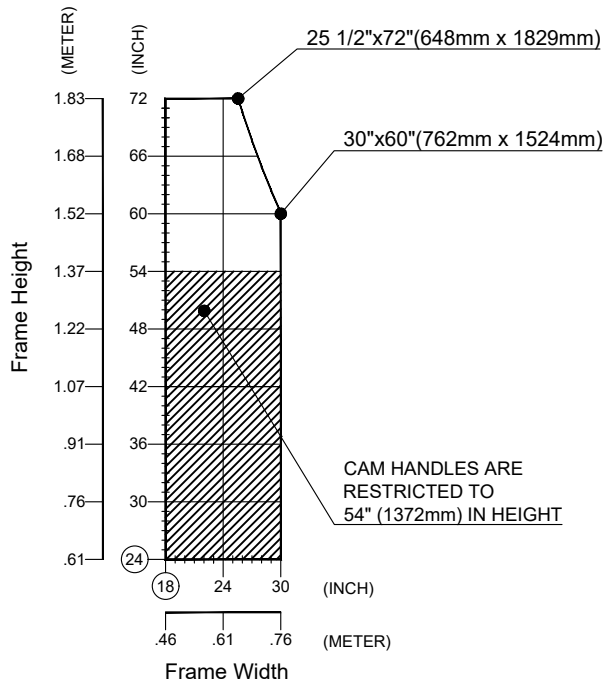
Optional extras (must be specified at time of ordering or quotation):

- Insect screen (fibreglass or aluminum mesh)
- Custodial lock
- Sash limiters
- Hardware other than standard

WINDOW SIZES LARGER THAN THOSE SHOWN ON THE (MAX./MIN.) SIZE CHARTS **MAY** BE ACCOMMODATED, PLEASE CONTACT YOUR ALUMICOR REPRESENTATIVE FOR LIMITATIONS AND RECOMMENDATIONS.

Pour la version en français, veuillez voir la page : 3.1.1.23

SIDE HUNG PROJECT IN WITH MULTIPOINT LOCKING OR CAM HANDLE



Charts are based upon an insulating glass unit infill of 1 3/4" (44.5mm) overall thickness comprised of 6mm glass/13mm gas fill/6mm glass/13mm gas fill/6mm glass

Using this chart:

- Ensure your largest maximum casement size falls within the above size limitation chart
- Maximum sizes 25 1/2" wide x 72" high (648mm wide x 1829mm high) or 30" wide x 60" high (762mm wide x 1524mm high)

Standard casement hardware includes the following:

- Internal opening hinge
- One or two cam handles or one locking handle, two or more keepers and locking points (as dictated by vent size)
- Glass stop for 1 3/4" (44.5mm) glazing
- Interior glazing spline

Optional extras (must be specified at time of ordering or quotation):

- Insect screen (fibreglass or aluminum mesh)
- Custodial lock
- Sash limiters
- Hardware other than standard

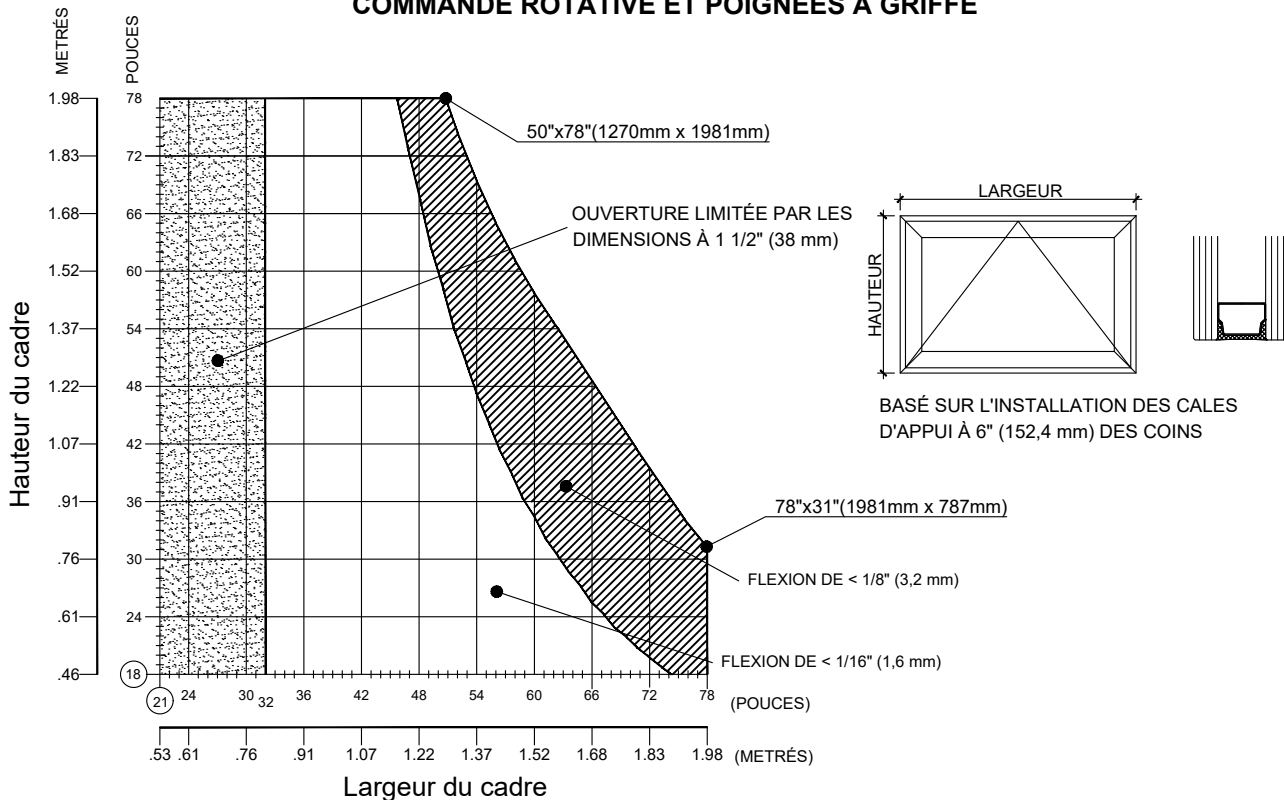
WINDOW SIZES LARGER THAN THOSE SHOWN ON THE (MAX./MIN.) SIZE CHARTS **MAY** BE ACCOMMODATED, PLEASE CONTACT YOUR ALUMICOR REPRESENTATIVE FOR LIMITATIONS AND RECOMMENDATIONS.

"Alumicor does not provide preps for actuators or attach actuators to vents. Alumicor does not guarantee any air or water performance levels when actuators are installed on the vents.

Please note that custom screen sill or jamb mounts and non-standard screen sizes will be required if screens are used with actuators. Alumicor does not prep or supply custom screen mounts."

Pour la version en français, veuillez voir la page : 3.1.1.24

PENTURÉE HAUT OUVRANT VERS L'EXTÉRIEUR AVEC COMMANDE ROTATIVE ET POIGNÉES À GRIFFE



Les graphiques sont basés sur un double vitrage isolant de 1" (25,4 mm) d'épaisseur hors tout, composé de deux vitres de 6 mm d'épaisseur chacune, intercalées par 13 mm de gaz.

Lorsque vous utilisez ce graphique :

- Assurez-vous que les dimensions de fenêtre maximales demeurent dans les limites exposées dans le graphique ci-dessus
- Dimensions maximales 50" de largeur x 78" de hauteur (1270 mm x 1981 mm) en 78" de largeur x 31" de hauteur (1981 mm x 787 mm)
- Conforme à la norme NAFS CW-PG70

La quincaillerie standard de la fenêtre comprend les pièces suivantes:

- Une paire de bras de friction articulés en acier inoxydable
- Une commande rotative et deux poignées à griffes de verrouillage
- Parcloses pour vitrage de 1"(25,4mm)
- Garniture de vitrage intérieur

Pièces en option (doivent être spécifiées dans le devis ou à la passation de la commande) :

- Moustiquaire (en filet de fibre de verre ou d'aluminium)
- Limiteur d'ouverture de châssis
- Verrou de sécurité "gardien / concierge"
- Pièces de quincaillerie non standards

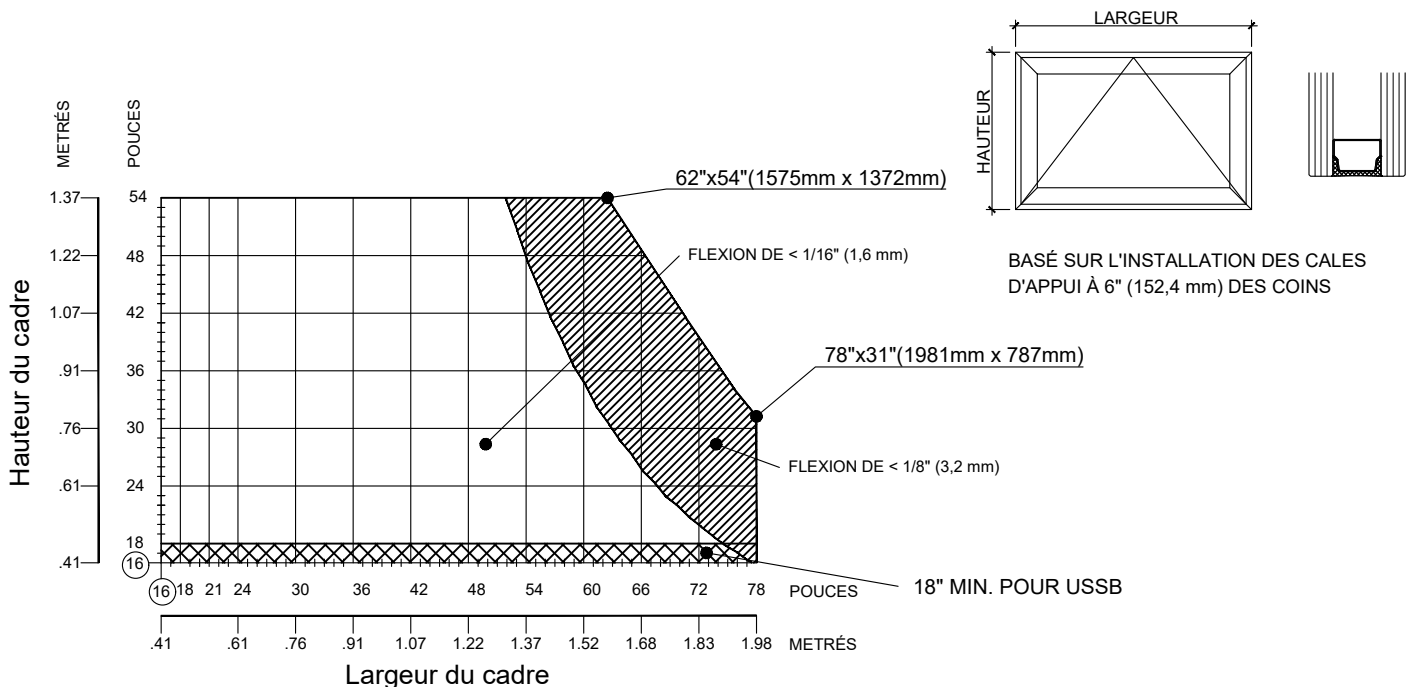
DES DIMENSIONS DE FENÊTRE PLUS GRANDES QUE CELLES INDIQUÉES SUR LES TABLEAUX DES DIMENSIONS (MIN-MAX) PEUVENT ÊTRE CONSIDÉRÉES. VEUILLEZ COMMUNIQUER AVEC VOTRE REPRÉSENTANT ALUMICOR POUR LES LIMITES À RESPECTER ET POUR DES RECOMMANDATIONS.

"Alumicor does not provide preps for actuators or attach actuators to vents. Alumicor does not guarantee any air or water performance levels when actuators are installed on the vents.

Please note that custom screen sill or jamb mounts and non-standard screen sizes will be required if screens are used with actuators. Alumicor does not prep or supply custom screen mounts."

For English version please see page: 3.1.1.1

PENTURÉE HAUT OUVRANT VERS L'EXTÉRIEUR AVEC POIGNÉES CAM OU USSB



Les graphiques sont basés sur un double vitrage isolant de 1" (25,4 mm) d'épaisseur hors tout, composé de deux vitres de 6 mm d'épaisseur chacune, intercalées par 13 mm de gaz.

Lorsque vous utilisez ce graphique :

- Assurez-vous que les dimensions de fenêtre maximales demeurent dans les limites exposées dans le graphique ci-dessus
- Dimensions maximales 62" de largeur x 54" de hauteur (1575 mm x 1372 mm) en 78" de largeur x 31" de hauteur (1981 mm x 787 mm)
- Conforme à la norme NAFS CW-PG70

La quincaillerie standard de la fenêtre comprend les pièces suivantes:

- Une paire de bras de friction articulés en acier inoxydable
- Une ou deux poignées à came (selon le besoin)
- Parcloses pour vitrage de 1"(25,4mm)
- Garniture de vitrage intérieur

Pièces en option (doivent être spécifiées dans le devis ou à la passation de la commande):

- Verrou de sécurité "gardien / concierge"
- Limiteur d'ouverture de châssis
- Barres de poussée sous la moustiquaire
- Pièces de quincaillerie non standards

ALUMICOR NE RECOMMANDE PAS L'UTILISATION D'UNE BARRE DE POUSSÉE SOUS LA MOUSTIQUAIRE. À CAUSE DE LA NATURE MÊME DE CE DISPOSITIF DE COMMANDE, ALUMICOR NE GARANTIT PAS LE SUCCÈS DES ESSAIS D'ÉTANCHÉITÉ À L'AIR ET À L'EAU QUAND UNE BARRE DE POUSSÉE EST INSTALLÉE SOUS LA MOUSTIQUAIRE.

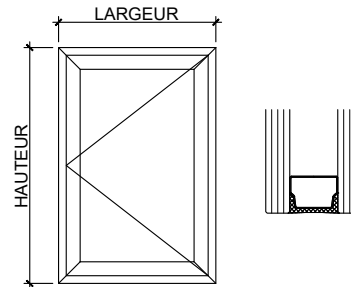
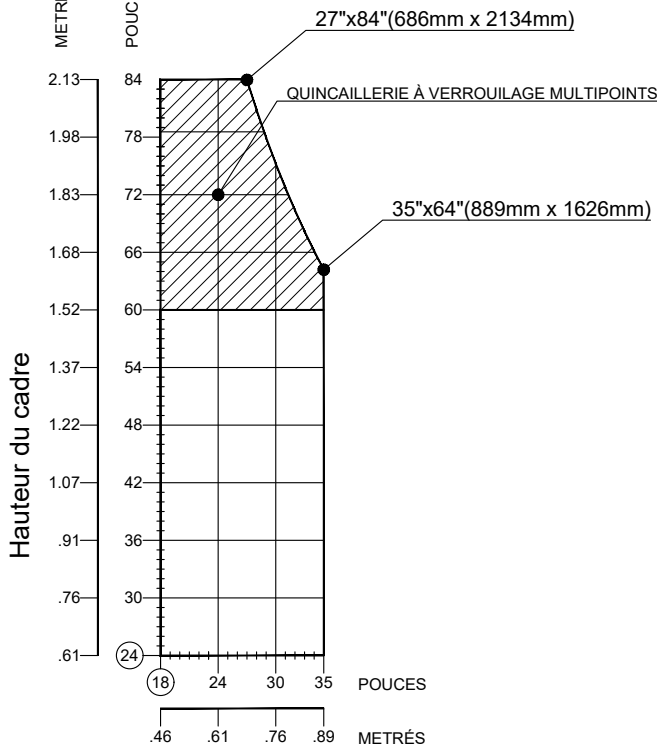
DES DIMENSIONS DE FENÊTRE PLUS GRANDES QUE CELLES INDIQUÉES SUR LES TABLEAUX DES DIMENSIONS (MIN-MAX) PEUVENT ÊTRE CONSIDÉRÉES. VEUILLEZ COMMUNIQUER AVEC VOTRE REPRÉSENTANT ALUMICOR POUR LES LIMITES À RESPECTER ET POUR DES RECOMMANDATIONS.

"Alumicor does not provide preps for actuators or attach actuators to vents. Alumicor does not guarantee any air or water performance levels when actuators are installed on the vents.

Please note that custom screen sill or jamb mounts and non-standard screen sizes will be required if screens are used with actuators. Alumicor does not prep or supply custom screen mounts."

For English version please see page: 3.1.1.2

PENTURÉE CÔTÉ OUVRANT VERS L'EXTÉRIEUR AVEC COMMANDE ROTATIVE, POIGNÉE À CAME ET TÉLÉVERROUILLAGE OU VERROUILLAGE MULTIPONTS



BASÉ SUR L'INSTALLATION DES CALES D'APPUI À 6" (152,4 mm) DES COINS

Une fenêtre à battant d'une largeur plus de 65 % supérieure à la hauteur n'est pas recommandée. Consulter les tableaux des fenêtres PHOE

FLEXION DE LA FENÊTRE < 1/16" (1,6 mm) - GRAPHIQUE DES LIMITES DE DIMENSION

Largeur du cadre

Les graphiques sont basés sur un double vitrage isolant de 1" (25,4 mm) d'épaisseur hors tout, composé de deux vitres de 6 mm d'épaisseur chacune, intercalées par 13 mm de gaz.

Lorsque vous utilisez ce graphique :

- Assurez-vous que les dimensions de fenêtre maximale demeurent dans les limites exposées dans le graphique ci-dessus
- Dimensions maximales 27" de largeur x 84" de hauteur (686 mm x 2134 mm) en 35" de largeur x 64" de hauteur (889 mm x 1626 mm)
- Conforme à la norme NAFS CW-PG70

La quincaillerie standard de la fenêtre comprend les pièces suivantes:

- Bras roto simple
- Deux charnières ou plus (selon les indications des chartes de grandeurs)
- Poignée à griffes et verrouillage en retrait si demande ou verrouillage à multipoints avec bras d'extension pour battant de 60" (1524mm) de hauteur ou plus.
- Parcose pour vitrage 1" (25,4mm)
- Garniture de vitrage intérieur
- Brass limiteur

Pièces en option (doivent être spécifiées dans le devis ou à la passation de la commande):

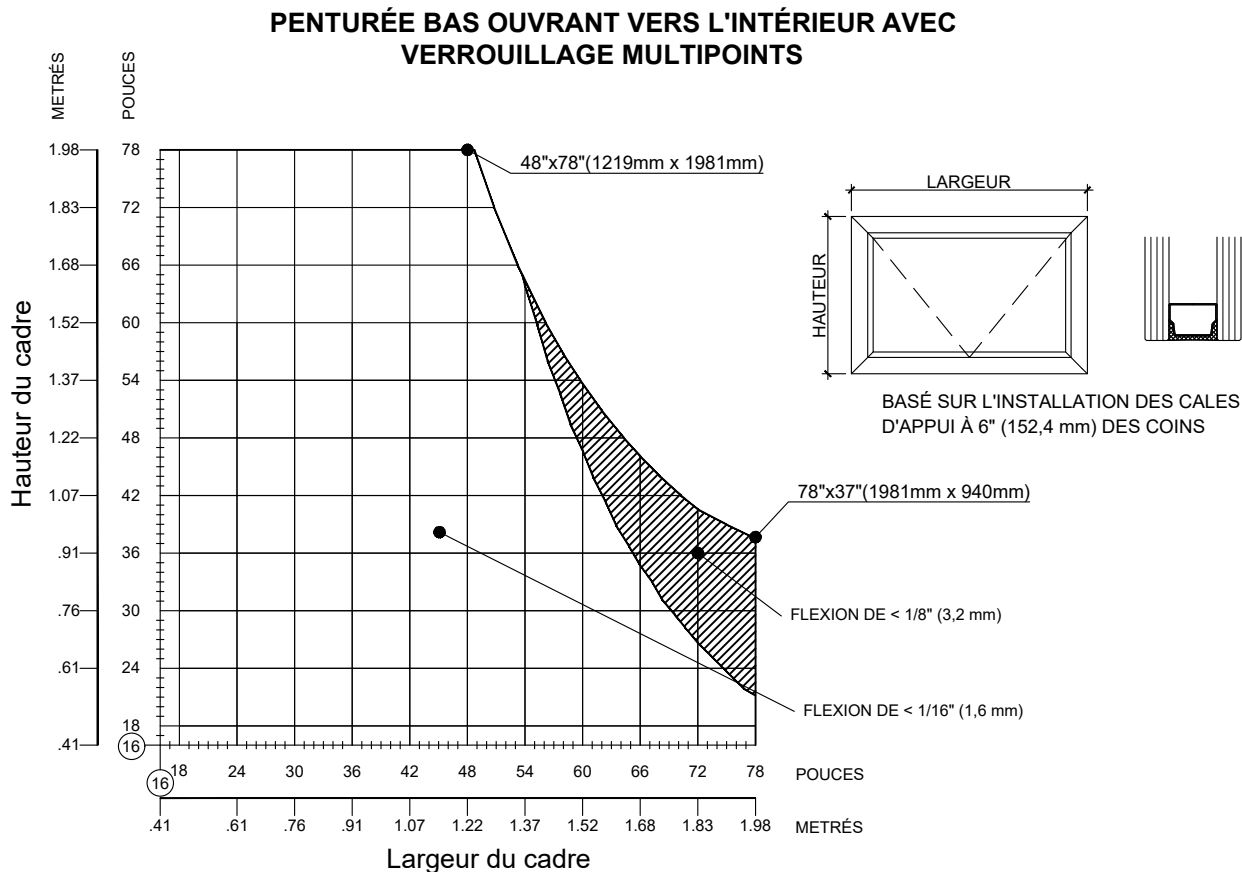
- Moustiquaire (mailles en fibre de verre ou en aluminium)
- Verrou de sécurité "gardien / concierge"
- Limiteur d'ouverture de châssis
- Pièces de quincaillerie non standards

DES DIMENSIONS DE FENÊTRE PLUS GRANDES QUE CELLES INDIQUÉES SUR LES TABLEAUX DES DIMENSIONS (MIN-MAX) PEUVENT ÊTRE CONSIDÉRÉES. VEUILLEZ COMMUNIQUER AVEC VOTRE REPRÉSENTANT ALUMICOR POUR LES LIMITES À RESPECTER ET POUR DES RECOMMANDATIONS.

"Alumicor does not provide preps for actuators or attach actuators to vents. Alumicor does not guarantee any air or water performance levels when actuators are installed on the vents.

Please note that custom screen sill or jamb mounts and non-standard screen sizes will be required if screens are used with actuators. Alumicor does not prep or supply custom screen mounts."

For English version please see page: 3.1.1.3



Les graphiques sont basés sur un double vitrage isolant de 1" (25,4 mm) d'épaisseur hors tout, composé de deux vitres de 6 mm d'épaisseur chacune, intercalées par 13 mm de gaz.

Lorsque vous utilisez ce graphique :

- Assurez-vous que les dimensions de fenêtre maximale demeurent dans les limites exposées dans le graphique ci-dessus
- Dimensions maximales 48" de largeur x 78" de hauteur (1219mm wide x 1981mm) en 78" de largeur x 37" de hauteur (1981 mm x 940 mm)
- Conforme à la norme NAFS CW-PG70

La quincaillerie standard de la fenêtre comprend les pièces suivantes:

- Une paire de bras de friction articulés en acier inoxydable
- Une poignée verrouillable, deux gâches et points de verrouillage ou plus (selon les dimensions de la fenêtre)
- Parcloses pour vitrage 1"(25,4mm)
- Garniture de vitrage intérieur

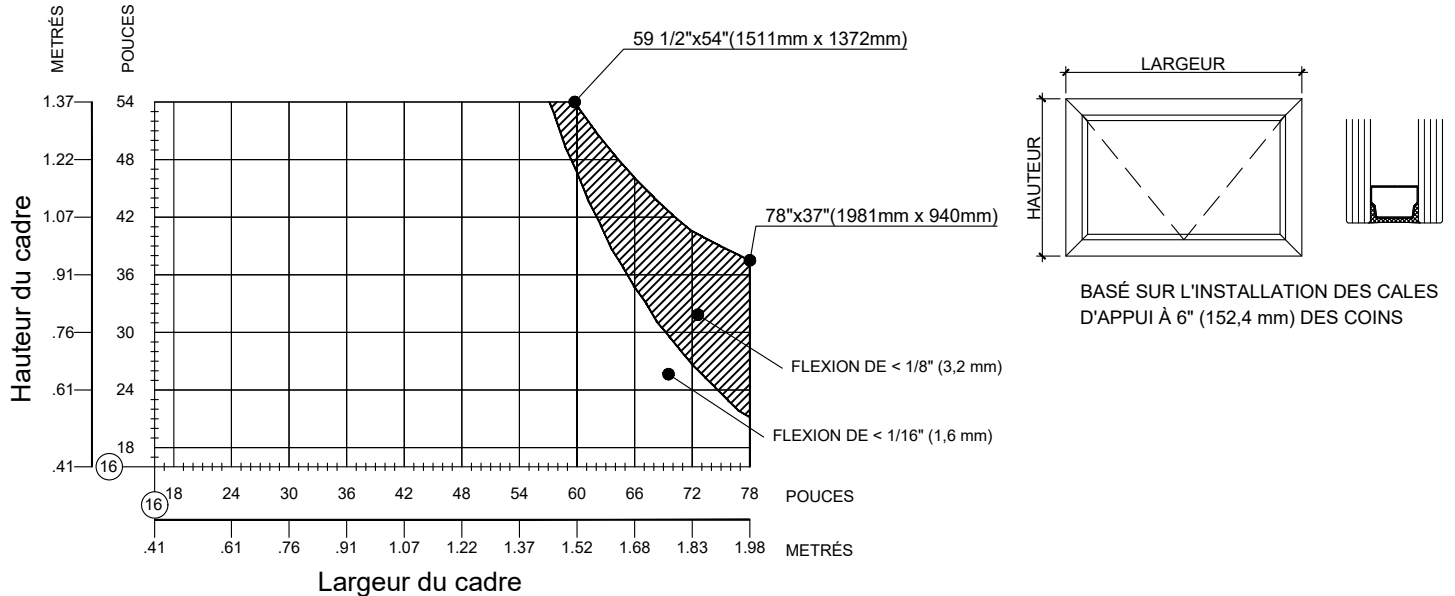
Pièces en option (doivent être spécifiées dans le devis ou à la passation de la commande):

- Moustiquaire (mailles en fibre de verre ou en aluminium)
- Verrou de sécurité "gardien / concierge"
- Loquet à ressort
- Limiteur d'ouverture de châssis
- Pièces de quincaillerie non standards

DES DIMENSIONS DE FENÊTRE PLUS GRANDES QUE CELLES INDIQUÉES SUR LES TABLEAUX DES DIMENSIONS (MIN-MAX) PEUVENT ÊTRE CONSIDÉRÉES. VEUILLEZ COMMUNIQUER AVEC VOTRE REPRÉSENTANT ALUMICOR POUR LES LIMITES À RESPECTER ET POUR DES RECOMMANDATIONS.

For English version please see page: 3.1.1.4

PENTURÉE BAS OUVRANT VERS L'INTÉRIEUR AVEC POIGNÉES CAM



Les graphiques sont basés sur un double vitrage isolant de 1" (25,4 mm) d'épaisseur hors tout, composé de deux vitres de 6 mm d'épaisseur chacune, intercalées par 13 mm de gaz.

Lorsque vous utilisez ce graphique :

- Assurez-vous que les dimensions de fenêtre maximale demeurent dans les limites exposées dans le graphique ci-dessus
- Dimensions maximales 59 1/2" de largeur x 54" de hauteur (1511 mm x 1372 mm) en 78" de largeur x 37" de hauteur (1981 mm x 940 mm)
- Conforme à la norme NAFS CW-PG70

La quincaillerie standard de la fenêtre comprend les pièces suivantes:

- Une paire de bras de friction articulés en acier inoxydable
- Une commande rotative et deux poignées à griffes de verrouillage
- Parcloses pour vitrage 1"(25,4mm)
- Garniture de vitrage intérieur

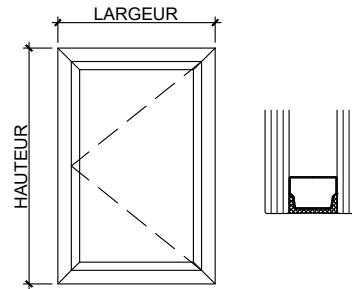
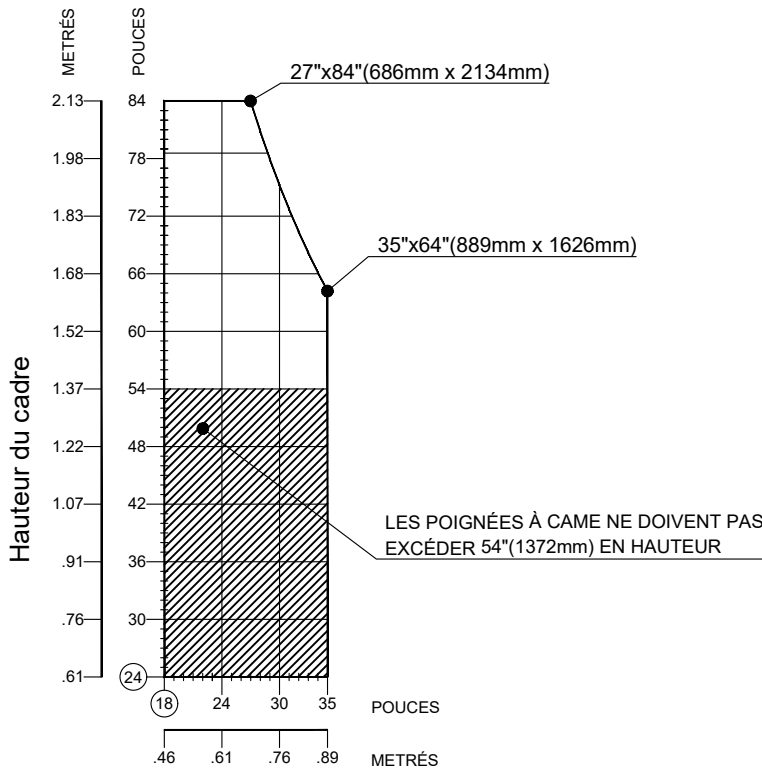
Pièces en option (doivent être spécifiées dans le devis ou à la passation de la commande):

- Moustiquaire (mailles en fibre de verre ou en aluminium)
- Verrou de sécurité "gardien / concierge"
- Limiteur d'ouverture de châssis
- Pièces de quincaillerie non standards

DES DIMENSIONS DE FENÊTRE PLUS GRANDES QUE CELLES INDIQUÉES SUR LES TABLEAUX DES DIMENSIONS (MIN-MAX) PEUVENT ÊTRE CONSIDÉRÉES. VEUILLEZ COMMUNIQUER AVEC VOTRE REPRÉSENTANT ALUMICOR POUR LES LIMITES À RESPECTER ET POUR DES RECOMMANDATIONS.

For English version please see page: 3.1.1.5

PENTURÉE CÔTÉ OUVRANT VERS L'INTÉRIEUR AVEC VERROUILLAGE MULTIPOINTS OU POIGNÉE À CAME



BASÉ SUR L'INSTALLATION DES CALES
D'APPUI À 6" (152,4 mm) DES COINS

Une fenêtre à battant d'une largeur
plus de 65 % supérieure à la hauteur
n'est pas recommandée. Consulter
les tableaux des fenêtres PHOE

FLEXION DE LA FENÊTRE < 1/16" (1,6 mm) -
GRAPHIQUE DES LIMITES DE DIMENSION

Largeur du cadre

Les graphiques sont basés sur un double vitrage isolant de 1" (25,4 mm) d'épaisseur hors tout, composé de deux vitres de 6 mm d'épaisseur chacune, intercalées par 13 mm de gaz.

Lorsque vous utilisez ce graphique :

- Assurez-vous que les dimensions de fenêtre maximale demeurent dans les limites exposées dans le graphique ci-dessus
- Dimensions maximales 27" de largeur x 84" de hauteur (686 mm x 2134 mm) en 35" de largeur x 64" de hauteur (889 mm x 1626 mm)
- Conforme à la norme NAFS CW-PG70

La quincaillerie standard de la fenêtre comprend les pièces suivantes:

- Charnière à ouverture intérieure
- Une poignée verrouillable, deux gâches et points de verrouillage ou plus (selon les dimensions de la fenêtre)
- Parcloses pour vitrage 1"(25,4mm)
- Garniture de vitrage intérieur

Pièces en option (doivent être spécifiées dans le devis ou à la passation de la commande):

- Moustiquaire (mailles en fibre de verre ou en aluminium)
- Verrou de sécurité "gardien / concierge"
- Limiteur d'ouverture de châssis
- Pièces de quincaillerie non standards
- Came manipuler

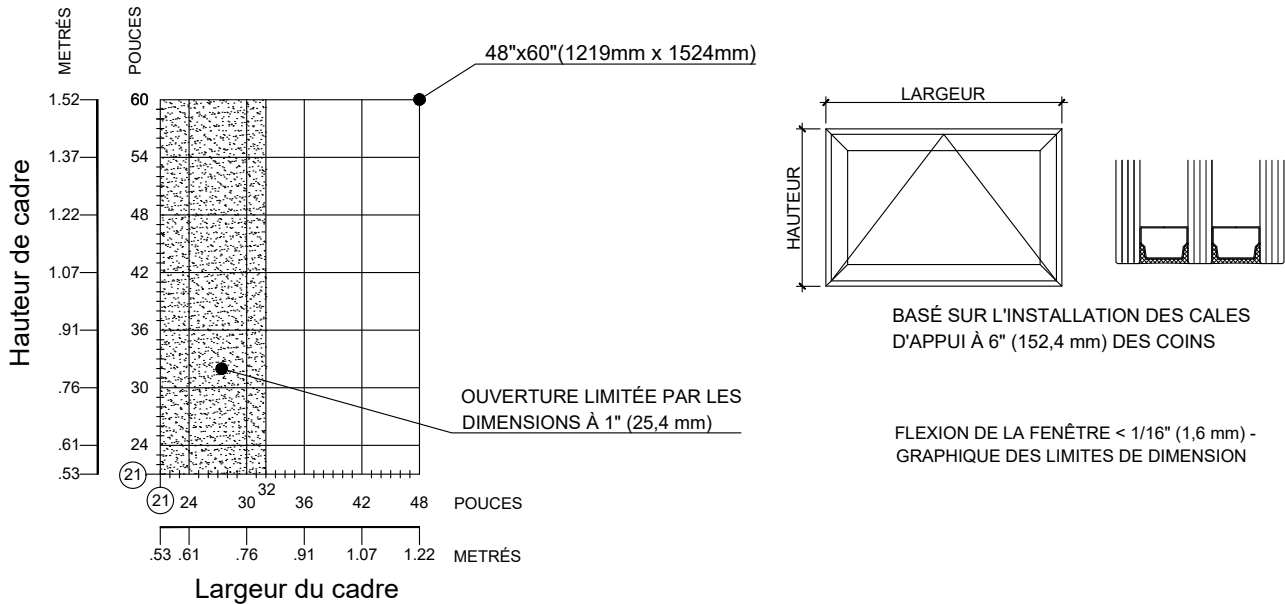
DES DIMENSIONS DE FENÊTRE PLUS GRANDES QUE CELLES INDIQUÉES SUR LES TABLEAUX DES DIMENSIONS (MIN-MAX) PEUVENT ÊTRE CONSIDÉRÉES. VEUILLEZ COMMUNIQUER AVEC VOTRE REPRÉSENTANT ALUMICOR POUR LES LIMITES À RESPECTER ET POUR DES RECOMMANDATIONS.

"Alumicor does not provide preps for actuators or attach actuators to vents. Alumicor does not guarantee any air or water performance levels when actuators are installed on the vents.

Please note that custom screen sill or jamb mounts and non-standard screen sizes will be required if screens are used with actuators. Alumicor does not prep or supply custom screen mounts."

For English version please see page: 3.1.1.6

PENTURÉE HAUT OUVRANT VERS L'EXTÉRIEUR AVEC COMMANDE ROTATIVE ET POIGNÉES À GRIFFE



Les graphiques sont basés sur un triple vitrage isolant de 1 3/4" (44,5 mm) d'épaisseur hors tout, composé de trois vitres de 6 mm d'épaisseur chacune, intercalées par 13 mm de gaz.

Lorsque vous utilisez ce graphique :

- Assurez-vous que les dimensions de fenêtre maximale demeurent dans les limites exposées dans le graphique ci-dessus
- Dimensions maximales 48" de largeur x 60" de hauteur (1219.2 mm x 1524 mm)

La quincaillerie standard de la fenêtre comprend les pièces suivantes:

- Une paire de bras de friction articulés en acier inoxydable
- Une commande rotative et deux poignées à griffes de verrouillage
- Parcloses pour vitrage 1 3/4" (44.5mm)
- Garniture de vitrage intérieur

Pièces en option (doivent être spécifiées dans le devis ou à la passation de la commande):

- Moustiquaire (mailles en fibre de verre ou en aluminium)
- Verrou de sécurité "gardien / concierge"
- Limiteur d'ouverture de châssis
- Pièces de quincaillerie non standards

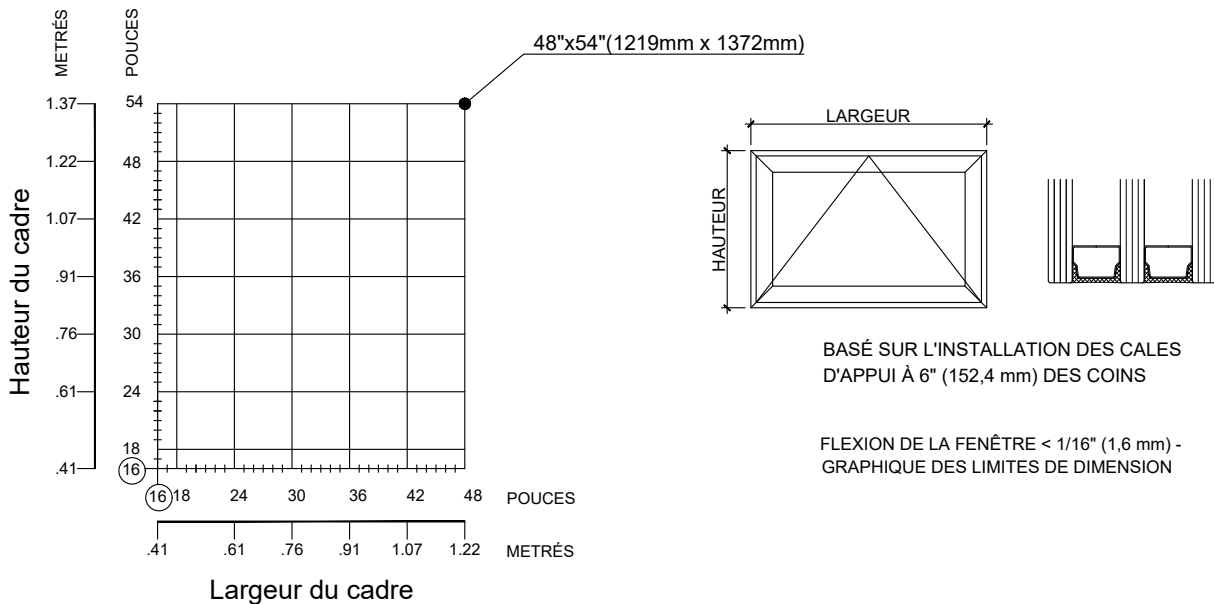
DES DIMENSIONS DE FENÊTRE PLUS GRANDES QUE CELLES INDIQUÉES SUR LES TABLEAUX DES DIMENSIONS (MIN-MAX) PEUVENT ÊTRE CONSIDÉRÉES. VEUILLEZ COMMUNIQUER AVEC VOTRE REPRÉSENTANT ALUMICOR POUR LES LIMITES À RESPECTER ET POUR DES RECOMMANDATIONS.

"Alumicor does not provide preps for actuators or attach actuators to vents. Alumicor does not guarantee any air or water performance levels when actuators are installed on the vents.

Please note that custom screen sill or jamb mounts and non-standard screen sizes will be required if screens are used with actuators. Alumicor does not prep or supply custom screen mounts."

For English version please see page: 3.1.1.7

PENTURÉE HAUT OUVRANT VERS L'EXTÉRIEUR AVEC POIGNÉES CAM



Les graphiques sont basés sur un triple vitrage isolant de 1 3/4" (44,5 mm) d'épaisseur hors tout, composé de trois vitres de 6 mm d'épaisseur chacune, intercalées par 13 mm de gaz.

Lorsque vous utilisez ce graphique :

- Assurez-vous que les dimensions de fenêtre maximale demeurent dans les limites exposées dans le graphique ci-dessus
- Dimensions maximales 48" de largeur x 54" de hauteur (1219.2 mm x 1372 mm)

La quincaillerie standard de la fenêtre comprend les pièces suivantes:

- Une paire de bras de friction articulés en acier inoxydable
- Une ou deux poignées à came (selon le besoin)
- Parcloses pour vitrage 1 3/4" (44.5mm)
- Garniture de vitrage intérieur

Pièces en option (doivent être spécifiées dans le devis ou à la passation de la commande):

- Moustiquaire (mailles en fibre de verre ou en aluminium)
- Verrou de sécurité "gardien / concierge"
- Pièces de quincaillerie non standards

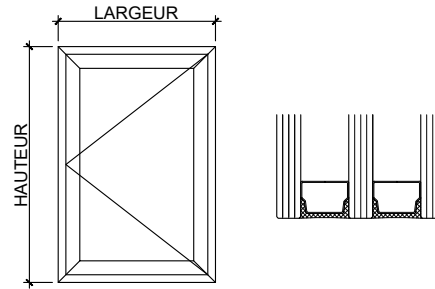
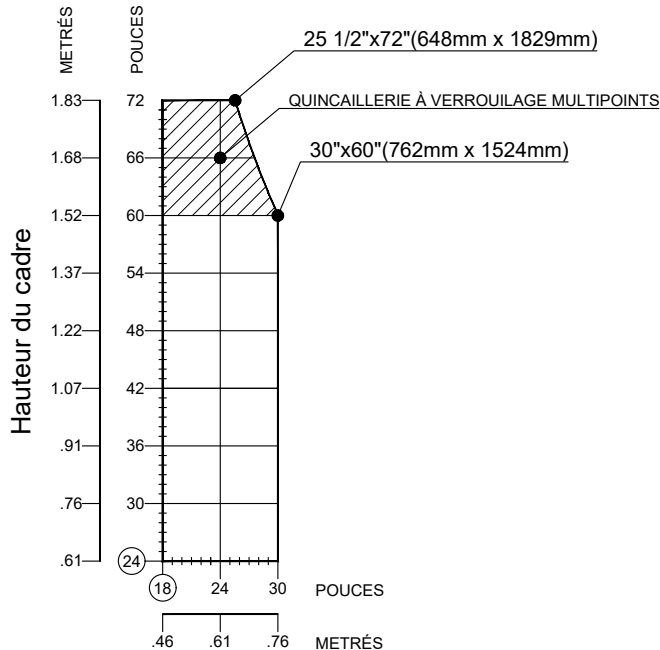
DES DIMENSIONS DE FENÊTRE PLUS GRANDES QUE CELLES INDIQUÉES SUR LES TABLEAUX DES DIMENSIONS (MIN-MAX) PEUVENT ÊTRE CONSIDÉRÉES. VEUILLEZ COMMUNIQUER AVEC VOTRE REPRÉSENTANT ALUMICOR POUR LES LIMITES À RESPECTER ET POUR DES RECOMMANDATIONS.

"Alumicor does not provide preps for actuators or attach actuators to vents. Alumicor does not guarantee any air or water performance levels when actuators are installed on the vents.

Please note that custom screen sill or jamb mounts and non-standard screen sizes will be required if screens are used with actuators. Alumicor does not prep or supply custom screen mounts."

For English version please see page: 3.1.1.8

COMMANDE ROTATIVE, POIGNÉE À CAME ET TÉLÉVERROUILLAGE OU VERROUILLAGE MULTIPONTS



BASÉ SUR L'INSTALLATION DES CALES
D'APPUI À 6" (152,4 mm) DES COINS

Une fenêtre à battant d'une largeur
plus de 65 % supérieure à la hauteur
n'est pas recommandée. Consulter
les tableaux des fenêtres PHOE

FLEXION DE LA FENÊTRE < 1/16" (1,6 mm) -
GRAPHIQUE DES LIMITES DE DIMENSION

Largeur du cadre

Les graphiques sont basés sur un triple vitrage isolant de 1 3/4" (44,5 mm) d'épaisseur hors tout, composé de trois vitres de 6 mm d'épaisseur chacune, intercalées par 13 mm de gaz.

Lorsque vous utilisez ce graphique :

- Assurez-vous que les dimensions de fenêtre maximale demeurent dans les limites exposées dans le graphique ci-dessus.
- Dimensions maximales 25 1/2" de largeur x 72" de hauteur (648 mm x 1829 mm) en 30" de largeur x 60" de hauteur (762 mm x 1524 mm)

La quincaillerie standard de la fenêtre comprend les pièces suivantes:

- Bras roto simple
- Deux charnières ou plus (selon les indications des chartes de grandeurs)
- Poignée à griffes et verrouillage en retrait si demande ou verrouillage à multipoints avec bras d'extension pour battant de 60" (1524mm) de hauteur ou plus.
- Parclose pour vitrage 1 3/4" (44,5mm)
- Garniture de vitrage intérieur

Pièces en option (doivent être spécifiées dans le devis ou à la passation de la commande):

- Moustiquaire (mailles en fibre de verre ou en aluminium)
- Verrou de sécurité "gardien / concierge"
- Limiteur d'ouverture de châssis
- Pièces de quincaillerie non standards

DES DIMENSIONS DE FENÊTRE PLUS GRANDES QUE CELLES INDIQUÉES SUR LES TABLEAUX DES DIMENSIONS (MIN-MAX) PEUVENT ÊTRE CONSIDÉRÉES. VEUILLEZ COMMUNIQUER AVEC VOTRE REPRÉSENTANT ALUMICOR POUR LES LIMITES À RESPECTER ET POUR DES RECOMMANDATIONS.

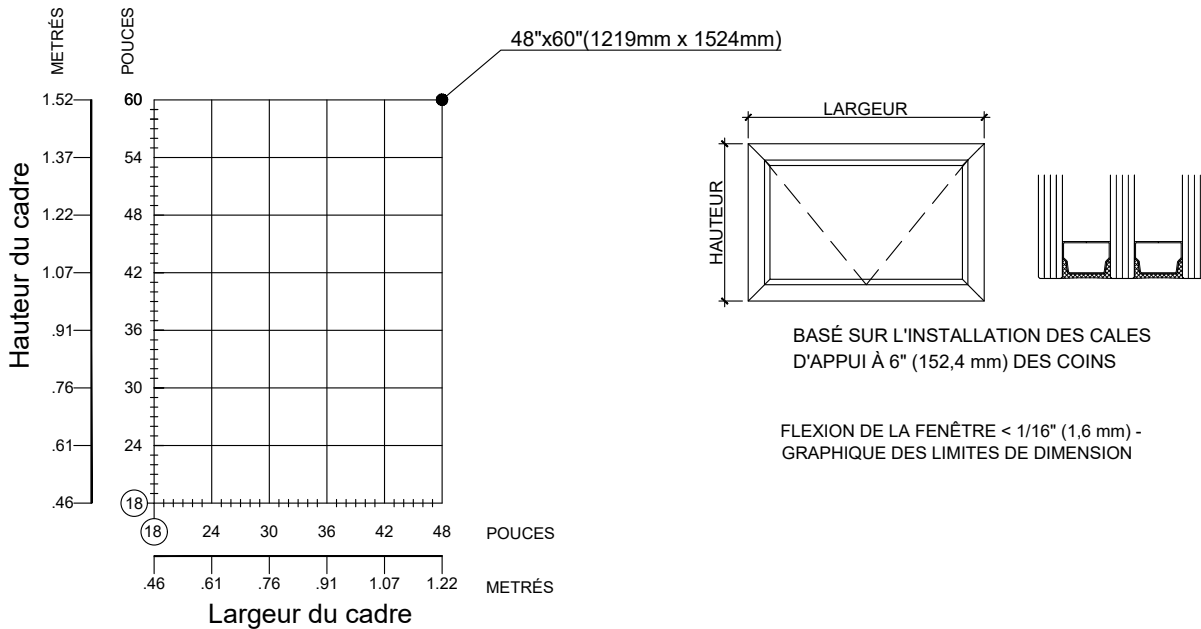
"Alumicor does not provide preps for actuators or attach actuators to vents. Alumicor does not guarantee any air or water performance levels when actuators are installed on the vents.

Please note that custom screen sill or jamb mounts and non-standard screen sizes will be required if screens are used with actuators. Alumicor does not prep or supply custom screen mounts."

For English version please see page: 3.1.1.9

Index

PENTURÉE BAS OUVRANT VERS L'INTÉRIEUR AVEC VERROUILLAGE MULTIPONTS



Les graphiques sont basés sur un triple vitrage isolant de 1 3/4" (44,5 mm) d'épaisseur hors tout, composé de trois vitres de 6 mm d'épaisseur chacune, intercalées par 13 mm de gaz.

Lorsque vous utilisez ce graphique :

- Assurez-vous que les dimensions de fenêtre maximale demeurent dans les limites exposées dans le graphique ci-dessus.
- Dimensions maximales 48" de largeur x 60" de hauteur (1219 mm x 1524 mm)

La quincaillerie standard de la fenêtre comprend les pièces suivantes:

- Une paire de bras de friction articulés en acier inoxydable
- Une commande rotative et deux poignées à griffe verrouillables (selon les dimensions de la fenêtre)
- Parcloses pour vitrage 1 3/4" (44.5mm)
- Garniture de vitrage intérieur

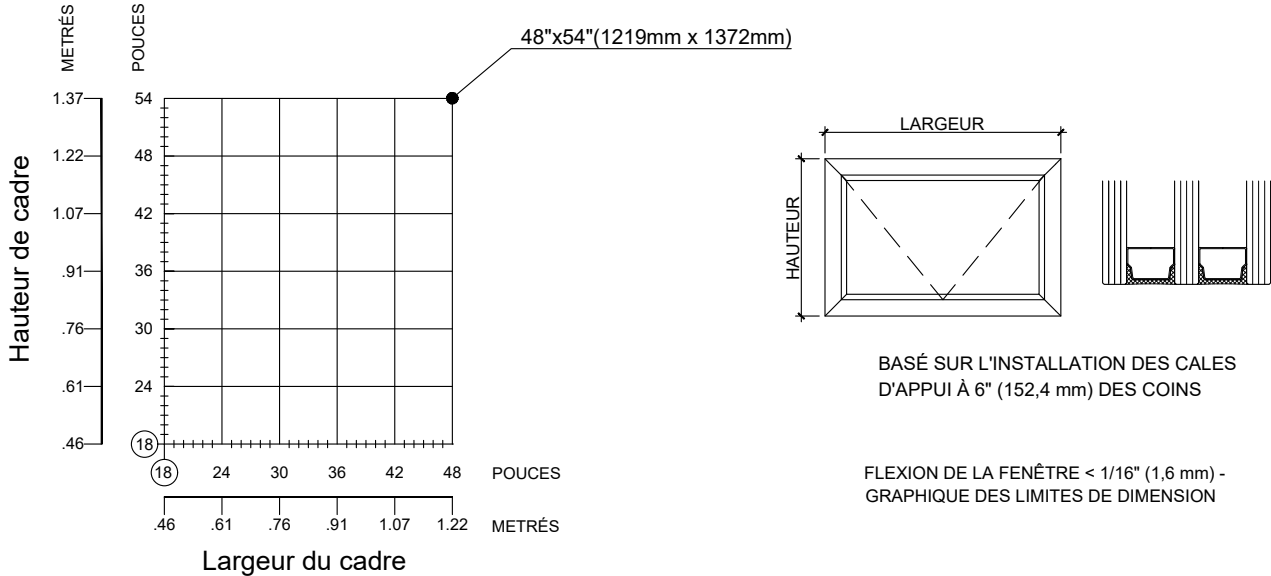
Pièces en option (doivent être spécifiées dans le devis ou à la passation de la commande):

- Moustiquaire (mailles en fibre de verre ou en aluminium)
- Verrou de sécurité "gardien / concierge"
- Limiteur d'ouverture de châssis
- Pièces de quincaillerie non standards

DES DIMENSIONS DE FENÊTRE PLUS GRANDES QUE CELLES INDICÉES SUR LES TABLEAUX DES DIMENSIONS (MIN-MAX) **PEUVENT** ÊTRE CONSIDÉRÉES. VEUILLEZ COMMUNIQUER AVEC VOTRE REPRÉSENTANT ALUMICOR POUR LES LIMITES À RESPECTER ET POUR DES RECOMMANDATIONS.

For English version please see page: 3.1.1.10

PENTURÉE BAS OUVRANT VERS L'INTÉRIEUR AVEC POIGNÉES CAM



Les graphiques sont basés sur un triple vitrage isolant de 1 3/4" (44,5 mm) d'épaisseur hors tout, composé de trois vitres de 6 mm d'épaisseur chacune, intercalées par 13 mm de gaz.

Lorsque vous utilisez ce graphique :

- Assurez-vous que les dimensions de fenêtre maximale demeurent dans les exposées dans le graphique ci-dessus.
- Dimensions maximales 48" de largeur x 54" de hauteur (1219.2 mm x 1372 mm)

La quincaillerie standard de la fenêtre comprend les pièces suivantes:

- Une paire de bras de friction articulés en acier inoxydable
- Une ou deux poignées à came (selon le besoin)
- Parcloses pour vitrage 1 3/4" (44.5mm)
- Garniture de vitrage intérieur

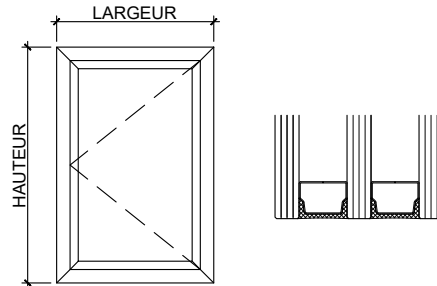
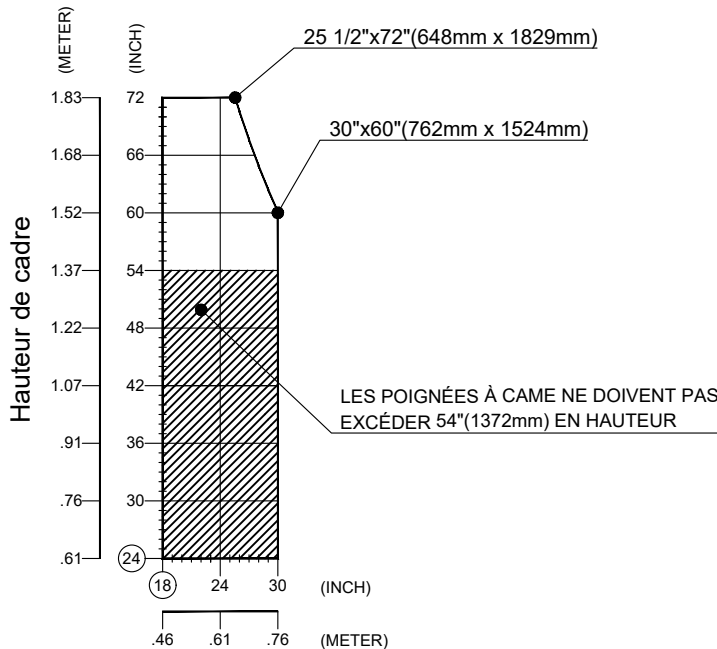
Pièces en option (doivent être spécifiées dans le devis ou à la passation de la commande):

- Moustiquaire (mailles en fibre de verre ou en aluminium)
- Verrou de sécurité "gardien / concierge"
- Limiteur d'ouverture de châssis
- Pièces de quincaillerie non standards

DES DIMENSIONS DE FENÊTRE PLUS GRANDES QUE CELLES INDIQUÉES SUR LES TABLEAUX DES DIMENSIONS (MIN-MAX) PEUVENT ÊTRE CONSIDÉRÉES. VEUILLEZ COMMUNIQUER AVEC VOTRE REPRÉSENTANT ALUMICOR POUR LES LIMITES À RESPECTER ET POUR DES RECOMMANDATIONS.

For English version please see page: 3.1.1.11

PENTURÉE CÔTÉ OUVRANT VERS L'INTÉRIEUR AVEC VERROUILLAGE MULTIPONTS OU POIGNÉE À CAME



BASÉ SUR L'INSTALLATION DES CALES
D'APPUI À 6" (152,4 mm) DES COINS

Une fenêtre à battant d'une largeur plus de 65 % supérieure à la hauteur n'est pas recommandée. Consulter les tableaux des fenêtres PHOE

FLEXION DE LA FENÊTRE < 1/16" (1,6 mm) -
GRAPHIQUE DES LIMITES DE DIMENSION

Largeur du cadre

Les graphiques sont basés sur un triple vitrage isolant de 1 3/4" (44,5 mm) d'épaisseur hors tout, composé de trois vitres de 6 mm d'épaisseur chacune, intercalées par 13 mm de gaz.

Lorsque vous utilisez ce graphique :

- Assurez-vous que les dimensions de fenêtre maximale demeurent dans les exposées dans le graphique ci-dessus.
- Dimensions maximales 25 1/2" de largeur x 72" de hauteur (648 mm x 1829 mm) en 30" de largeur x 60" de hauteur (762 mm x 1524 mm)

La quincaillerie standard de la fenêtre comprend les pièces suivantes:

- Charnière à ouverture intérieure
- Une poignée verrouillable, deux gâches et points de verrouillage ou plus (selon les dimensions de la fenêtre)
- Parcloses pour vitrage 1 3/4" (44,5mm)
- Garniture de vitrage intérieur

Pièces en option (doivent être spécifiées dans le devis ou à la passation de la commande):

- Moustiquaire (mailles en fibre de verre ou en aluminium)
- Verrou de sécurité "gardien / concierge"
- Limiteur d'ouverture de châssis
- Pièces de quincaillerie non standards

DES DIMENSIONS DE FENÊTRE PLUS GRANDES QUE CELLES INDIQUÉES SUR LES TABLEAUX DES DIMENSIONS (MIN-MAX) PEUVENT ÊTRE CONSIDÉRÉES. VEUILLEZ COMMUNIQUER AVEC VOTRE REPRÉSENTANT ALUMICOR POUR LES LIMITES À RESPECTER ET POUR DES RECOMMANDATIONS.

"Alumicor does not provide preps for actuators or attach actuators to vents. Alumicor does not guarantee any air or water performance levels when actuators are installed on the vents.

Please note that custom screen sill or jamb mounts and non-standard screen sizes will be required if screens are used with actuators. Alumicor does not prep or supply custom screen mounts."

For English version please see page: 3.1.1.12

UniVent 1350

Glass size

Dimensions du vitrage

Index

VENT OPENING	VENT OPENING	1350 TYPE	HARDWARE TYPE	CLEARANCE FROM DLO (DEDUCT)				FRAME SIZE (ADD TO DLO)	GLASS HEIGHT (DEDUCT FROM FRAME HEIGHT SIZE)	GLASS HEIGHT (DEDUCT FROM FRAME WIDTH SIZE)
				HEAD	SILL	LEFT JAMB	RIGHT JAMB			
OPEN-OUT	EQUAL LEG	ANY	ANY	1/8"(3.2mm)	1/8"(3.2mm)	1/8"(3.2mm)	1/8"(3.2mm)	-	5 1/2"(140mm)	See Note ①
	UNEQUAL LEG	ANY	ANY	1/8"(3.2mm)	1/8"(3.2mm)	1/8"(3.2mm)	1/8"(3.2mm)	1 1/8" (28.6mm)		
OPEN - IN	EQUAL LEG	ANY	ANY	1/8"(3.2mm)	1/8"(3.2mm)	1/8"(3.2mm)	1/8"(3.2mm)	-	5 3/8"(136.5mm)	5 3/8"(136.5mm)
	UNEQUAL LEG	ANY	ANY	1/8"(3.2mm)	1/8"(3.2mm)	1/8"(3.2mm)	1/8"(3.2mm)	1 5/16"(23.8mm)	6 5/8"(168.3mm)	6 5/8"(168.3mm)

Notes:

1. Reduce Glass Width by 5 19/32" (142mm) from frame width for Triple Glazed SHOO with claw handles only, otherwise 5 1/2" (139.7mm) deduction from frame width.
2. In 1900 & 1970 applications for 'Equal Leg', DLO is measured from the underside of the glass stop (not from the fin).
3. 'Unequal Leg' application is designed for use with Curtain Wall System.
4. Frame size in 'Unequal Leg OPEN-IN' application is measured to the PVC adaptor.

SENS D' OUVREURE DU VOIET	SENS D' OUVREURE DU VOIET	TYPE 1350	TYPE DE QUINCAILLERIE	DÉGAGEMENT DE L'OUVERTURE BRUTE (DÉDUCTION)				DIMENSION DU CADRE (AJOUTER À L'OUVERTURE BRUTE)	HAUTER DU VITRAGE (DÉDUIRE DE LA HAUTER DU CADRE)	HAUTER DU VITRAGE (DÉDUIRE DE LA LARGEUR DU CADRE)
				TÊTE	BASE	JAMBAGE GAUCHE	JAMBAGE DROIT			
OUVERTURE EXTÉRIEURE	PATTES ÉGALES	TOUT	TOUT	1/8"(3.2mm)	1/8"(3.2mm)	1/8"(3.2mm)	1/8"(3.2mm)	1 1/8" (28.6mm)	5 1/2"(140mm)	VOIR NOTE ①
	PATTES INÉGALES	TOUT	TOUT	1/8"(3.2mm)	1/8"(3.2mm)	1/8"(3.2mm)	1/8"(3.2mm)			
OUVERTURE INTÉRIEURE	PATTES ÉGALES	TOUT	TOUT	1/8"(3.2mm)	1/8"(3.2mm)	1/8"(3.2mm)	1/8"(3.2mm)	-	5 3/8"(136.5mm)	5 3/8"(136.5mm)
	PATTES INÉGALES	TOUT	TOUT	1/8"(3.2mm)	1/8"(3.2mm)	1/8"(3.2mm)	1/8"(3.2mm)	1 5/16"(23.8mm)	6 5/8"(168.3mm)	6 5/8"(168.3mm)

Notes:

1. Pour la dimension en largeur des cadres en triple vitrage POOE avec poignées à griffes, déduire 5 19/32" (142mm) le vitrage; dans toute autres situation, déduire 5 1/2" (139.7mm) à la largeur du vitrage.
2. Dans ies application des séries 1900 et 1970 "avec pattes égales", l'ouverture brute du cadre est mesurée du dessous de la parclose, pas de l'ailette.
3. L'application avec "pattes inégales" est designée pour utilisation dans un mur rideau.
4. La dimension des cadre avec "pattes inégales" à ouverture intérieure se mesurent à partir de l'adapteur en PVC.

THE FOLLOWING THERMAL CHARTS ARE TO BE USED TO DETERMINE OVERALL U VALUE OF THE PRODUCT BY KNOWING U VALUE CENTRE OF GLASS AND SELECTED SPACER OR DETERMINE CENTRE OF GLASS U VALUE AND SPACER BY KNOWING THE PRODUCT REQUIREMENTS FOR U VALUE.

DETERMINE CENTRE OF GLASS U VALUE

- 1) Choose the total system U value from the chart below (vertical axis).
- 2) Based on this point come across horizontally until you reach the specific spacer bar (metallic or non-metallic)
- 3) From this point come down vertically until you reach the horizontal axis and your centre of glass U value

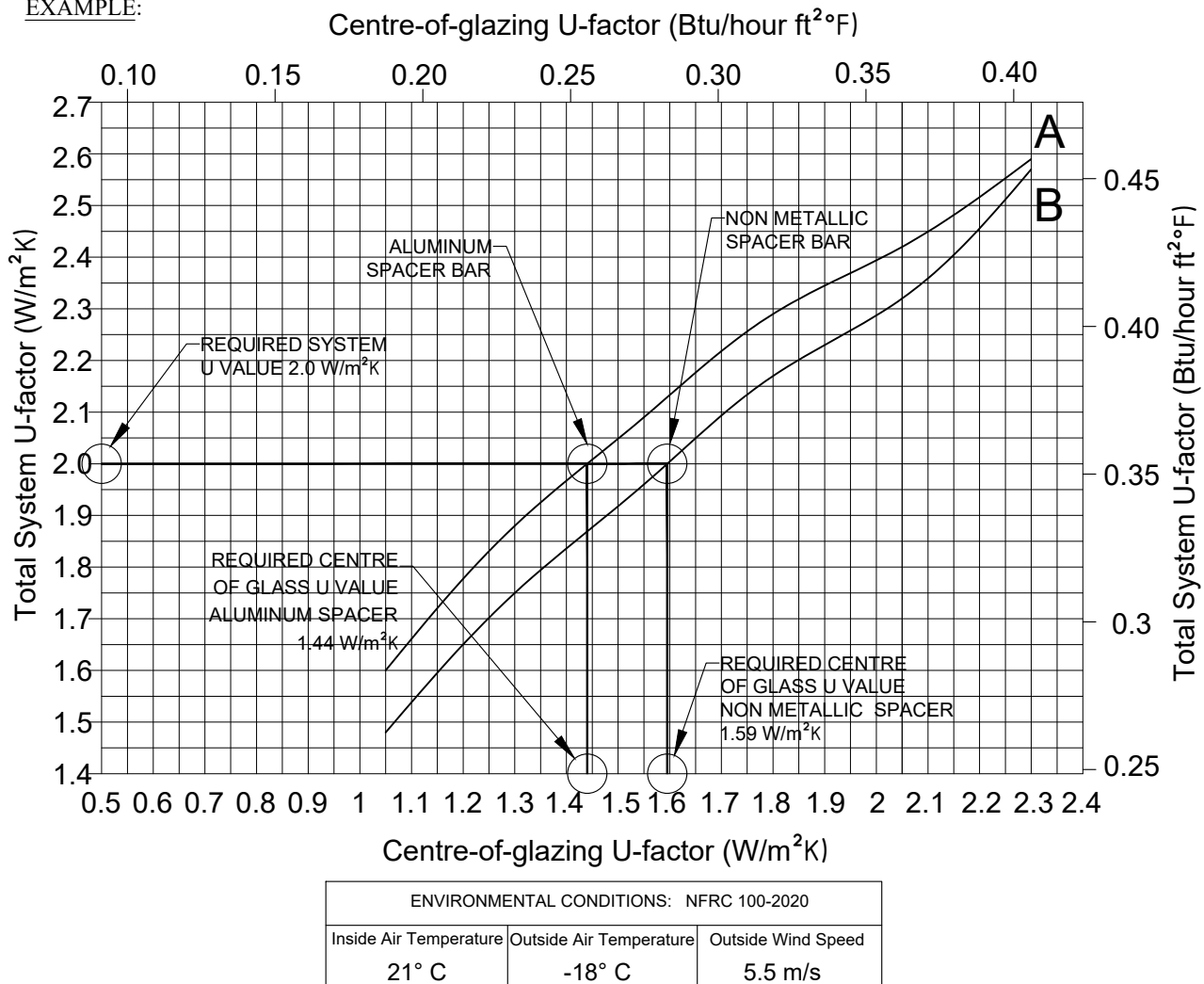
DETERMINE TOTAL SYSTEM U VALUE

- 1) Choose your centre of glass U value from the chart below (horizontal axis).
- 2) Based on this point come up vertically until you reach the specific spacer bar (metallic or non-metallic)
- 3) From this point come across horizontally until you reach the vertical axis and your total system U value

- A = Double glazed with Generic Group1
-Spacer containing aluminum
- B = Double glazed with Generic Group4
-Spacer containing all non metallic materials

CHARTS ARE BASED UPON A INSULATING GLASS UNIT INFILL OF 1" (25.4mm) OVERALL THICKNESS COMPRISED OF 6mm GLASS/12mm AIRSPACE/6mm GLASS

EXAMPLE:



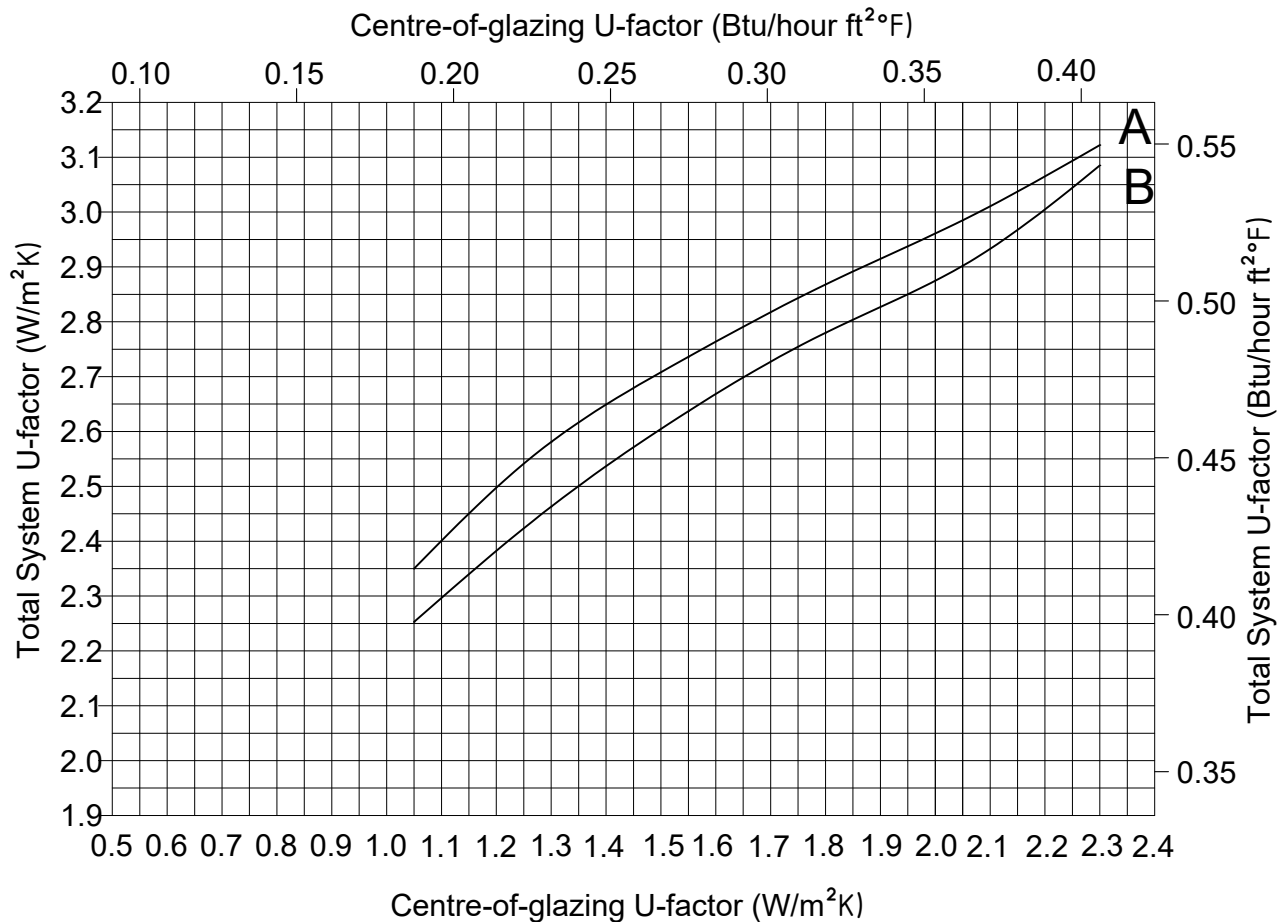
Pour la version en français, veuillez voir la page : 3.1.2.4

THE FOLLOWING THERMAL CHARTS ARE TO BE USED TO DETERMINE OVERALL U VALUE OF THE PRODUCT BY KNOWING U VALUE CENTRE OF GLASS AND SELECTED SPACER OR DETERMINE CENTRE OF GLASS U VALUE AND SPACER BY KNOWING THE PRODUCT REQUIREMENTS FOR U VALUE.

- Curves represent independently tested simulation results based on double glazing options using the lowest (curve A) and highest (curve B) performing spacers. Spacer conductance values are based on NFRC 100-2020 section 5.9.5.1.
- Simulation methodology followed NFRC 100-2020
- Simulated window is 23 5/8" (600mm) x 59 1/16" (1500mm) as per table 6.2.
- The charts should be used as a budget or design guide for fenestration product u-factor and rating purposes.

A = Double glazed with Generic Group1
-Spacer containing aluminum
B = Double glazed with Generic Group4
-Spacer containing all non metallic materials

CHARTS ARE BASED UPON A INSULATING
GLASS UNIT INFILL OF 1" (25.4mm)
OVERALL THICKNESS COMPRISED OF
6mm GLASS/12mm AIRSPACE/6mm GLASS



ENVIRONMENTAL CONDITIONS: NFRC 100-2020		
Inside Air Temperature	Outside Air Temperature	Outside Wind Speed
21° C	-18° C	5.5 m/s

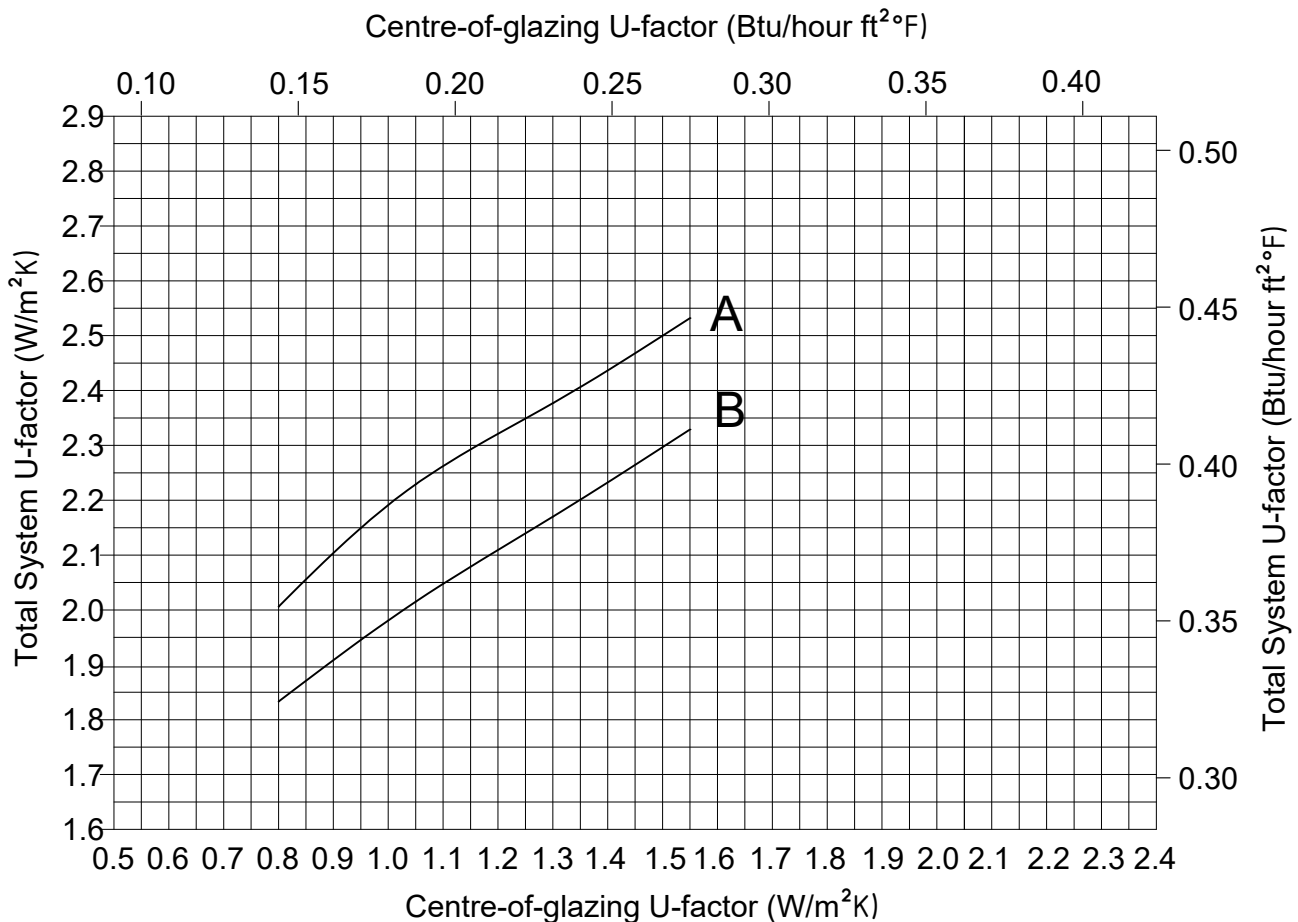
Pour la version en français, veuillez voir la page : 3.1.2.5

THE FOLLOWING THERMAL CHARTS ARE TO BE USED TO DETERMINE OVERALL U VALUE OF THE PRODUCT BY KNOWING U VALUE CENTRE OF GLASS AND SELECTED SPACER OR DETERMINE CENTRE OF GLASS U VALUE AND SPACER BY KNOWING THE PRODUCT REQUIREMENTS FOR U VALUE.

- Curves represent independently tested simulation results based on triple glazing options using the lowest (curve A) and highest (curve B) performing spacers. Spacer conductance values are based on NFRC 100-2020 section 5.9.5.1.
- Simulation methodology followed NFRC 100-2020
- Simulated window is 23 5/8" (600mm) x 59 1/16" (1500mm) as per table 6.2
- The charts should be used as a budget or design guide for fenestration product u-factor and rating purposes.

A = Triple glazed with Generic Group1
-Spacer containing aluminum
B = Triple glazed with Generic Group4
-Spacer containing all non metallic materials

CHARTS ARE BASED UPON A INSULATING
GLASS UNIT INFILL OF 1 3/4" (44.5mm)
OVERALL THICKNESS COMPRISED OF 6mm
GLASS/12mm AIRSPACE/6mmGLASS/12mm
AIRSPACE/6mm GLASS



ENVIRONMENTAL CONDITIONS: NFRC 100-2020		
Inside Air Temperature	Outside Air Temperature	Outside Wind Speed
21° C	-18° C	5.5 m/s

Pour la version en français, veuillez voir la page : 3.1.2.6

LES GRAPHIQUES DE SIMULATION THERMIQUE SUIVANTS DOIVENT ÊTRE UTILISÉS POUR DÉTERMINER LA VALEUR U TOTALE DU PRODUIT EN CONNAISSANT LA VALEUR U AU CENTRE DU VERRE AINSI QUE LE TYPE D'INTERCALAIRE CHOISI, OU POUR DÉTERMINER LA VALEUR U DU CENTRE DE LA VITRE ET LE TYPE D'INTERCALAIRE EN CONNAISSANT LA VALEUR U EXIGÉE DU PRODUIT.

DÉTERMINER LA VALEUR U DU CENTRE DE LA VITRE

- 1) Choisir la valeur U totale dans le graphique ci-dessous (axe vertical).
- 2) En se basant sur ce point, se déplacer à l'horizontale jusqu'à l'intercalaire spécifique (métallique ou non-métallique).
- 3) À partir de ce point, passer à la verticale jusqu'à l'axe horizontal et votre valeur U au centre de la vitre.

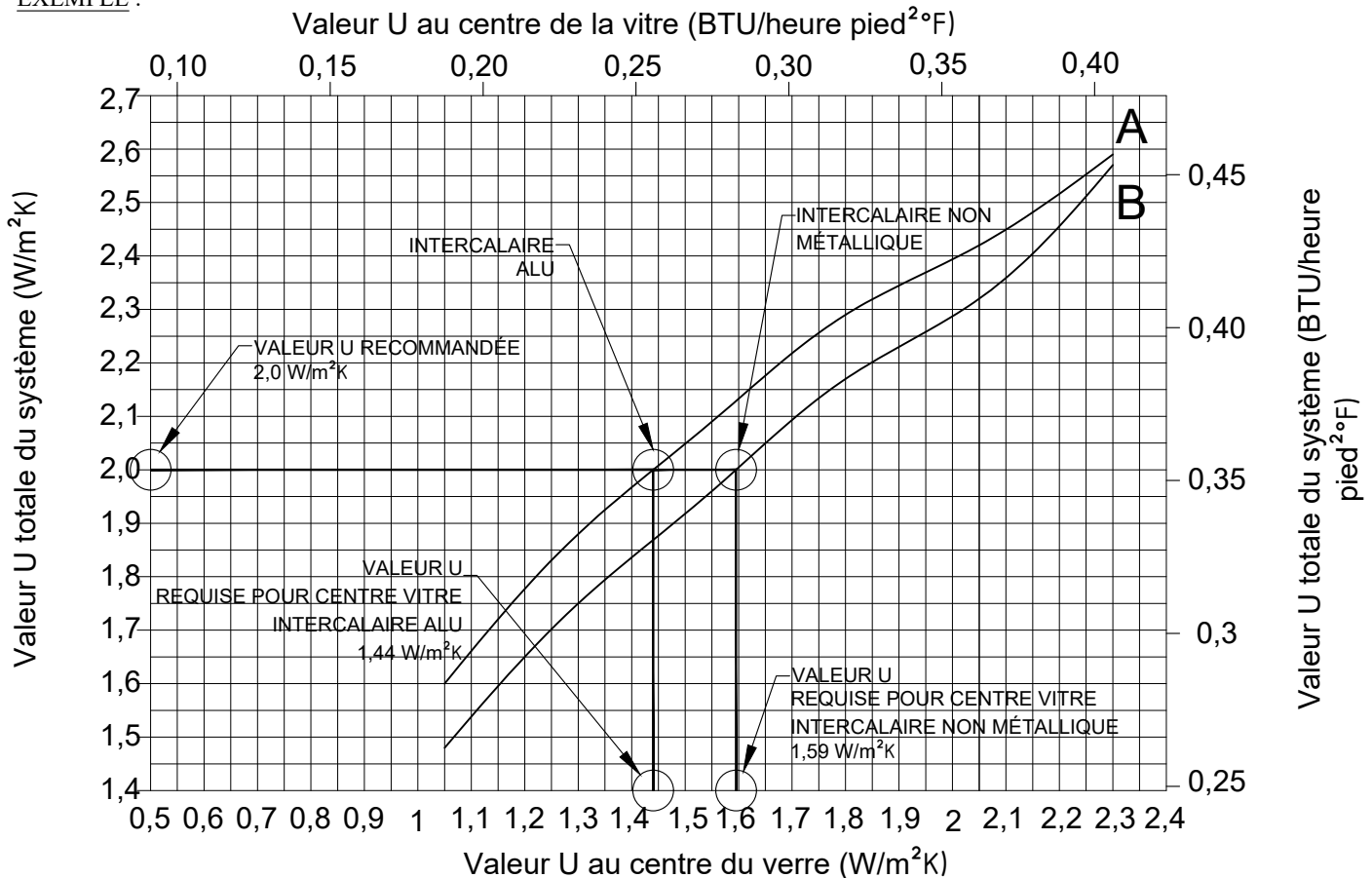
DÉTERMINER LA VALEUR U TOTALE DU SYSTÈME

- 1) Choisir la valeur U au centre du verre dans le graphique ci-dessous (axe horizontal).
- 2) En se basant sur ce point, se déplacer verticalement vers le haut jusqu'à l'intercalaire spécifique (métallique ou non-métallique).
- 3) À partir de ce point, passer à l'horizontale jusqu'à l'axe vertical et votre valeur U totale du système.

- A = Double vitrage avec groupe générique 1
- intercalaire contenant de l'aluminium
- B = Double vitrage avec groupe générique 4
- intercalaire sans matériaux métalliques

LES GRAPHIQUES SONT BASÉES SUR UN DOUBLE VITRAGE ISOLANT DE 1" (25,4 MM) D'ÉPAISSEUR HORS-TOUT, COMPRENANT UNE ÉPAISSEUR DE VERRE DE 6 MM, 12 MM D'ESPACE D'AIR ET 6 MM DE VERRE

EXEMPLE :



CONDITIONS AMBIANTES : NFRC 100-2020		
Temp. de l'air intérieur	Temp. de l'air extérieur	Vitesse du vent extérieur
21° C	-18° C	5.5 m/s

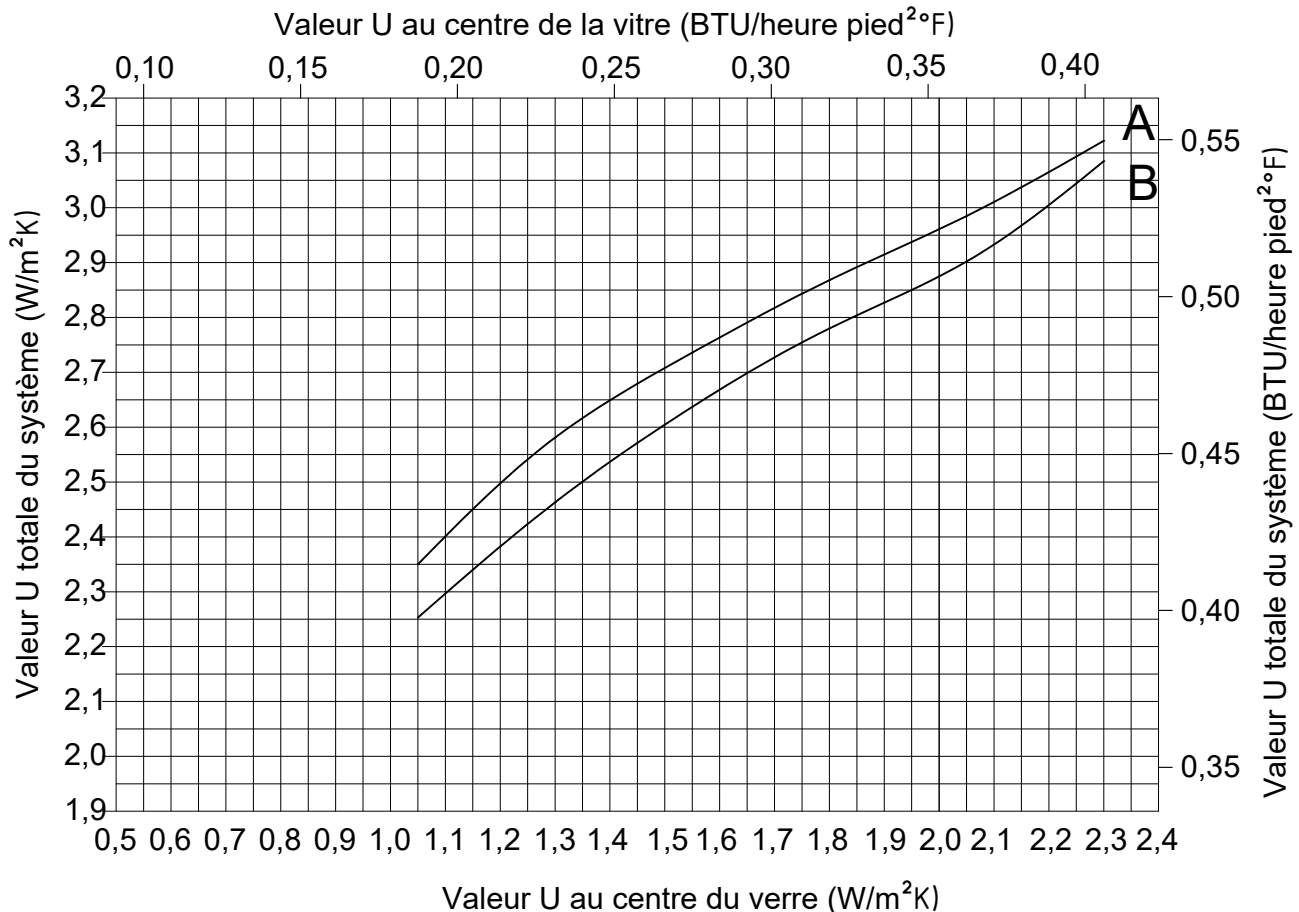
For english version please see page: 3.1.2.1

LES GRAPHIQUES DE SIMULATION THERMIQUE SUIVANTS DOIVENT ÊTRE UTILISÉS POUR DÉTERMINER LA VALEUR U TOTALE DU PRODUIT EN CONNAISSANT LA VALEUR U AU CENTRE DU VERRE AINSI QUE LE TYPE D'INTERCALAIRE CHOISI, OU POUR DÉTERMINER LA VALEUR U DU CENTRE DU VERRE ET LE TYPE D'INTERCALAIRE EN CONNAISSANT LA VALEUR U EXIGÉE DU PRODUIT.

- Les courbes représentent les résultats de simulations effectuées par des laboratoires indépendants en fonction des options de double vitrage utilisant les intercalaires les moins performants (courbe a) et les intercalaires les plus performants (courbe b). Les valeurs de conductance thermique des intercalaires sont fondées sur la norme NFRC 100-2020, section 5.9.5.1.
- La méthodologie employée pour la simulation était conforme à la norme NFRC 100-2020.
- Le mur-rideau employé pour la simulation mesurait 23 5/8" (600mm) x 59 1/16" (1500mm) tableau 6.2.
- Les graphiques doivent être utilisés comme guide pour l'établissement du budget ou pour la conception architecturale, pour déterminer la valeur u du produit de vitrage et afin d' établir les caractéristiques nominales.

A = Double vitrage avec groupe générique 1
- intercalaire contenant de l'aluminium
B = Double vitrage avec groupe générique 4
- intercalaire sans matériaux métalliques

LES GRAPHIQUES SONT BASÉES SUR UN
DOUBLE VITRAGE ISOLANT DE 1" (25,4 MM)
D'ÉPAISSEUR HORS-TOUT, COMPRENANT
UNE ÉPAISSEUR DE VERRE DE 6 MM,
12 MM D'ESPACE D'AIR ET 6 MM DE VERRE



CONDITIONS AMBIANTES : NFRC 100-2020

Temp. de l'air intérieur	Temp. de l'air extérieur	Vitesse du vent extérieur
21° C	-18° C	5,5 m/s

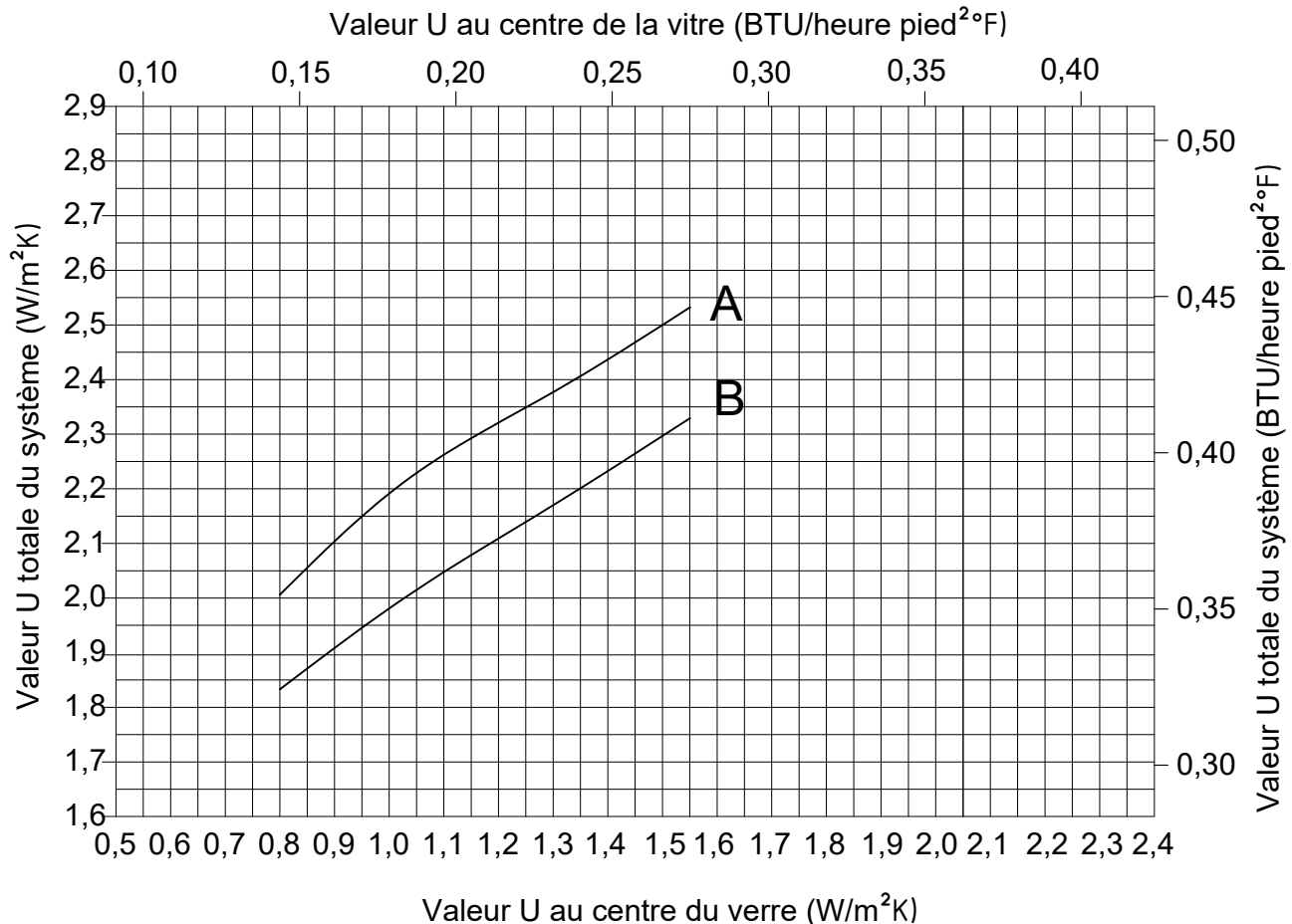
For english version please see page: 3.1.2.2

LES GRAPHIQUES DE SIMULATION THERMIQUE SUIVANTS DOIVENT ÊTRE UTILISÉS POUR DÉTERMINER LA VALEUR U TOTALE DU PRODUIT EN CONNAISSANT LA VALEUR U AU CENTRE DU VERRE AINSI QUE LE TYPE D'INTERCALAIRE CHOISI, OU POUR DÉTERMINER LA VALEUR U DU CENTRE DU VERRE ET LE TYPE D'INTERCALAIRE EN CONNAISSANT LA VALEUR U EXIGÉE DU PRODUIT.

- Les courbes représentent les résultats de simulations effectuées par des laboratoires indépendants en fonction des options de triple vitrage utilisant les intercalaires les moins performants (courbe a) et les intercalaires les plus performants (courbe b). Les valeurs de conductance thermique des intercalaires sont fondées sur la norme NFRC 100-2020, section 5.9.5.1.
- La méthodologie employée pour la simulation était conforme à la norme NFRC 100-2020.
- Le mur-rideau employé pour la simulation mesurait 23 5/8" (600mm) x 59 1/16" (1500mm) tableau 6.2.
- Les graphiques doivent être utilisés comme guide pour l'établissement du budget ou pour la conception architecturale, pour déterminer la valeur u du produit de vitrage et afin d'établir les caractéristiques nominales.

A = Triple vitrage avec groupe générique 1
- intercalaire contenant de l'aluminium
B = Triple vitrage avec groupe générique 4
- intercalaire sans matériaux métalliques

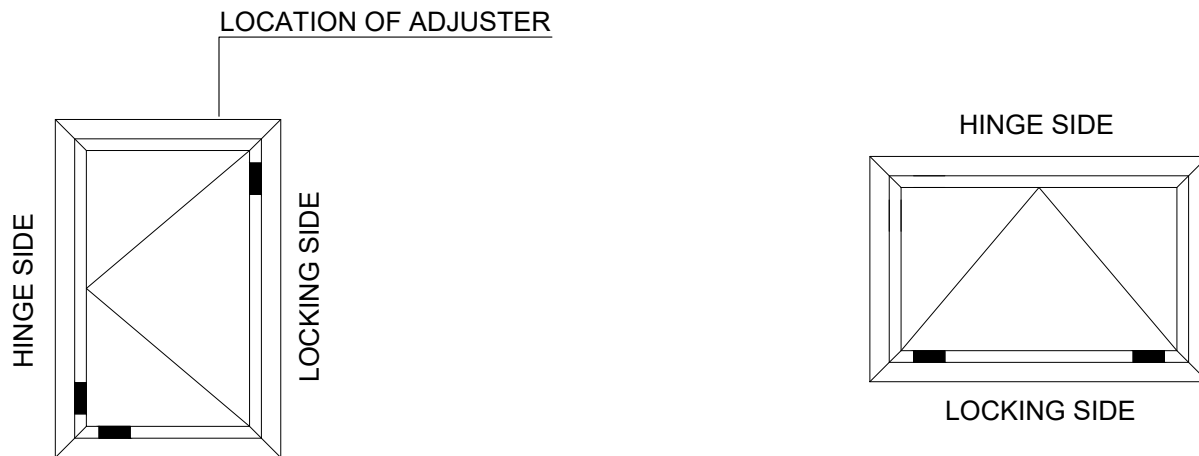
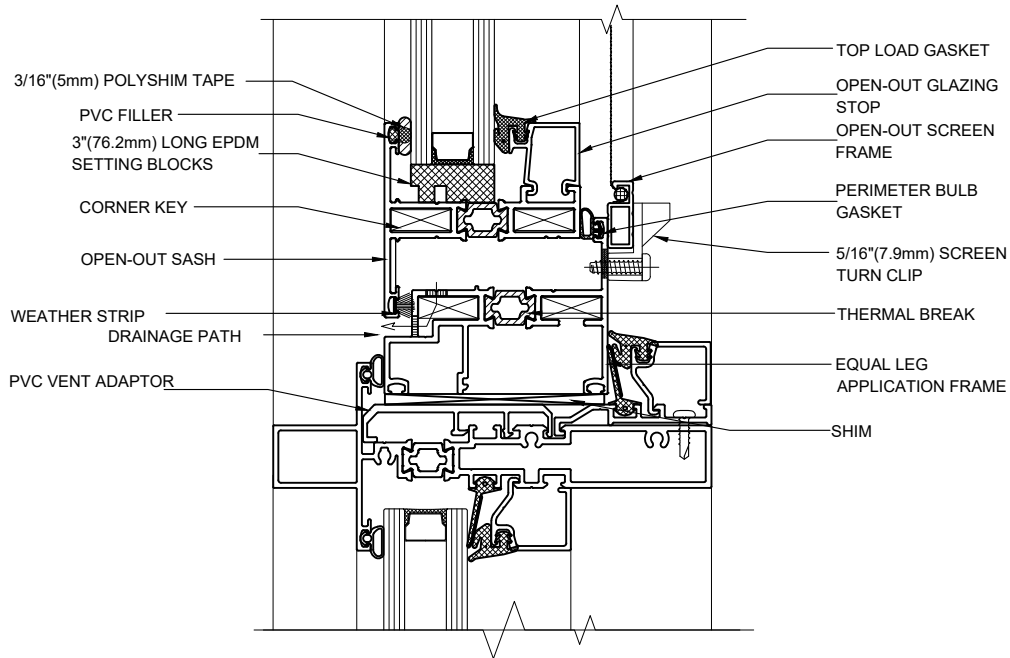
LES GRAPHIQUES SONT BASÉES SUR UN TRIPLE VITRAGE ISOLANT DE 1 3/4" (44.5MM) D'ÉPAISSEUR HORS-TOUT, COMPOSÉ DE 3VERRES DE 6 MM ET DE DEUX INTERCALAIRES DE 12 MM.



CONDITIONS AMBIANTES : NFRC 100-2020		
Temp. de l'air intérieur	Temp. de l'air extérieur	Vitesse du vent extérieur
21° C	-18° C	5,5 m/s

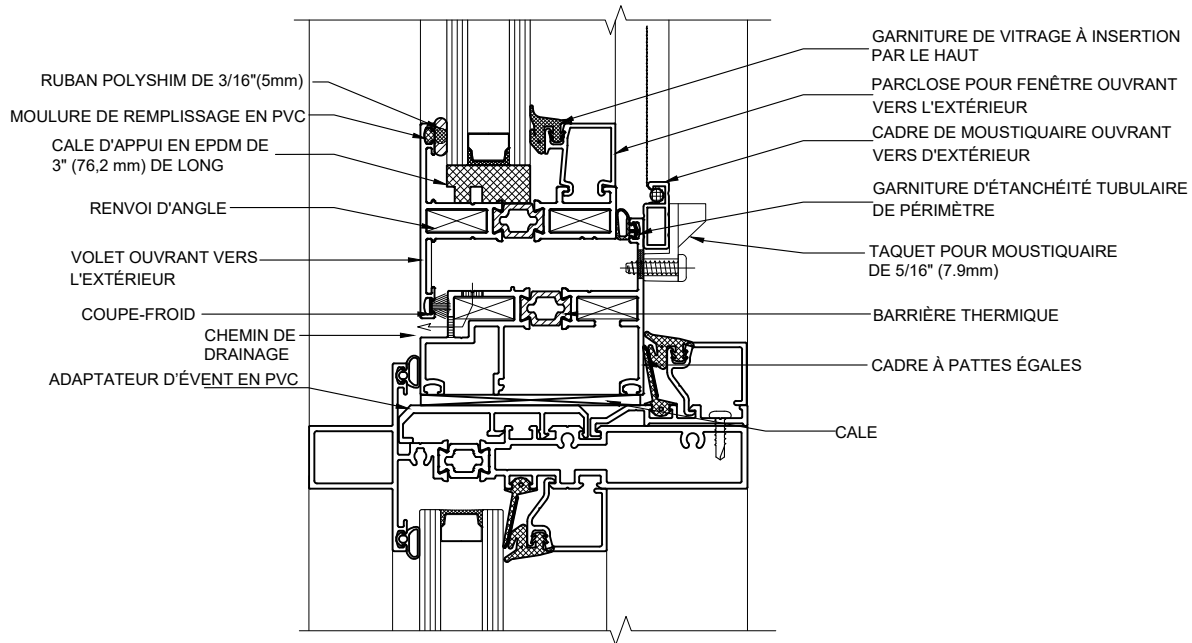
For english version please see page: 3.1.2.3

PROJECT - OUT SILL DETAIL



THE ABOVE DIAGRAM SHOWS THE CORRECT INSTALLATION OF AN INSULATING GLASS UNIT (IGU) INTO AN UNIVENT 1350 AWNING AND CASEMENT WINDOW. NOTE THE POSITION OF SETTING BLOCKS. **AWNING AND CASEMENT MUST BE INSTALLED SQUARE AND PLUMB.** ONCE PROPER GLAZING IS COMPLETE AND THE SASH IS SQUARE, FOR CASEMENT ONLY SNUG THE ADJUSTING BOLT AT THE TOP OF THE SASH TO PREVENT SASH SAGGING. FOR ANY FURTHER INFORMATION WITH REGARDS TO CORRECT INSTALLATION PROCEDURES, PLEASE CONTACT YOUR ALUMICOR REPRESENTATIVE.

DÉTAIL TYPIQUE DE FENÊTRE OUVRANTE



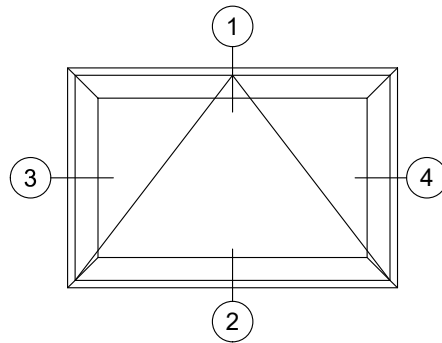
LE GRAPHIQUE CI-DESSUS DÉMONTRE LES ÉTAPES À SUIVRE AFIN D'INSTALLER UN VITRAGE ISOLANT DANS UNE FENÊTRE OUVRANTE À BATTANT UNIVENT 1350. REMARQUEZ LE POSITIONNEMENT DES CALES D'APPUI. **LA FENÊTRE À BATTANT DOIT ÊTRE INSTALLÉE D'ÉQUERRE ET D'APLOMB.** UNE FOIS LE VITRAGE APPROPRIÉ INSTALLÉ ET LE VOILET D'ÉQUERRE, VISSER LE BOULON D'AJUSTEMENT EN HAUT DU VOILET POUR EMPÊCHER QUE CELUI-CI NE S'AFFAÎSE. POUR TOUTE INFORMATION SUPPLÉMENTAIRE PORTANT SUR LES PROCÉDURES D'INSTALLATION À RESPECTER, VEUILLEZ COMMUNIQUER AVEC VOTRE REPRÉSENTANT ALUMICOR.

UniVent 1350

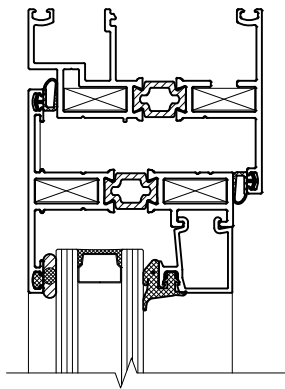
Typical details - double vitrage
Détails typiques - double vitrage

Index

UNIVENT 1350 THPO USED AS AN OPERABLE INSERT
VOIET UNIVENT 1350 PHOE UTILISÉ COMME INSERTION OUVRANTE

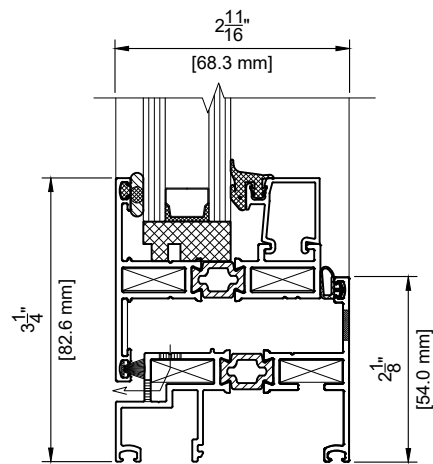


AWNING (THPO)
FENÊTRE À AUVENT (PHOE)



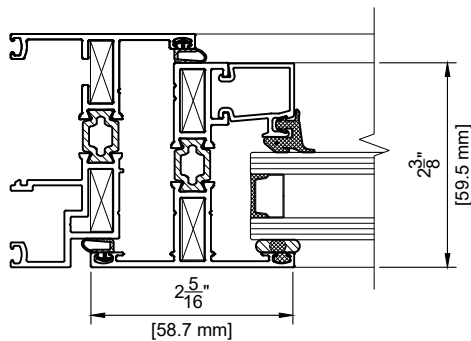
1

HORIZONTAL
TRAVERSE HORIZONTALE



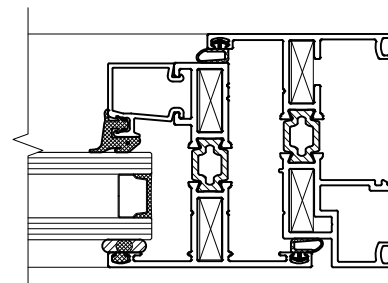
2

HORIZONTAL
TRAVERSE HORIZONTALE



3

VERTICAL / VERTICAUX



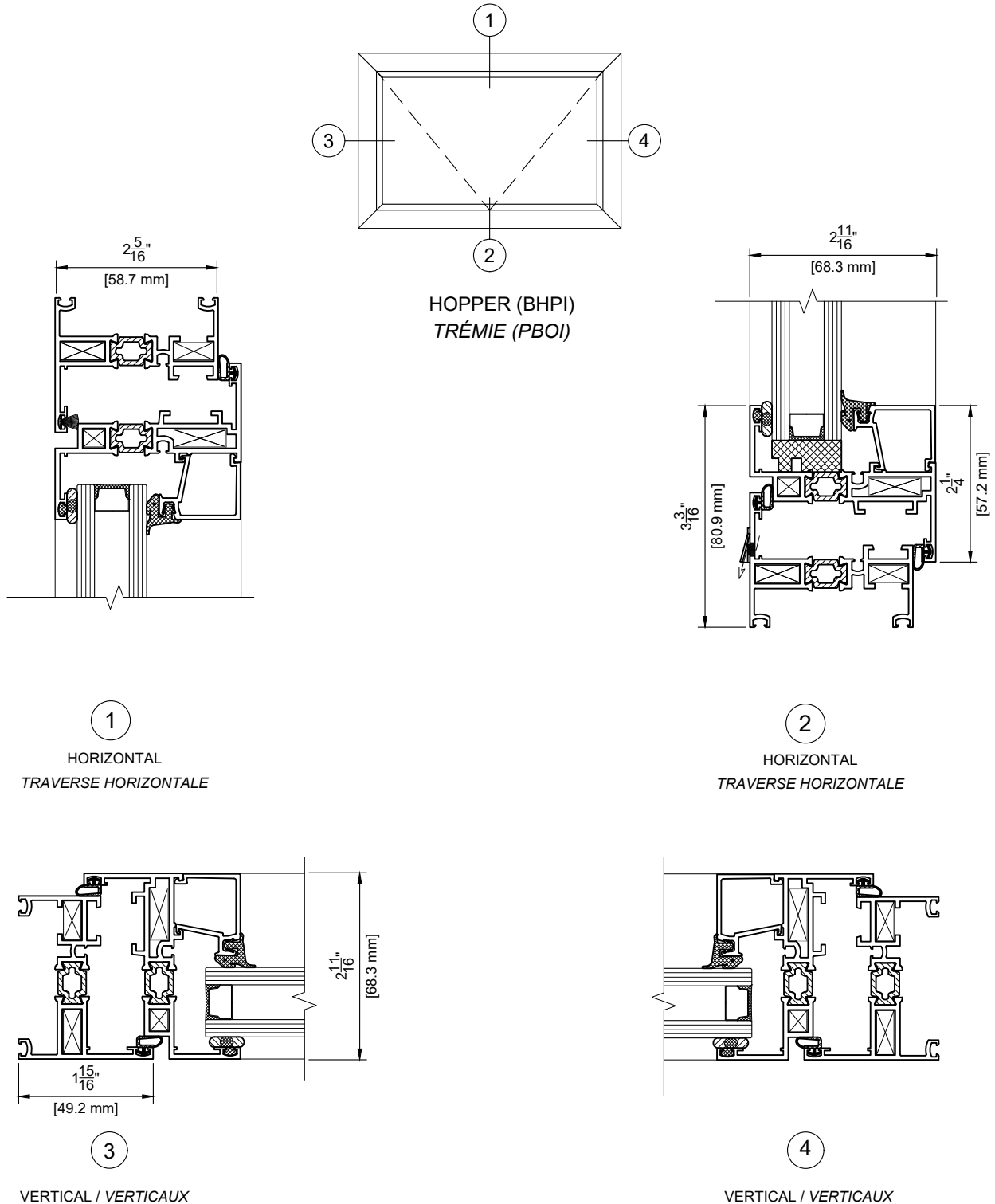
4

VERTICAL / VERTICAUX

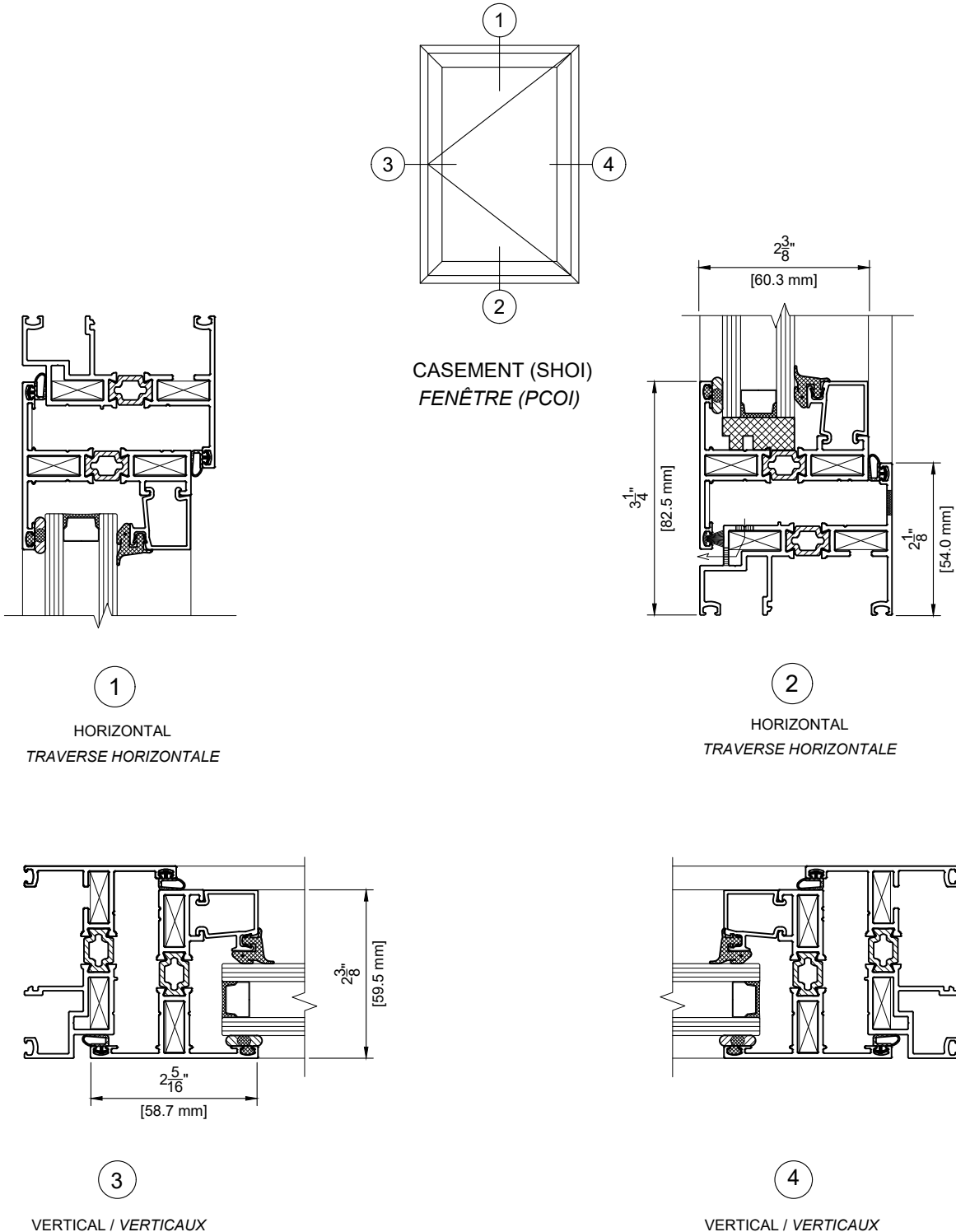
UniVent 1350

Typical details - double vitrage
Détails typiques - double vitrage

UNIVENT 1350 BHPI USED AS AN OPERABLE INSERT
 VOIET UNIVENT 1350 PBOI UTILISÉ COMME INSERTION OUVRANTE



UNIVENT 1350 SHOO USED AS AN OPERABLE INSERT
 VOIET UNIVENT 1350 POE UTILISÉ COMME INSERTION OUVRANTE

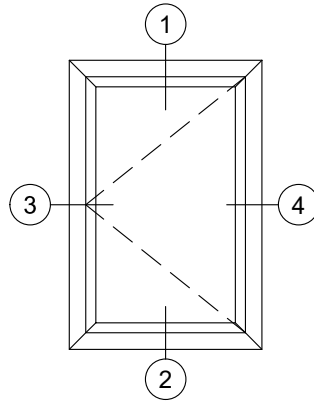


UniVent 1350

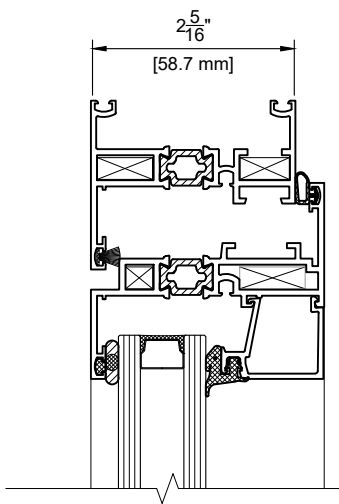
Typical details - double vitrage
Détails typiques - double vitrage

Index

UNIVENT 1350 SHOI USED AS AN OPERABLE INSERT
VOIET UNIVENT 1350 PCOI UTILISÉ COMME INSERTION OUVRANTE

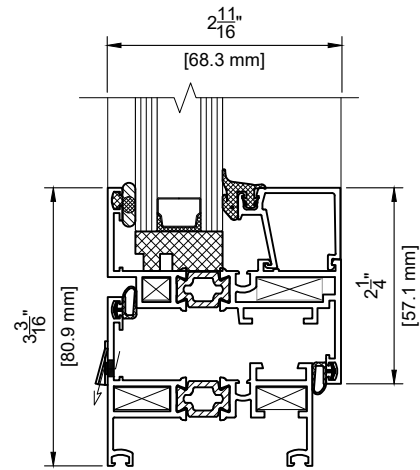


CASEMENT (SHOI)
FENÊTRE (PCOI)



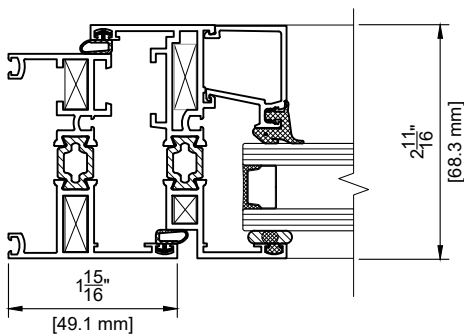
1

HORIZONTAL
TRAVERSE HORIZONTALE



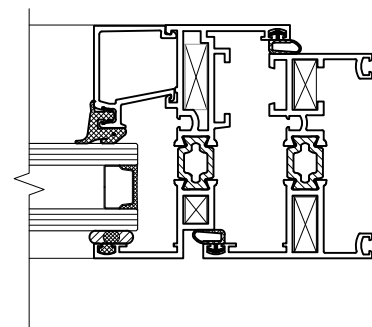
2

HORIZONTAL
TRAVERSE HORIZONTALE



3

VERTICAL / VERTICAUX



4

VERTICAL / VERTICAUX

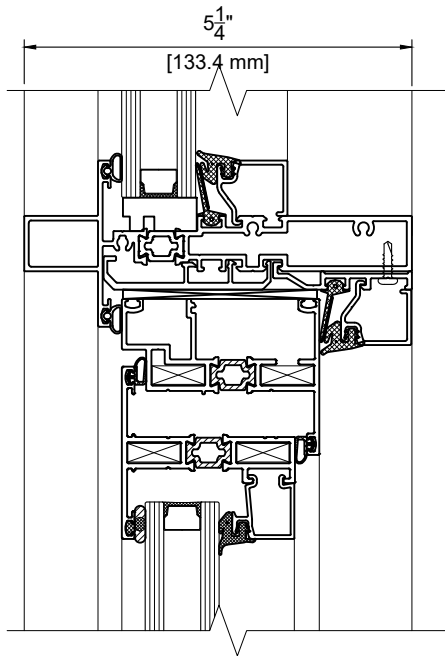
UniVent 1350

Typical details - double vitrage
Détails typiques - double vitrage

Index

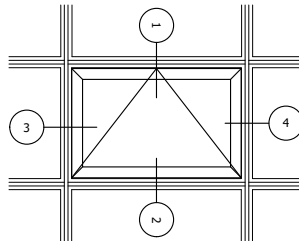
PROJECT- OUT UNIVENT 1350 INSTALLED IN FIXED WINDOW RAINBLADE 1970

UNE FENÊTRE OUVRANTE UNIVENT 1350 INSTALLÉE DANS UNE FENÊTRE FIXE RAINBLADE 1970

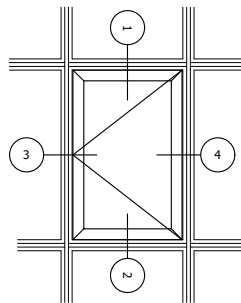


1

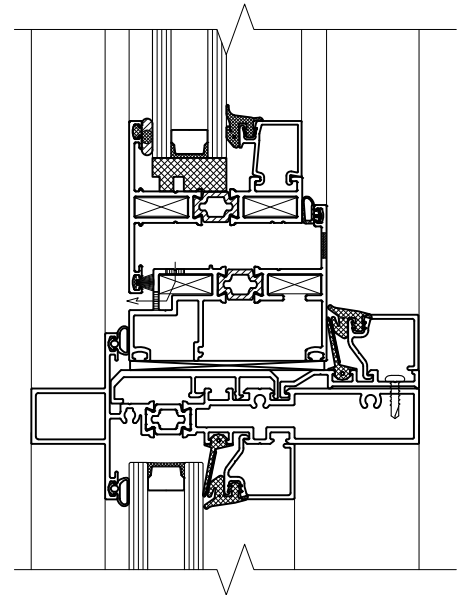
HORIZONTAL
TRAVERSE HORIZONTALE



AWNING (THPO)
FENÊTRE À AUVENT (PHOE)

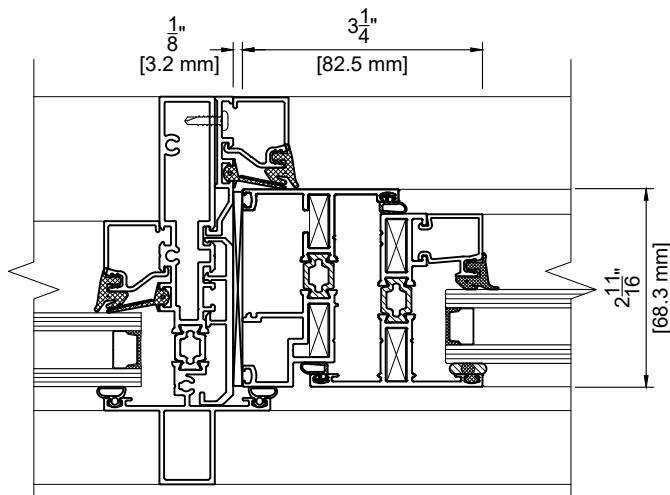


CASEMENT (SHOO)
FENÊTRE (PCOE)



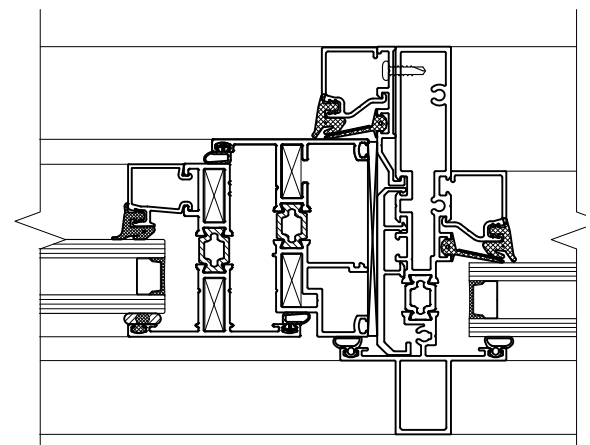
2

HORIZONTAL
TRAVERSE HORIZONTALE



3

VERTICAL / VERTICAUX



4

VERTICAL / VERTICAUX

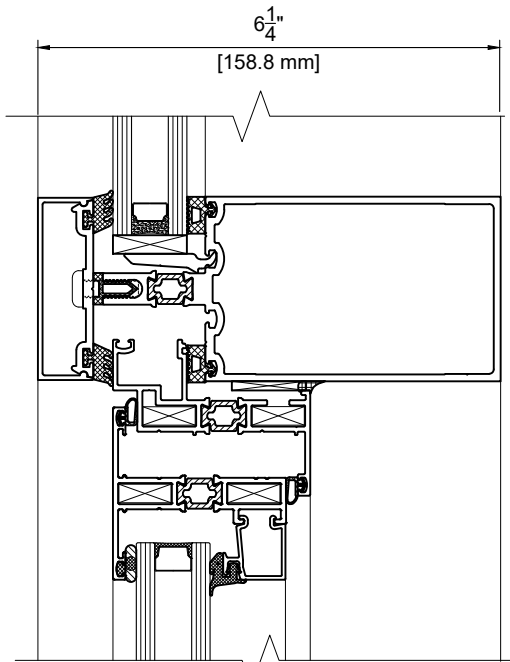
UniVent 1350

Typical details - double vitrage
Détails typiques - double vitrage

Index

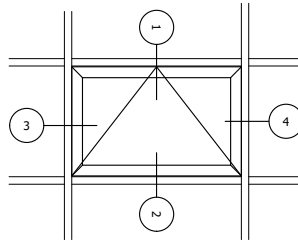
PROJECT - OUT UNIVENT 1350 INSTALLED IN CURTAIN WALL THERMAWALL 2600

UNE FENÊTRE OUVRANTE UNIVENT 1350 INSTALLÉE DANS LE MUR-RIDEAU THERMAWALL 2600

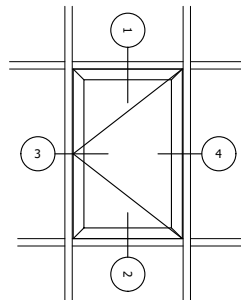


1

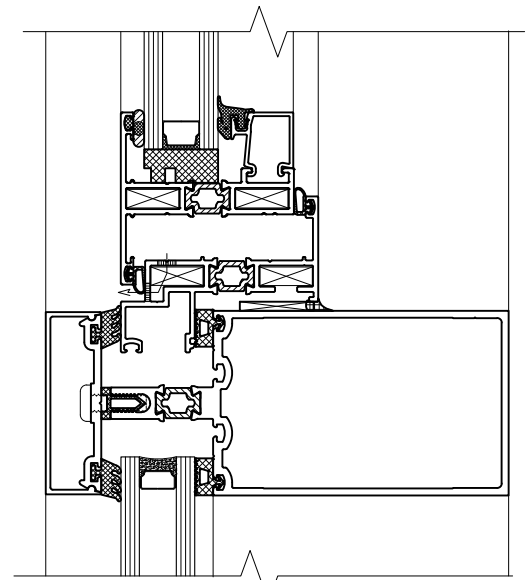
HORIZONTAL
TRAVERSE HORIZONTALE



AWNING (THPO)
FENÊTRE À AUVENT (PHOE)

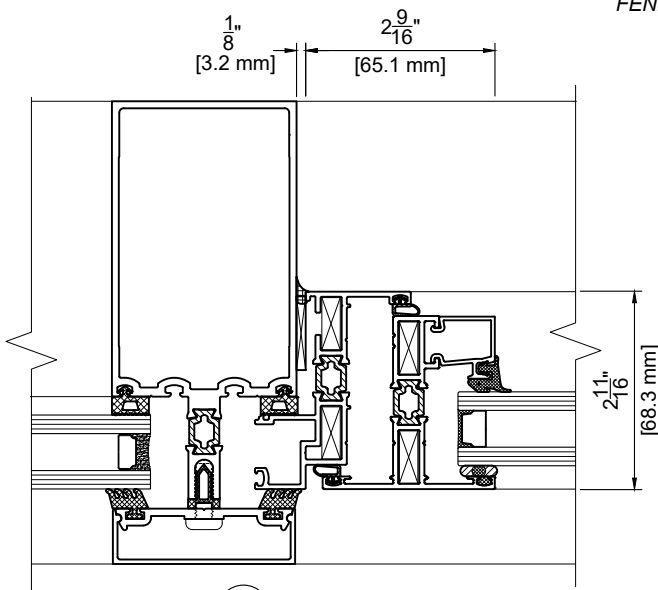


CASEMENT (SHOO)
FENÊTRE (PCOE)



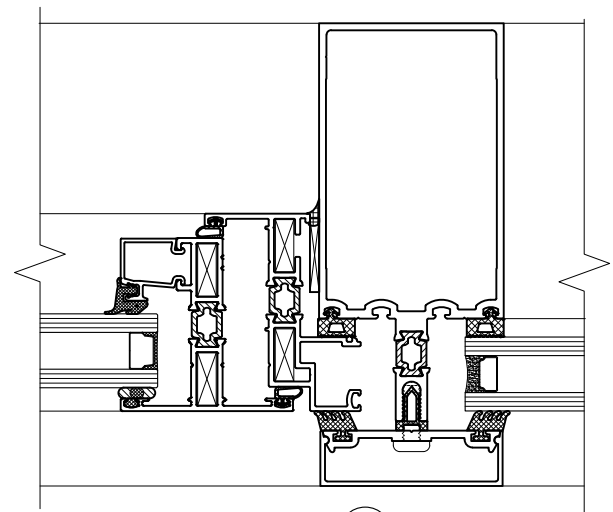
2

HORIZONTAL
TRAVERSE HORIZONTALE



3

VERTICAL / VERTICAUX



4

VERTICAL / VERTICAUX

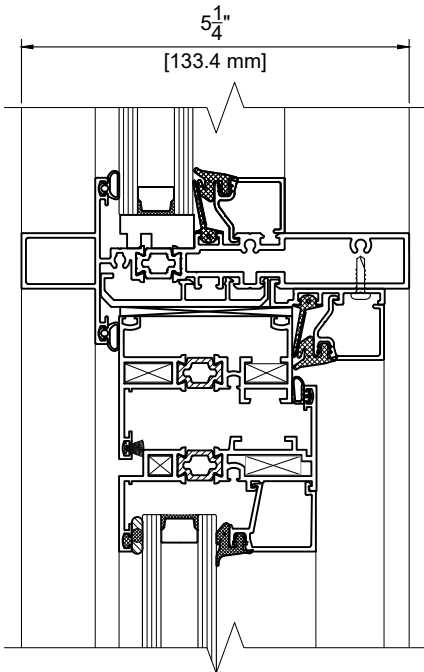
UniVent 1350

Typical details - double vitrage
Détails typiques - double vitrage

Index

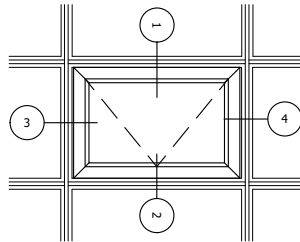
PROJECT- IN UNIVENT 1350 INSTALLED IN FIXED WINDOW RAINBLADE 1970

UNE FENÊTRE OUVRANTE UNIVENT 1350 INSTALLÉE DANS UNE FENÊTRE FIXE RAINBLADE 1970

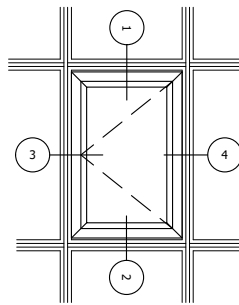


1

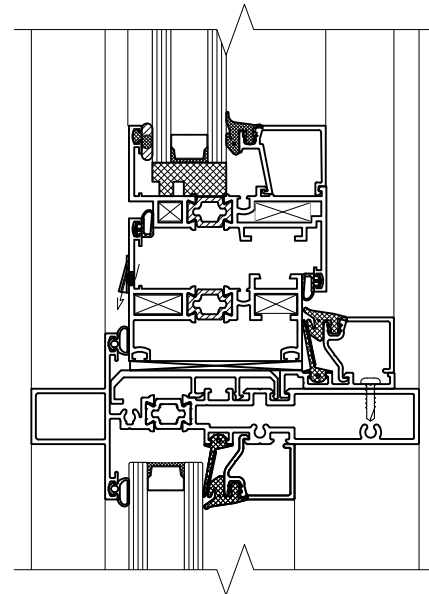
HORIZONTAL
 TRAVERSE HORIZONTALE



HOPPER (BHPI)
 TRÉMIE (PBOI)

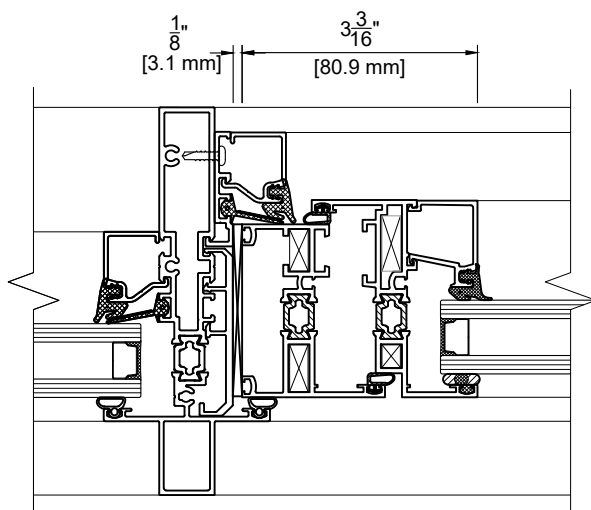


CASEMENT (SHOI)
 FENÊTRE (PCOI)



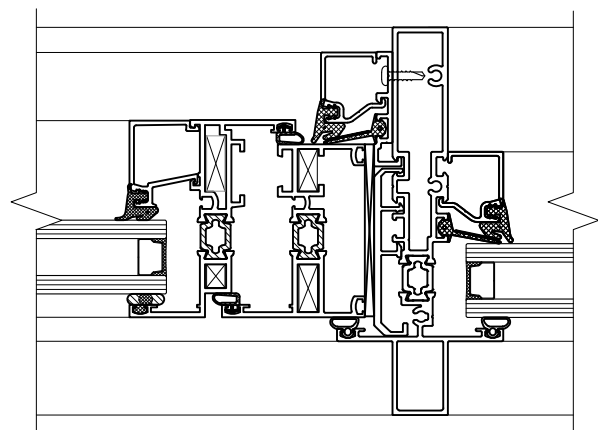
2

HORIZONTAL
 TRAVERSE HORIZONTALE



3

VERTICAL / VERTICAUX



4

VERTICAL / VERTICAUX

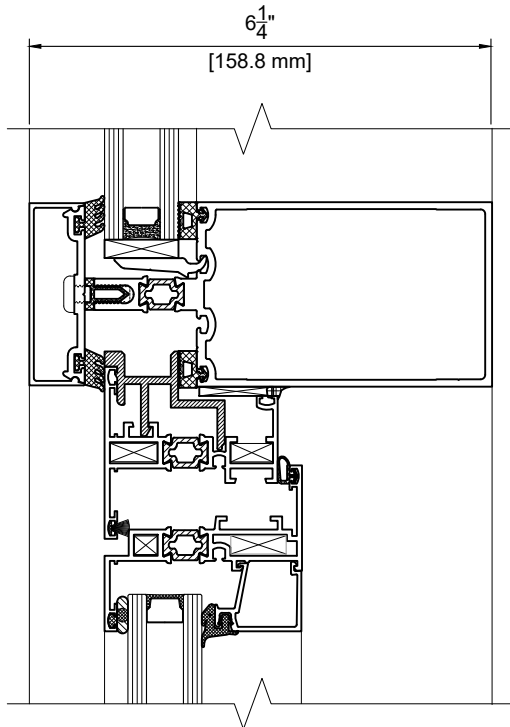
UniVent 1350

Typical details - double vitrage
Détails typiques - double vitrage

Index

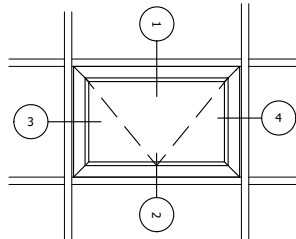
PROJECT-IN UNIVENT 1350 INSTALLED IN CURTAIN WALL THERMAWALL 2600

UNE FENÊTRE OUVRANTE UNIVENT 1350 INSTALLÉE DANS LE MUR-RIDEAU THERMAWALL 2600

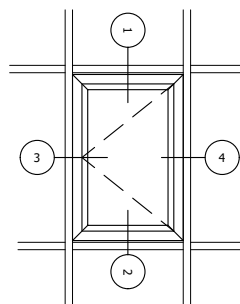


1

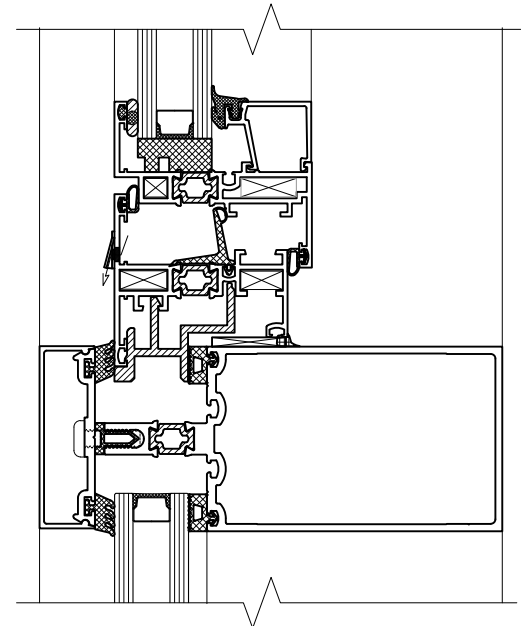
HORIZONTAL
TRAVERSE HORIZONTALE



HOPPER (BHPI)
TRÉMIE (PBOI)

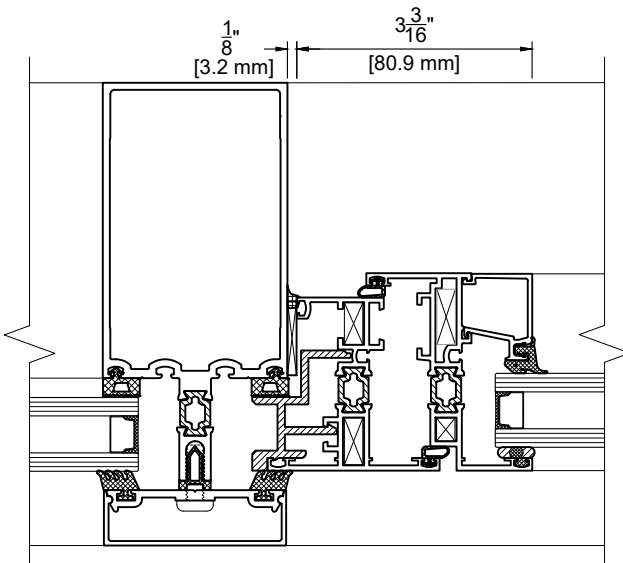


CASEMENT (SHOI)
FENÊTRE (PCOI)



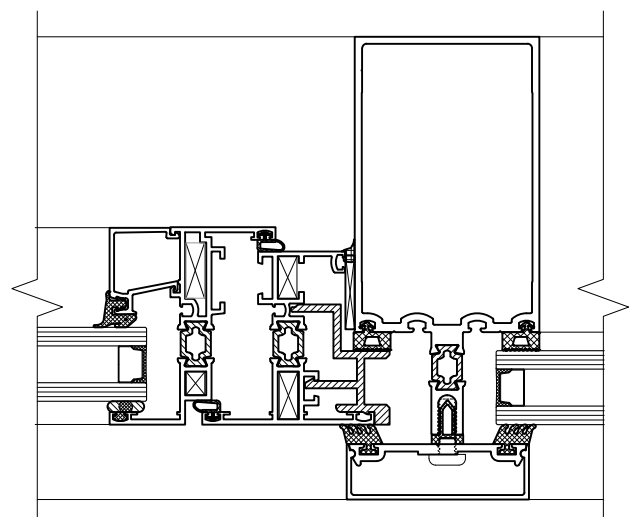
2

HORIZONTAL
TRAVERSE HORIZONTALE



3

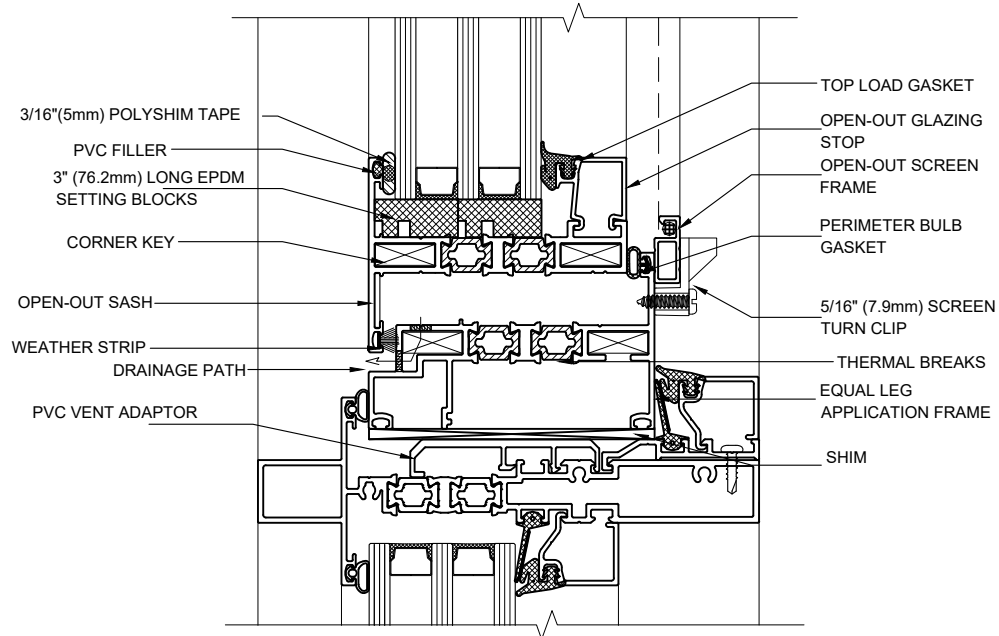
VERTICAL / VERTICAUX



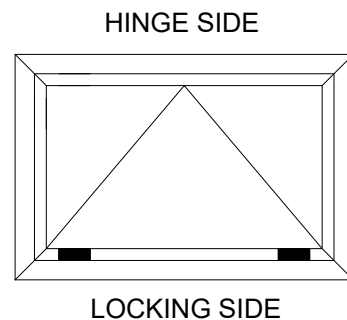
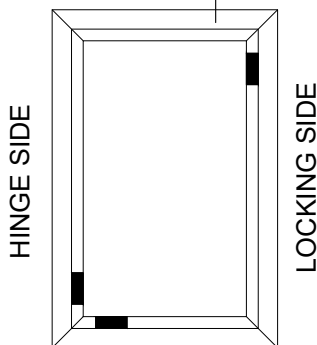
4

VERTICAL / VERTICAUX

PROJECT - OUT SILL DETAIL

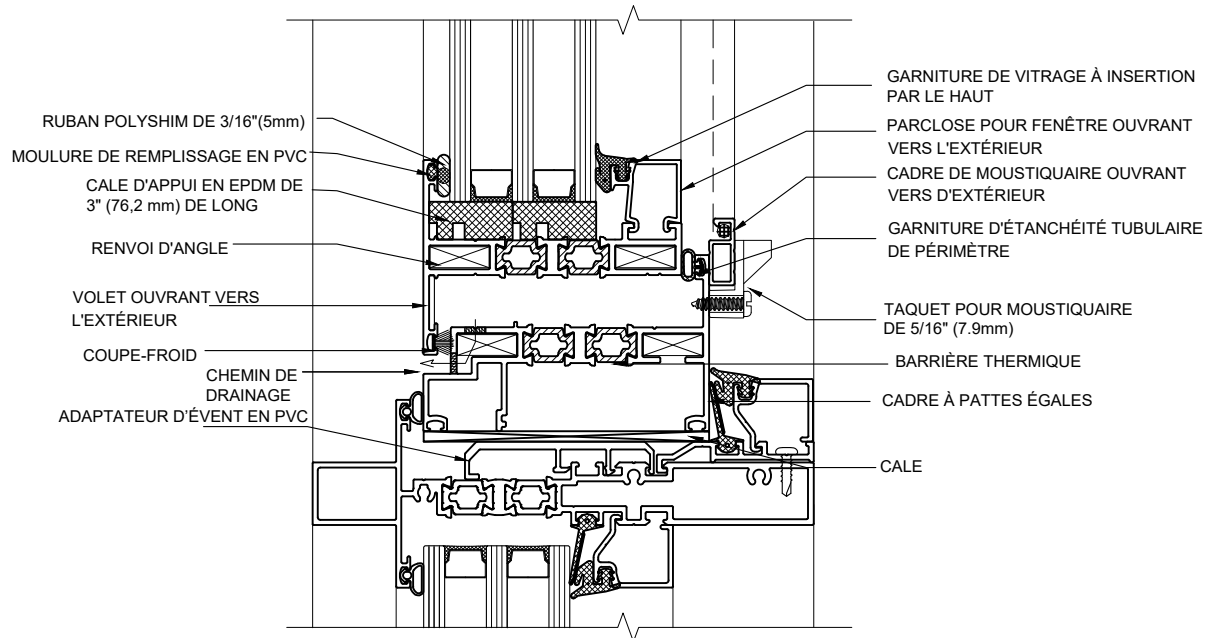


LOCATION OF ADJUSTER



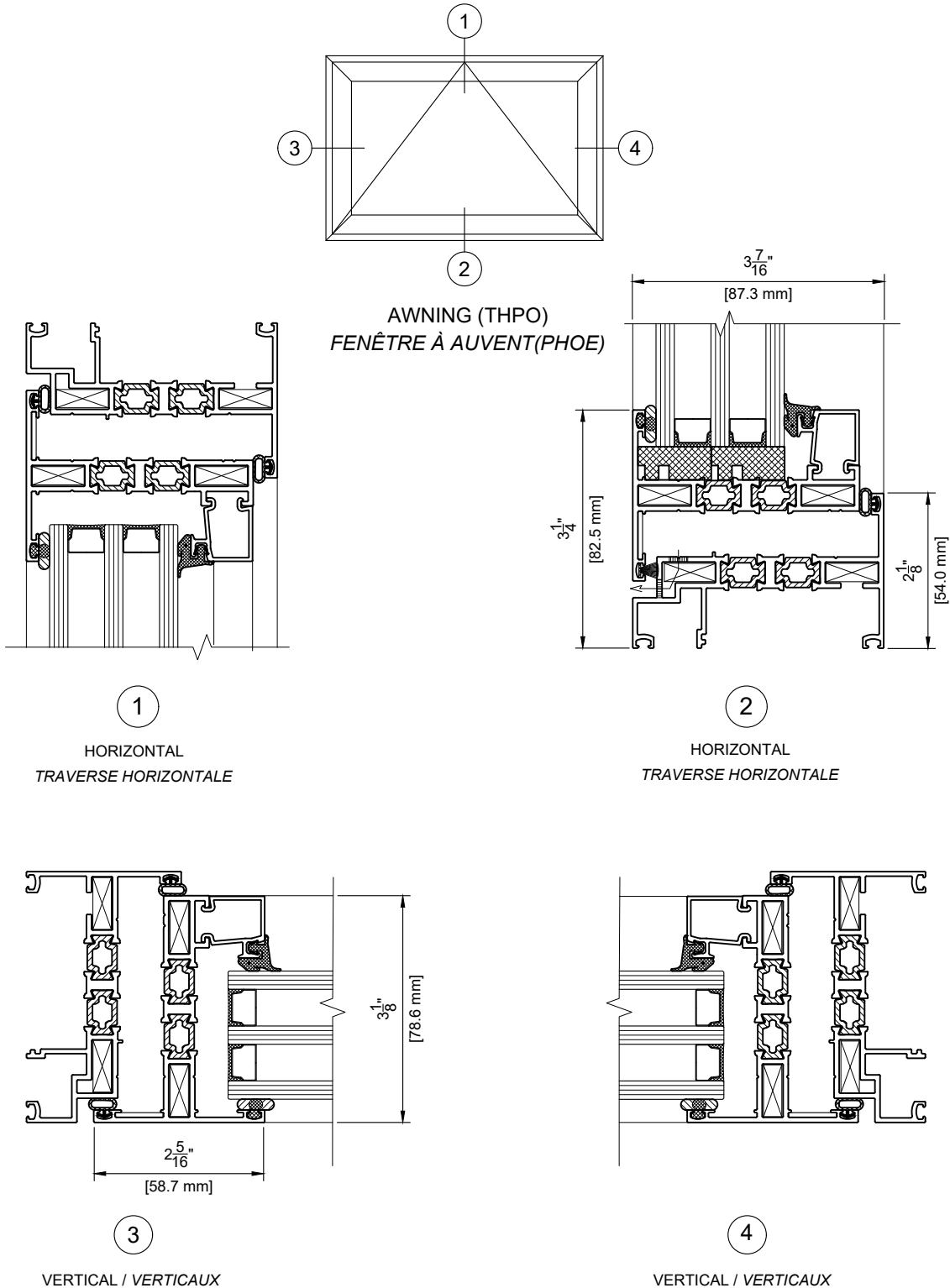
THE ABOVE DIAGRAM SHOWS THE CORRECT INSTALLATION OF AN INSULATING GLASS UNIT (IGU) INTO AN UNIVENT 1350 AWNING AND CASEMENT WINDOW. NOTE THE POSITION OF SETTING BLOCKS. **AWNING AND CASEMENT MUST BE INSTALLED SQUARE AND PLUMB.** ONCE PROPER GLAZING IS COMPLETE AND THE SASH IS SQUARE, FOR CASEMENT ONLY SNUG THE ADJUSTING BOLT AT THE TOP OF THE SASH TO PREVENT SASH SAGGING. FOR ANY FURTHER INFORMATION WITH REGARDS TO CORRECT INSTALLATION PROCEDURES, PLEASE CONTACT YOUR ALUMICOR REPRESENTATIVE.

DÉTAIL TYPIQUE DE FENÊTRE OUVRANTE

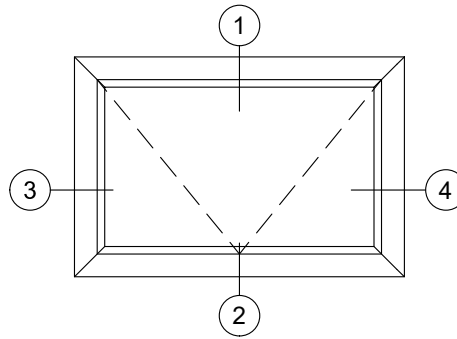


LE GRAPHIQUE CI-DESSUS DÉMONTRE LES ÉTAPES À SUIVRE AFIN D'INSTALLER UN VITRAGE ISOLANT DANS UNE FENÊTRE OUVRANTE À BATTANT UNIVENT 1350. REMARQUEZ LE POSITIONNEMENT DES CALES D'APPUI. **LA FENÊTRE À BATTANT DOIT ÊTRE INSTALLÉE D'ÉQUERRE ET D'APLOMB.** UNE FOIS LE VITRAGE APPROPRIÉ INSTALLÉ ET LE VOLET D'ÉQUERRE, VISSER LE BOULON D'AJUSTEMENT EN HAUT DU VOLET POUR EMPÊCHER QUE CELUI-CI NE S'AFFAISSE. POUR TOUTE INFORMATION SUPPLÉMENTAIRE PORTANT SUR LES PROCÉDURES D'INSTALLATION À RESPECTER, VEUILLEZ COMMUNIQUER AVEC VOTRE REPRÉSENTANT ALUMICOR.

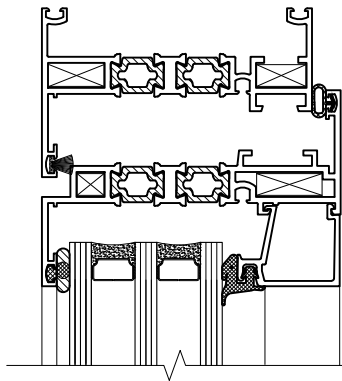
UNIVENT 1350 THPO USED AS AN OPERABLE INSERT
 VOIET UNIVENT 1350 PHOE UTILISÉ COMME INSERTION OUVRANTE



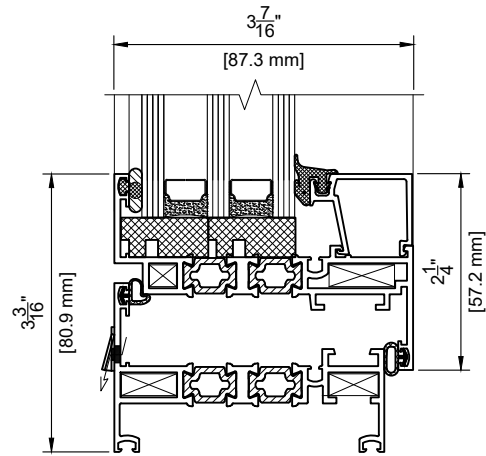
UNIVENT 1350 BHPI USED AS AN OPERABLE INSERT
 VOIET UNIVENT 1350 PBOI UTILISÉ COMME INSERTION OUVRANTE



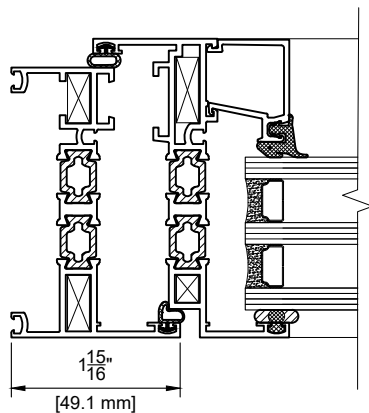
HOPPER (BHPI)
 TRÉMIE (PBOI)



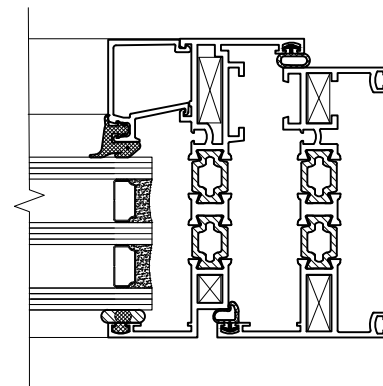
①
 HORIZONTAL
 TRAVERSE HORIZONTALE



②
 HORIZONTAL
 TRAVERSE HORIZONTALE

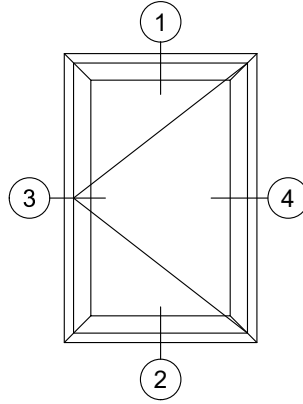


③
 VERTICAL / VERTICAUX

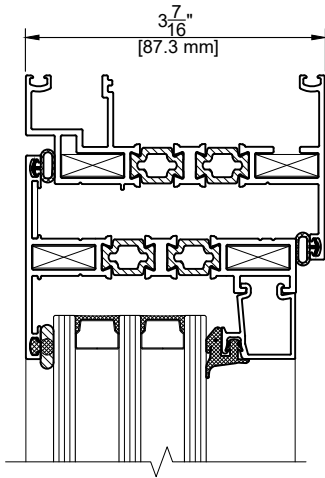


④
 VERTICAL / VERTICAUX

UNIVENT 1350 SHOO USED AS AN OPERABLE INSERT
 VOIET UNIVENT 1350 POOE UTILISÉ COMME INSERTION OUVRANTE

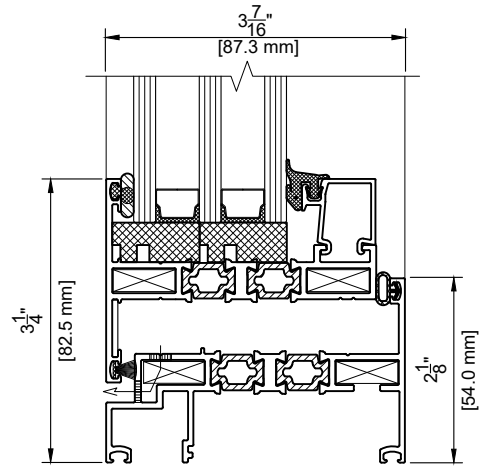


CASEMENT (SHOI)
 FENÊTRE (PCOI)



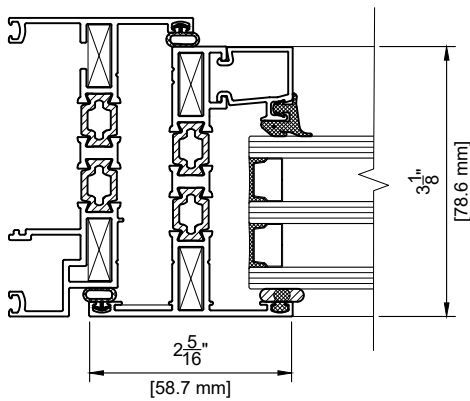
1

HORIZONTAL
 TRAVERSE HORIZONTALE



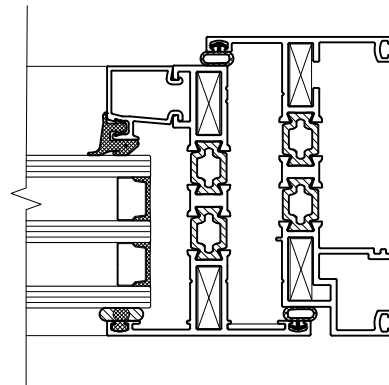
2

HORIZONTAL
 TRAVERSE HORIZONTALE



3

VERTICAL / VERTICAUX



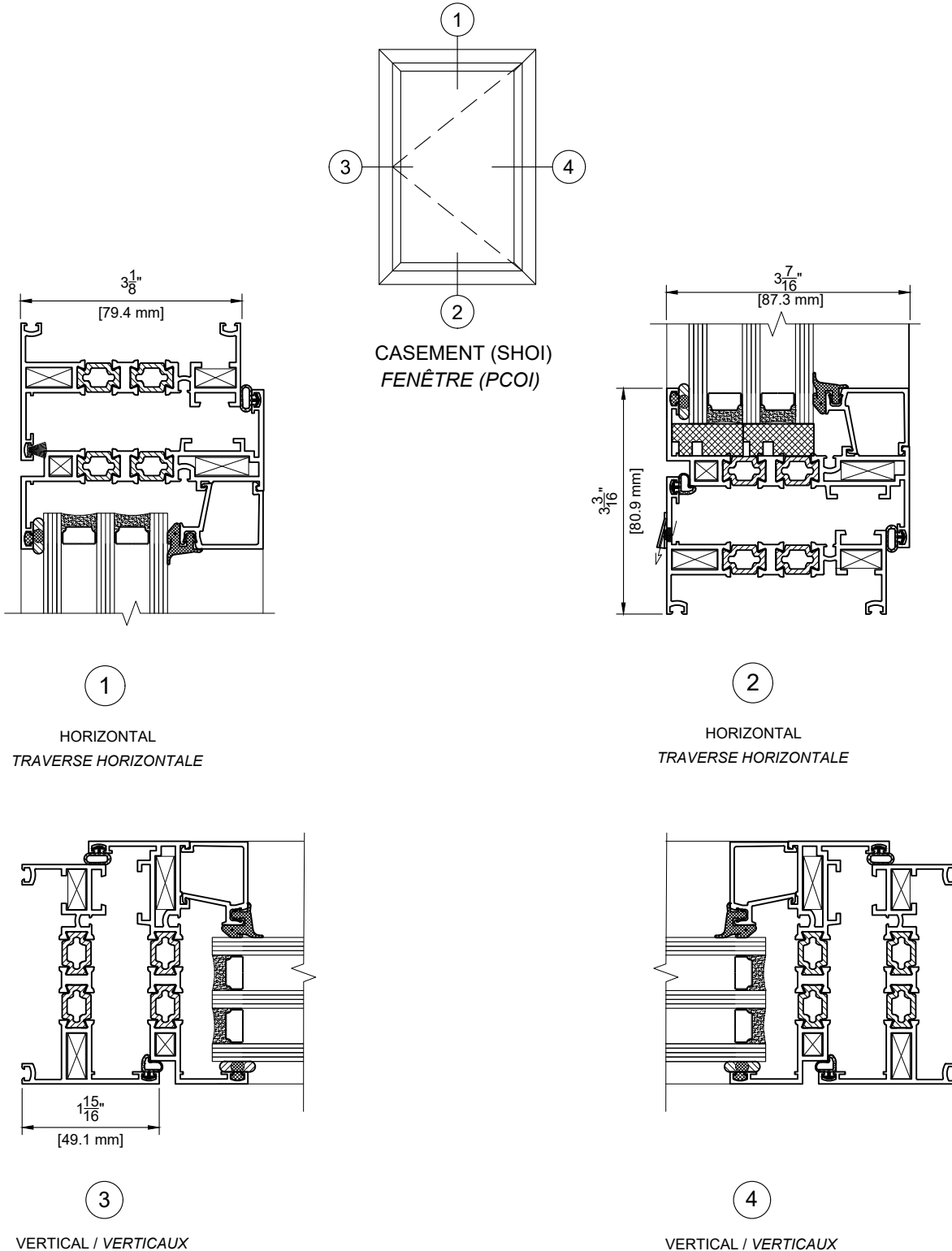
4

VERTICAL / VERTICAUX

UniVent 1350

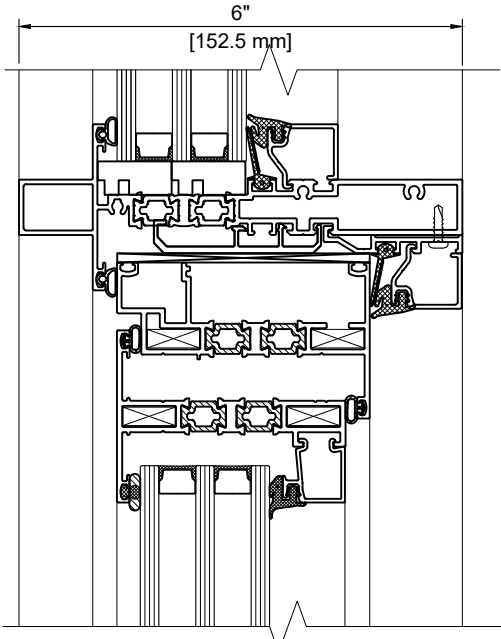
Typical details - triple vitrage
Détails typiques - triple vitrage

UNIVENT 1350 SHOI USED AS AN OPERABLE INSERT
 VOIET UNIVENT 1350 PCOI UTILISÉ COMME INSERTION OUVRANTE



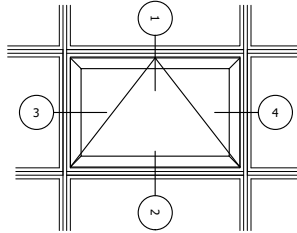
PROJECT- OUT UNIVENT 1350 INSTALLED IN FIXED WINDOW RAINBLADE 1970

UNE FENÊTRE OUVRANTE UNIVENT 1350 INSTALLÉE DANS UNE FENÊTRE FIXE RAINBLADE 1970

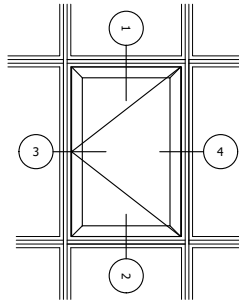


1

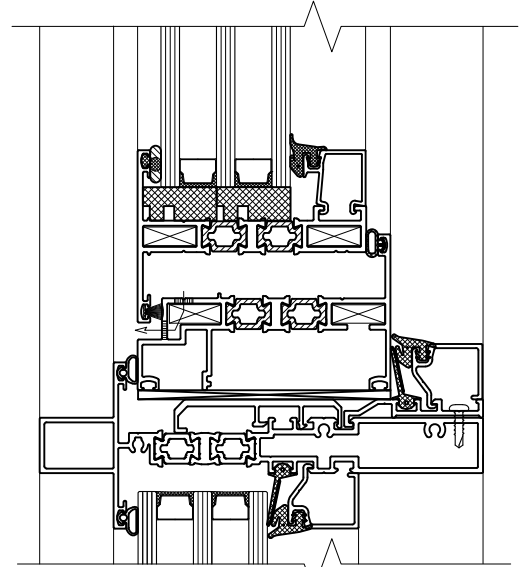
HORIZONTAL
 TRAVERSE HORIZONTALE



AWNING (THPO)
 FENÊTRE À AUVENT (PHOO)

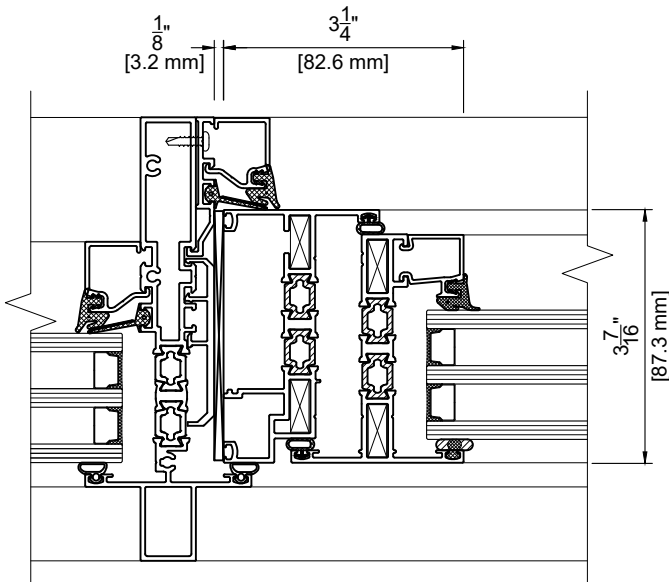


CASEMENT (SHOO)
 FENÊTRE (PCOO)



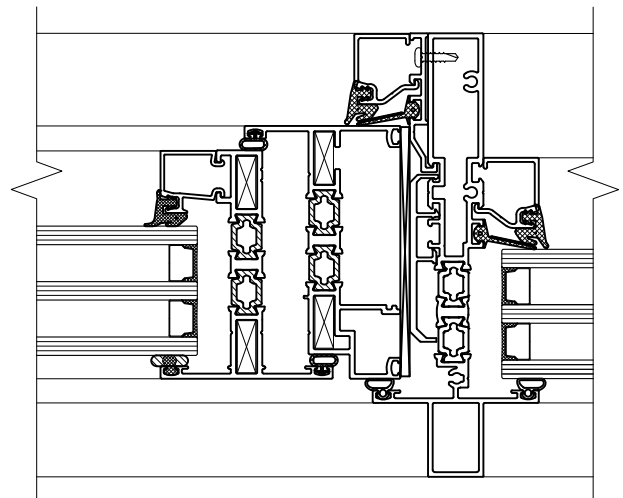
2

HORIZONTAL
 TRAVERSE HORIZONTALE



3

VERTICAL / VERTICAUX



4

VERTICAL / VERTICAUX

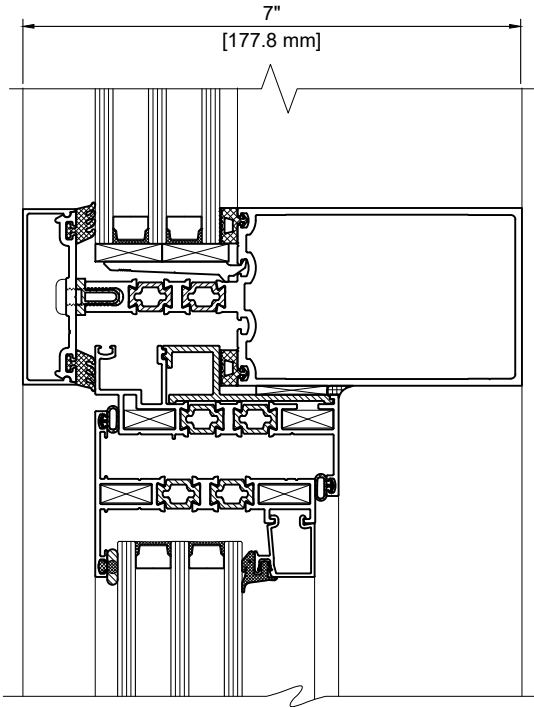
UniVent 1350

Typical details - triple vitrage
Détails typiques - triple vitrage

Index

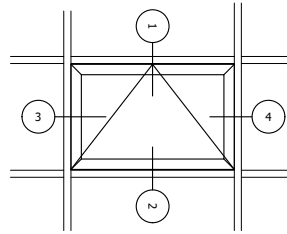
PROJECT - OUT UNIVENT 1350 INSTALLED IN CURTAIN WALL THERMAWALL 2600

UNE FENÊTRE OUVRANTE UNIVENT 1350 INSTALLÉE DANS LE MUR-RIDEAU THERMAWALL 2600

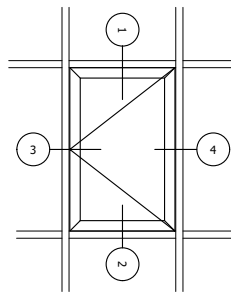


1

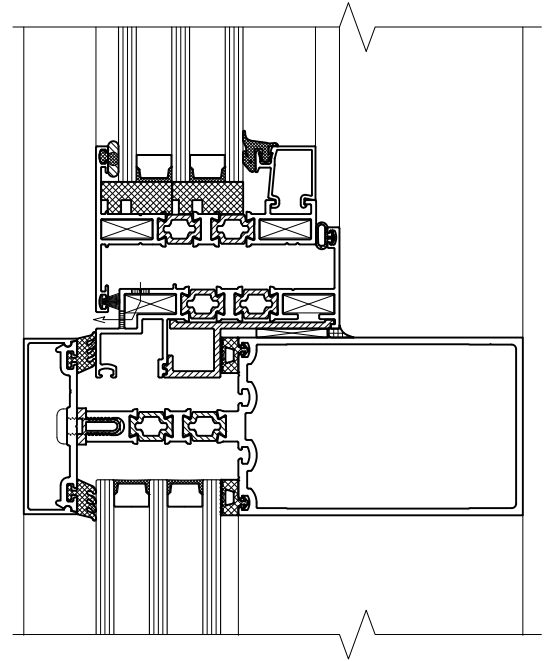
HORIZONTAL
 TRAVERSE HORIZONTALE



AWNING (THPO)
 FENÊTRE À AUVENT (PHOO)

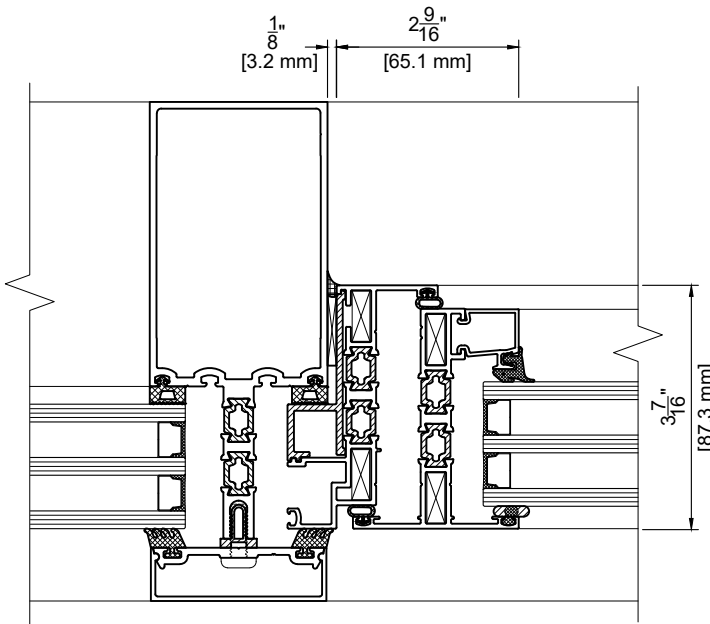


CASEMENT (SHOO)
 FENÊTRE (PCOO)



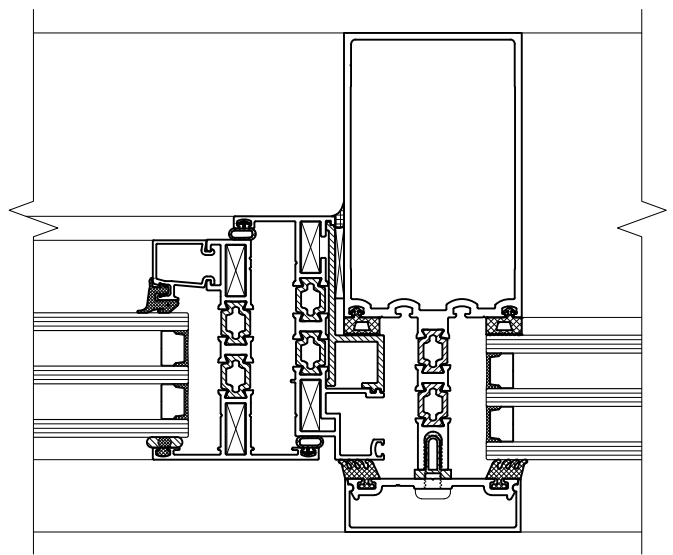
2

HORIZONTAL
 TRAVERSE HORIZONTALE



3

VERTICAL / VERTICAUX



4

VERTICAL / VERTICAUX

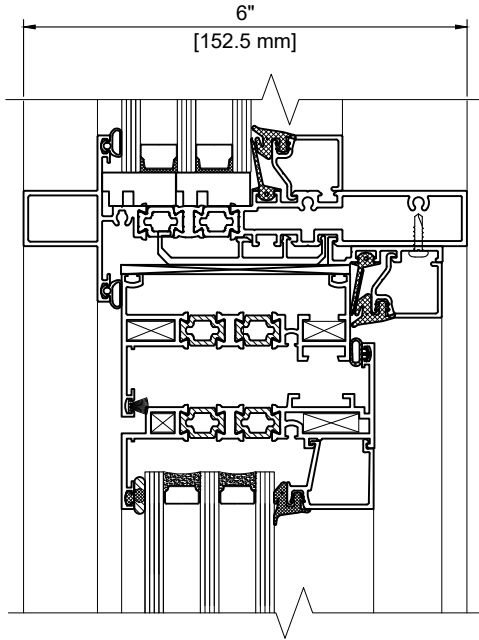
UniVent 1350

Typical details - triple vitrage
Détails typiques - triple vitrage

Index

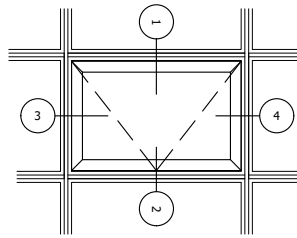
PROJECT- IN UNIVENT 1350 INSTALLED IN FIXED WINDOW RAINBLADE 1970

UNE FENÊTRE OUVRANTE UNIVENT 1350 INSTALLÉE DANS UNE FENÊTRE FIXE RAINBLADE 1970

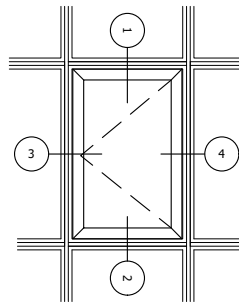


1

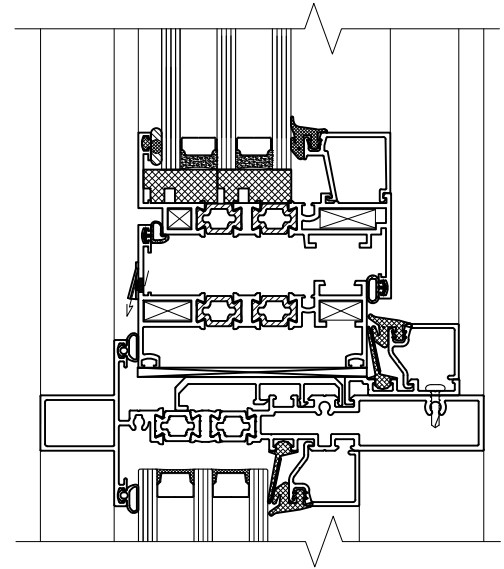
HORIZONTAL
 TRAVERSE HORIZONTALE



AWNING (BHPI)
 FENÊTRE À AUVENT (PBOI)

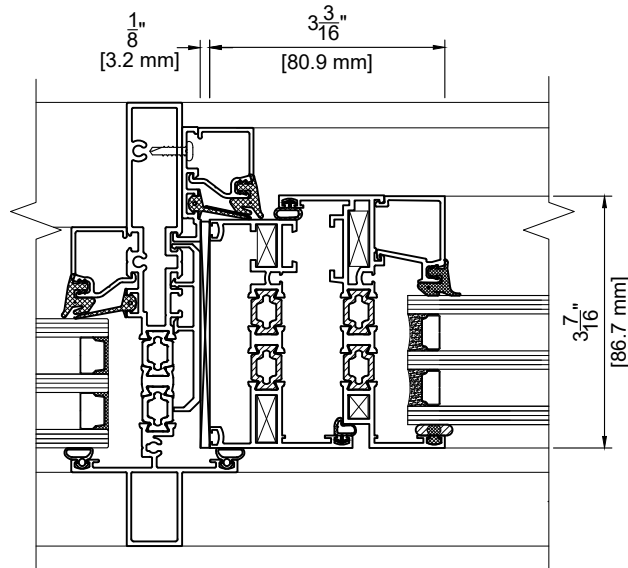


CASEMENT (SHOI)
 FENÊTRE (PCOI)



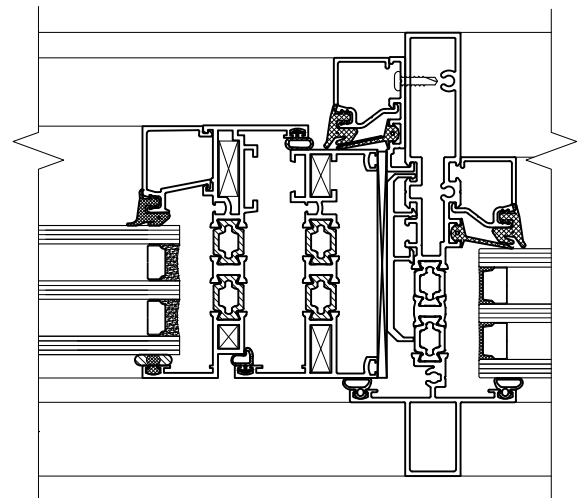
2

HORIZONTAL
 TRAVERSE HORIZONTALE



3

VERTICAL / VERTICAUX



4

VERTICAL / VERTICAUX

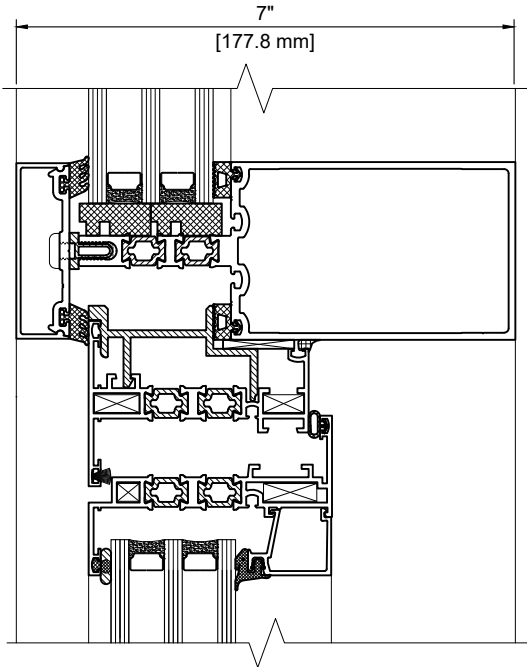
UniVent 1350

Typical details - triple vitrage
 Détails typiques - triple vitrage

Index

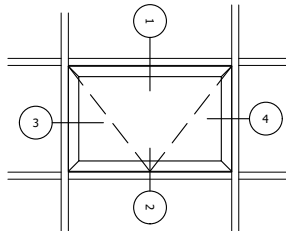
PROJECT-IN UNIVENT 1350 INSTALLED IN CURTAIN WALL THERMAWALL 2600

UNE FENÊTRE OUVRANTE UNIVENT 1350 INSTALLÉE DANS LE MUR-RIDEAU THERMAWALL 2600

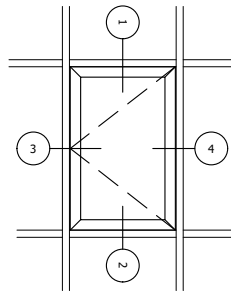


1

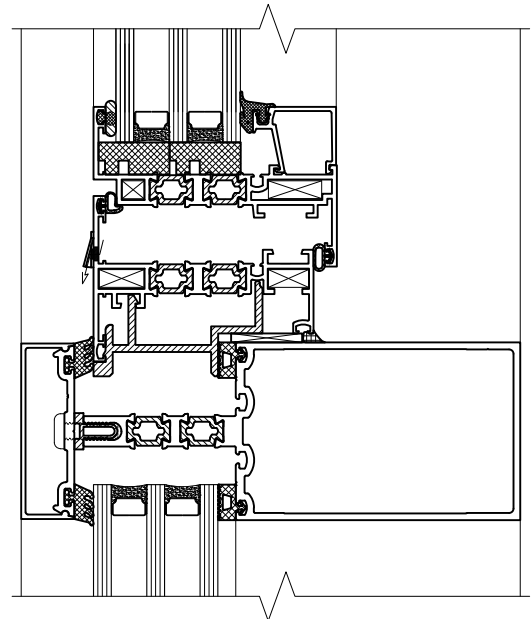
HORIZONTAL
 TRAVERSE HORIZONTALE



AWNING (BHPi)
 FENÊTRE À AUVENT (PBOi)

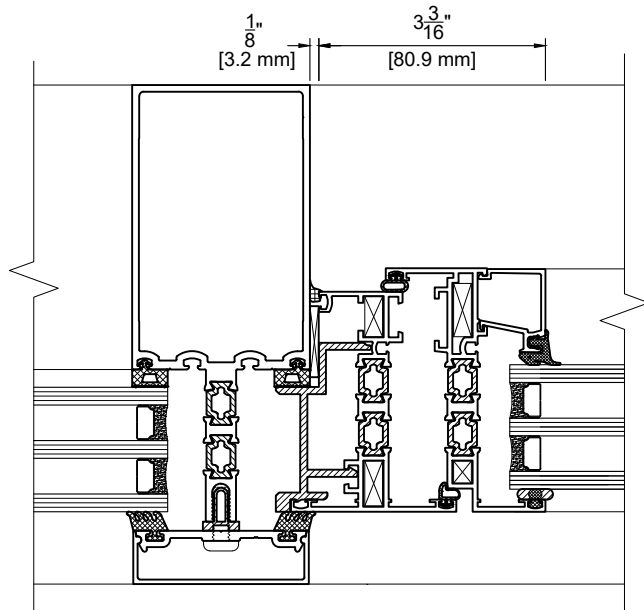


CASEMENT (SHOI)
 FENÊTRE (PCOI)



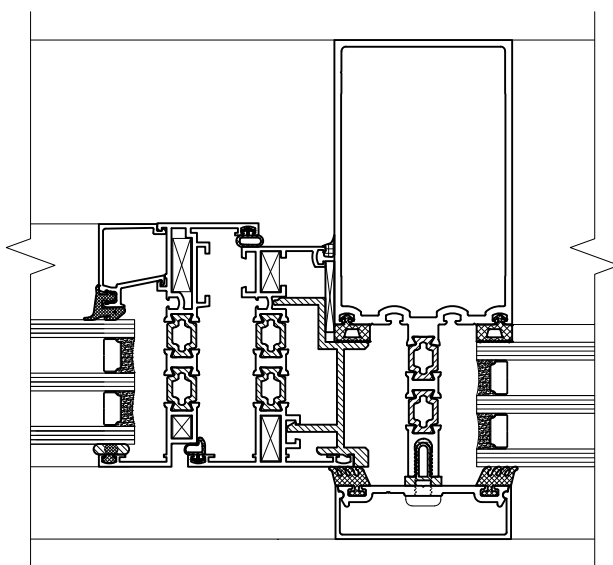
2

HORIZONTAL
 TRAVERSE HORIZONTALE



3

VERTICAL / VERTICAUX



4

VERTICAL / VERTICAUX