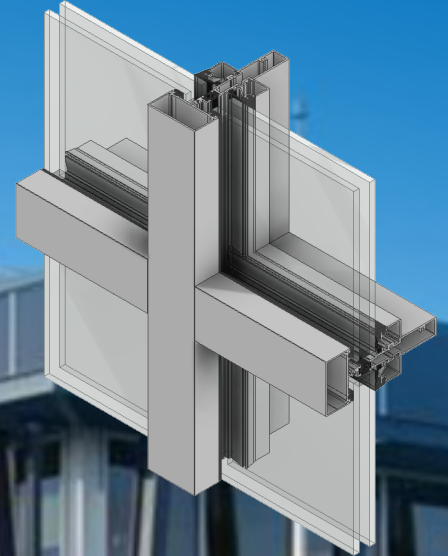




Shell Canada  
Fort Saint John, BC



# RainBlade 1990

Capped full rain screen design, interior glazed window



Catalogue Pages



Specifications



CAD Details

[www.alumicor.com](http://www.alumicor.com)

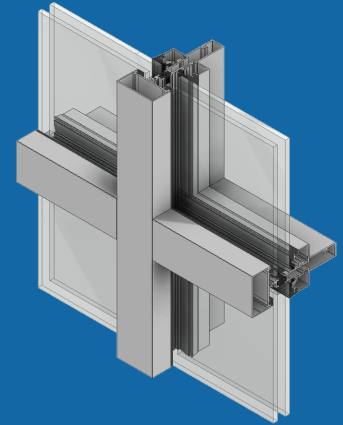
# RainBlade 1990



Capped full rain screen design, interior-glazed window

## Features & Benefits

- Capped full rain screen design, simulates a curtainwall's appearance
- For ribbon or punched opening applications
- High-performance polyamide strut thermal break
- Possibility of two-color finishes (interior/exterior)
- All Alumicor projected windows and specialty windows systems can be integrated
- Interior-glazed system
- 2 1/4 (57.2mm) Sight Line
- Frame depths of 5-1/4 (133.4 mm) for 1 (25.4mm) double-glazed system
- Frame depths of 6 (152.4 mm) for 1-3/4 (44.5mm) triple-glazed system
- All Alumicor projected windows and specialty windows systems can be integrated
- Head/sill receptor options
- Trouble-free notched fabrication
- Interior prime-seal gasket eliminates the need for sealant heel beads
- Strap anchor option makes installation easy
- Designed to readily accept Tremco Proglaze Engineered Transition Assembly (ETA)



### Alumicor RainBlade 1990 Product Specifications

**Application:** For punched opening applications.

**Description:** Flush-front high-performance rain screen design, interior-glazed fixed window.

| Face Width:                       | System Depth:  | Glass:   | Air:   | Water:           | Structural:  | U-Factor**                         |
|-----------------------------------|--|--|--|------------------|--|------------------------------------|
| Sight Line:<br>57.2mm<br>(2-1/4") | Dual Glazed:<br>133.4mm (5")<br>Triple Glazed:<br>152.4mm (6") | Dual Glazed:<br>25.4mm (1")<br>Triple Glazed:<br>44.5mm (1 3/4") | 0.006 L/s.m.2<br>(0.0127 cfm/ft2)<br>@300Pa (6psf) | 730Pa<br>(15psf) | Design:<br>3360Pa (70psf)<br>Overload:<br>5040Pa (105 psf) | See<br>U-Factor<br>Table<br>Online |

\*\* Refer to the U-Factor table at: [www.alumicor.com/products/fixed-windows/rainblade-1990/](http://www.alumicor.com/products/fixed-windows/rainblade-1990/) for other glass makeups and configurations.