

FINAL APPROVAL OF DESIGN  
and GUARANTEE OF SIZES  
We require your approval to proceed. Please Review, Sign,  
and Return these drawings indicating your Approval of Final  
Design and Guarantee of Final Sizes.

Approved By : \_\_\_\_\_  
Date : \_\_\_\_\_  
ALUMICOR WILL NOT FABRICATE YOUR  
ORDER UNLESS THESE DRAWINGS ARE SIGNED.

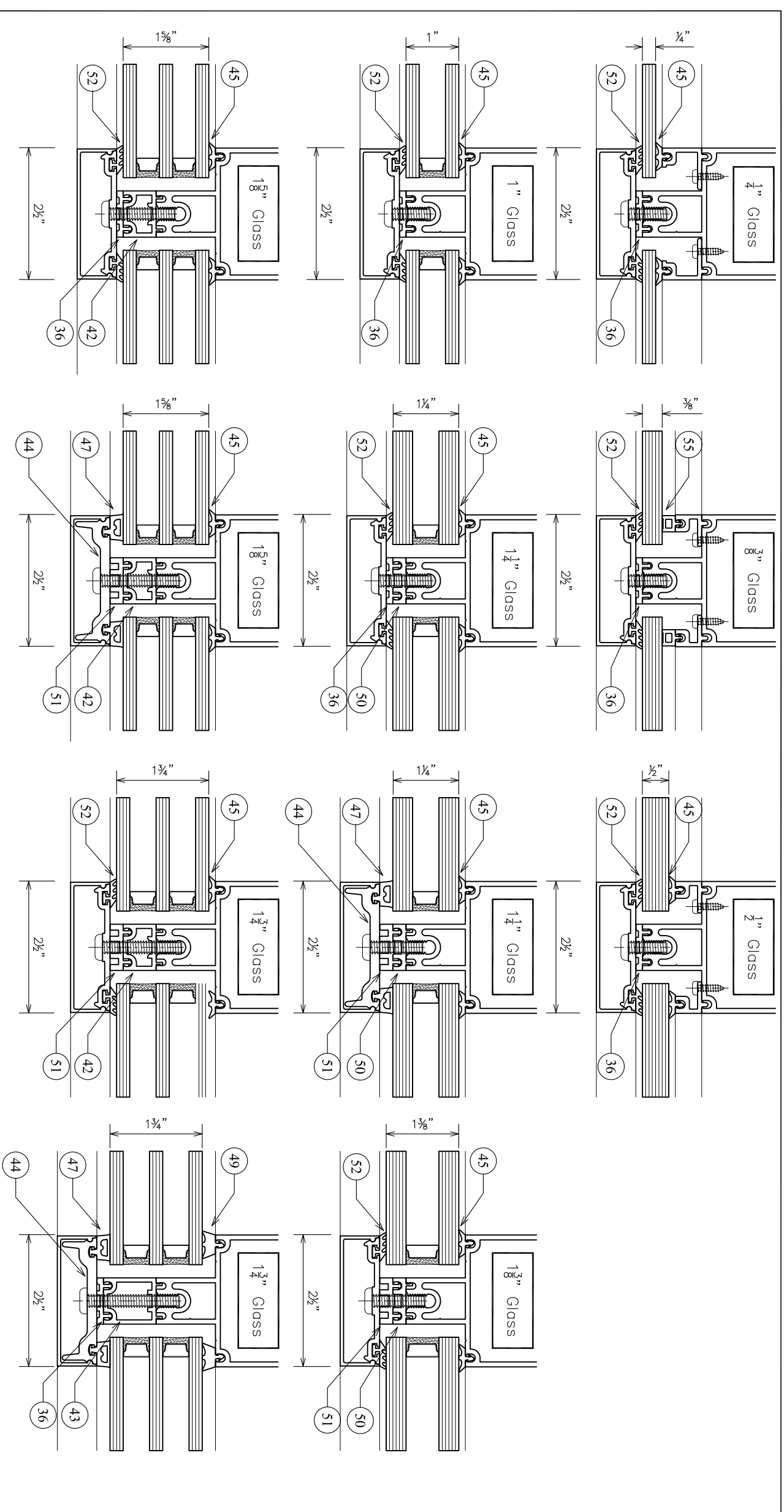
ALUMICOR ASSUMES NO RESPONSIBILITY AS TO DIMENSIONS  
OR DETAIL APPLICABLE AND DOES NOT ASSUME ANY  
RESPONSIBILITY FOR ANY DIMENSIONS THROUGH THE USE OF  
THIS DRAWING.

NOTE: DIMENSIONS ARE THE PROPERTY OF ALUMICOR LIMITED. ALUMICOR  
LIMITS ASSUMES NO RESPONSIBILITY FOR THE MERCHANTABILITY AND/OR  
FITNESS FOR ANY PARTICULAR USE. ANY USE NOT SPECIFICALLY  
MENTIONED IN THIS DRAWING IS NOT BE ADVISED IN ANYWAY WITHOUT  
THE WRITTEN PERMISSION OF ALUMICOR LIMITED. NO ASSUMPTION OF  
LIABILITY SHALL BE MADE BY ALUMICOR LIMITED FOR THE USE OF THE  
DRAWING. THE CUSTOMER TAKES SOLE RESPONSIBILITY FOR THE USE OF THE  
INFORMATION CONTAINED HEREIN.

REV	DATE	REVISION	BY
2	2021.01.21	Removed 2" thick glass & references	XC
1	2009.04.28	Re-issue with tags	BT

**Alumicor**  
33 Racine Road • Toronto, Ontario, Canada • M9W 2Z4  
T: 416-745-4222 F: 416-745-7199 TF: 1-877-258-6426

Project : \_\_\_\_\_  
Contractor : \_\_\_\_\_  
Architect : \_\_\_\_\_  
Drawing Title :  
Series 2500 Capped System  
Glass Depth Combinations  
First Issue : 2009.04.28 Drawn By: BT  
Scale: Full Checked By: \_\_\_\_\_  
TSD Sequence #: \_\_\_\_\_ Sales Order #: \_\_\_\_\_  
CPO File: \_\_\_\_\_ Issue #: 3  
Sheet #: GN100 Rev #: 2



36		2550003	SERIES 2500 $\frac{1}{8}$ " THERMAL BREAK BLACK FLEXIBLE P.V.C.	44		2550901	FIBER GLASS PRESSURE PLATE
39		2550303	SERIES 2500 CORNER PLUG BLACK EPDM 60 DUROMETER (NOTE: THE STANDARD CORNER PLUG IS DESIGNED & CUT FOR A STANDARD 1" THICK UNIT OF GLASS. WHEN USING LARGER GLASS, BE SURE TO PLUG UP THE OPENING CREATED BY THE DIFFERENCE ON GLASS THICKNESS.)	45		2552003	INTERIOR $\frac{1}{8}$ " GLAZING SPLINE BLACK EPDM
42		2550603	SERIES 2500 INFILL ADAPTOR FOR $\frac{1}{8}$ " & $\frac{1}{4}$ " GLAZING RIGID RIGID P.V.C.	47		2552903	$\frac{1}{8}$ " EXTERIOR GLAZING SPLINE FOR FIBER GLASS PRESSURE PLATE BLACK EPDM
				49		2553503	$\frac{1}{8}$ " INTERIOR EPDM GLAZING SPLINE (NON-SSG) BLACK EPDM
				50		2553703	SERIES 2500 $\frac{1}{4}$ " INFILL ADAPTOR (CUSTOM ORDER) BLACK RIGID P.V.C.
				51		2554101	SERIES 2500 $\frac{1}{4}$ " THERMAL BREAK GREY FLEXIBLE P.V.C.
				52		2249903	EXTERIOR PRESSURE PLATE GLAZING SPLINE BLACK EPDM
				55		2500G-52	$\frac{1}{8}$ " INTERIOR EPDM GLAZING SPLINE PEROXIDE CURED BLACK EPDM