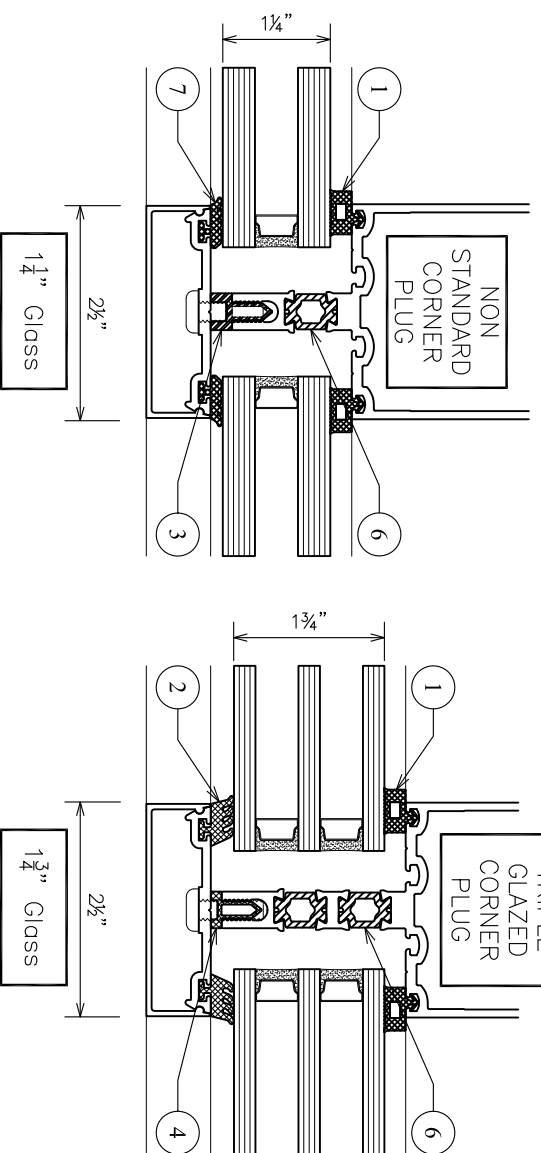
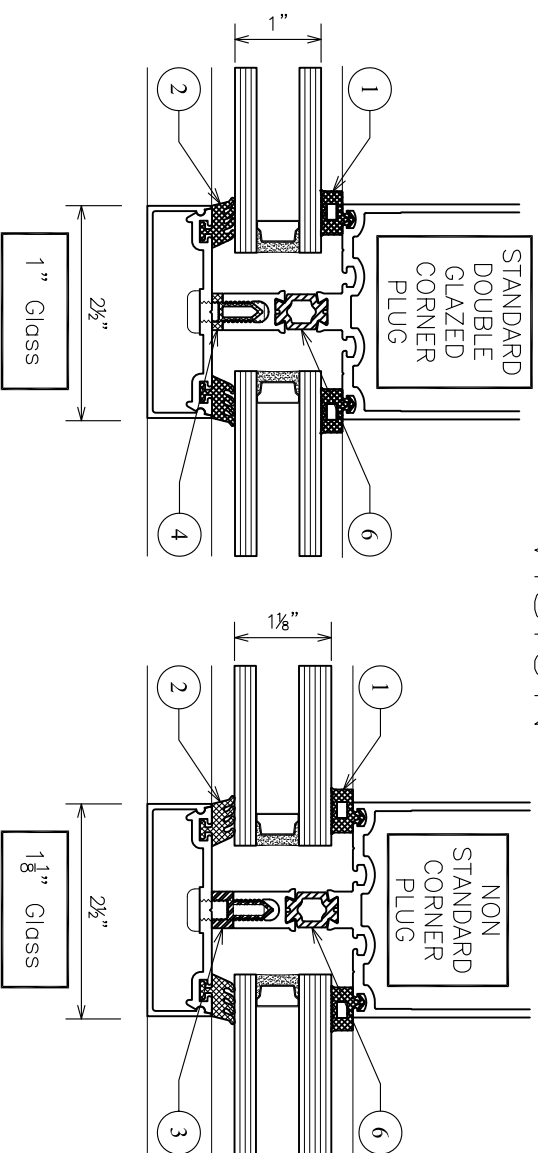
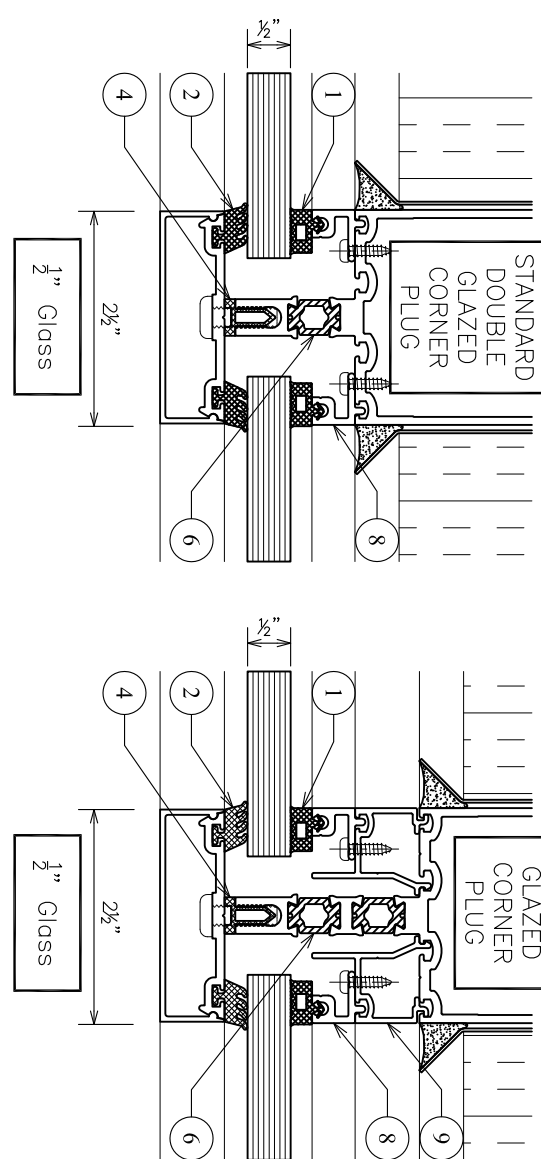
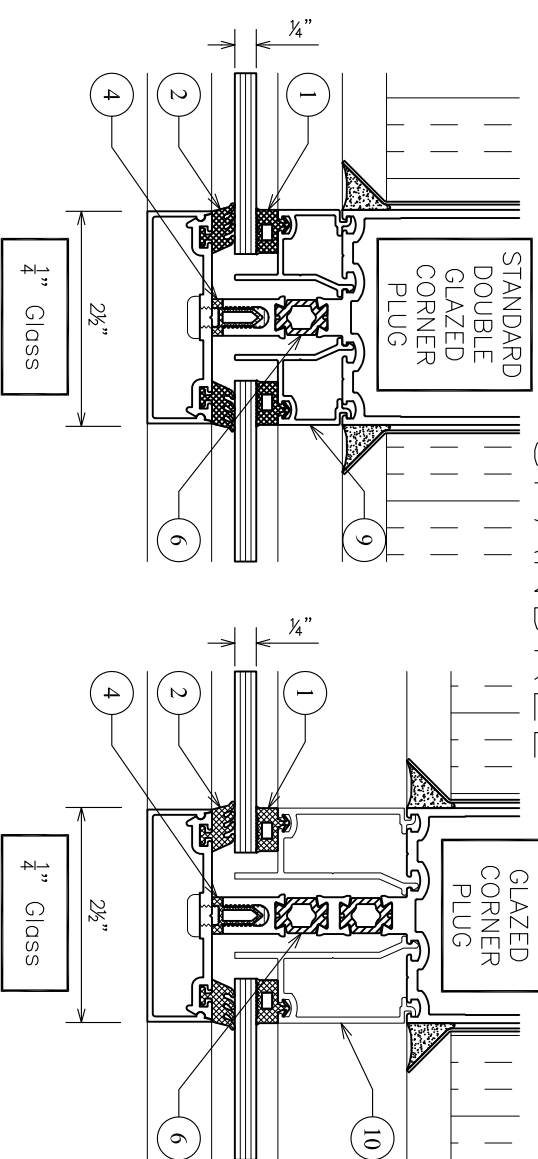




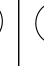







VISION

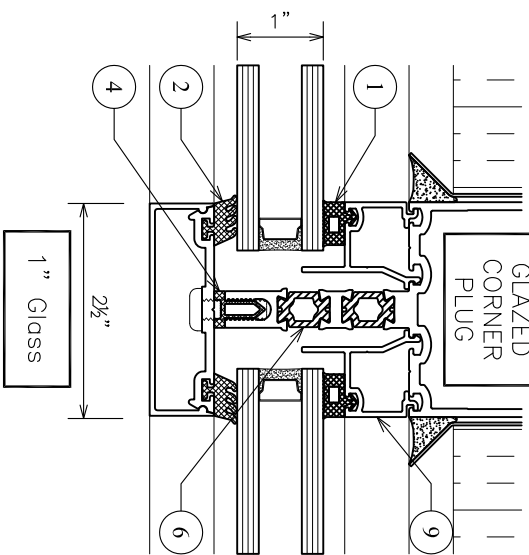


SPANDREL



	2653403	1/4" INTERIOR GLAZING GASKET
	2554203	1/4" EXTERIOR GLAZING GASKET
	2680703	1/4" THERMAL BARRIER
	2644103	1/4" THERMAL BARRIER
	2552003	INTERIOR 1/4" GLAZING SPLINE BLACK EPDM
	3400003	THERMAL BREAK
	2249903	1/4" EXTERIOR GLAZING GASKET

	2513200	SINGLE GLAZING ADAPTER FOR 1/4" GLASS
	2578700	SINGLE GLAZING ADAPTER FOR DOUBLE GLAZED SYSTEM CAPPED
	2578800	SINGLE GLAZING ADAPTER FOR TRIPLE GLAZED SYSTEM CAPPED



FINAL APPROVAL OF DESIGN AND GUARANTEE OF SIZES
We require your approval to proceed. Please Review, Sign, and Return these drawings indicating your Approval of Final Design and Guarantee of Final Sizes.

Approved By : _____
Date : _____
ALUMICOR WILL NOT FABRICATE YOUR ORDER UNLESS THESE DRAWINGS ARE SIGNED.

PLEASE PRINT ASSURES TO RESPONSIBILITY AS TO REPRESENTATIONS OF DESIGN, APPROVAL AND WORK SHALL BE OWN AND TO NOT BE REPRODUCED OR TRANSMITTED IN ANY FORM OR BY ANY MEANS, ELECTRONIC OR MECHANICAL, INCLUDING PHOTOCOPYING, RECORDING, OR BY ANY INFORMATION STORAGE AND RETRIEVAL SYSTEM.

NOTE: DRAWINGS ARE THE PROPERTY OF ALUMICOR LIMITED. ALUMICOR LIMITED ASSUMES NO RESPONSIBILITY FOR THE REPRESENTATIONS AND OR LIMITS OF LIABILITY. THE USER SHALL BE ADVISED IN ADVANCE WITHOUT LIABILITY TO ALUMICOR LIMITED. THE USER SHALL BE ADVISED THAT THE USER SHALL BE ADVISED BY A LICENSED PROFESSIONAL ENGINEER, NO ASSUMPTION OF LIABILITY SHALL BE MADE BY ALUMICOR LIMITED. THE USER SHALL BE ADVISED THAT THE USER SHALL BE ADVISED BY A LICENSED PROFESSIONAL ENGINEER, NO ASSUMPTION OF LIABILITY SHALL BE MADE BY ALUMICOR LIMITED. THE USER SHALL BE ADVISED THAT THE USER SHALL BE ADVISED BY A LICENSED PROFESSIONAL ENGINEER, NO ASSUMPTION OF LIABILITY SHALL BE MADE BY ALUMICOR LIMITED.

REV	DATE	REVISION	BY
1	2021.10.121	Removed 2" thick glass & references	XC

Alumicor
2900 Humblerline Dr. • Toronto, ON, Canada • M9W 5S2
T: 416-745-4222 F: 416-745-7199 TF: 1-877-258-6426

Project : _____
Architect : _____
Contractor : _____

Drawing Title:
Series 2600 Capped System
REVISED Corner Plugs

First Issue: 2014.03.31
Scale: Full
TSD Sequence #: _____
CAD File: _____
Sheet #: 1

REVISED 2021.01.21